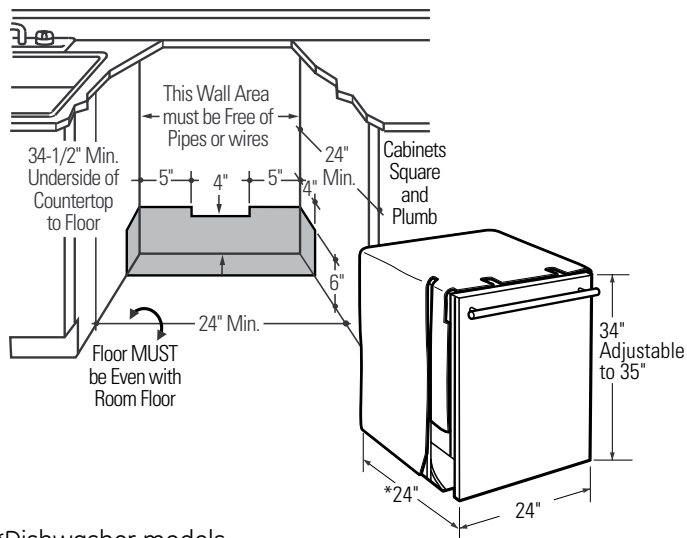


# ZBD8920DSS/ZBD8900DII GE Monogram® Fully Integrated Built-In Dishwashers

## Dimensions and Specifications (in inches)

- The dishwasher must be installed so that the drain hose is no more than 10 feet in length for proper drainage.
- Water and power supply should enter in the shaded area.
- Electrical and water connections are at the right front of the dishwasher. The hot water line should extend forward 30" to 40" from the rear wall. The electrical must extend forward at least 24" to reach the junction box.
- To prevent siphoning, an air gap must be used when the waste tee or disposer connection is less than 18" above the floor.



\*Dishwasher models ZBD6900 and ZBD8900 require a 3/4" thick custom panel and will be 24-3/4" deep.

## Electrical Requirements

The dishwasher must be supplied with 120V, 60Hz, and connected to an individual properly grounded branch circuit protected by a 15- or 20-amp circuit breaker or time-delay fuse.

For answers to your Monogram® Profile Series or GE appliance questions, visit our website at [geappliances.com](http://geappliances.com) or call GE Answer Center® service, 800.626.2000.



## Custom Panel for Model ZBD8900DII

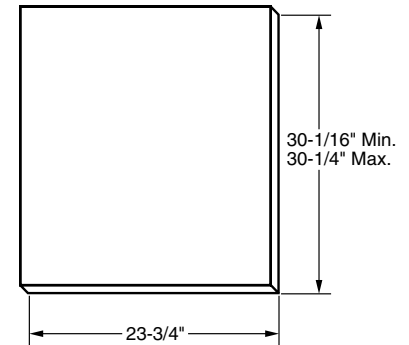
These dishwashers require a field installed 3/4" thick custom panel and custom handle. An installation template is packed with these models and may be obtained in advance. **Order Pub. No. 31-30569-1.** Complete panel installation instructions are included on the template.

## CUSTOM PANEL SIZE REQUIREMENTS

### HEIGHT

Panel height must be between **30-1/16" and 30-1/4"**.

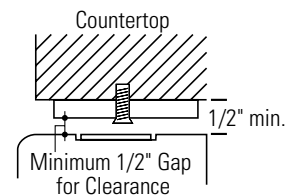
- If the panel height is more than 30-1/4" it will prevent the door from swinging open.
- If the panel height is less than 30-1/16" it will not cover the dishwasher door frame.
- The top of the custom panel must be flush with the top of the door. The 1/2" minimum gap between the top of the door and the bottom of the countertop must be maintained.



### WIDTH

Panel width must be **23-3/4"**.

- If the panel width is less than 23-3/4" it will not cover the dishwasher frame.



**IMPORTANT: To ensure optimum door balance performance, the custom panel must not weigh more than 14 lbs.**

### Accessories for custom panel model ZBD8900

ZPR0700S door panel provides a professional-style handle on a stainless steel door panel.  
ZTB700 stainless steel tubular handle for installation onto a custom panel.

**Before installing refer to installation instructions for details. Pub. No. 31-30586**



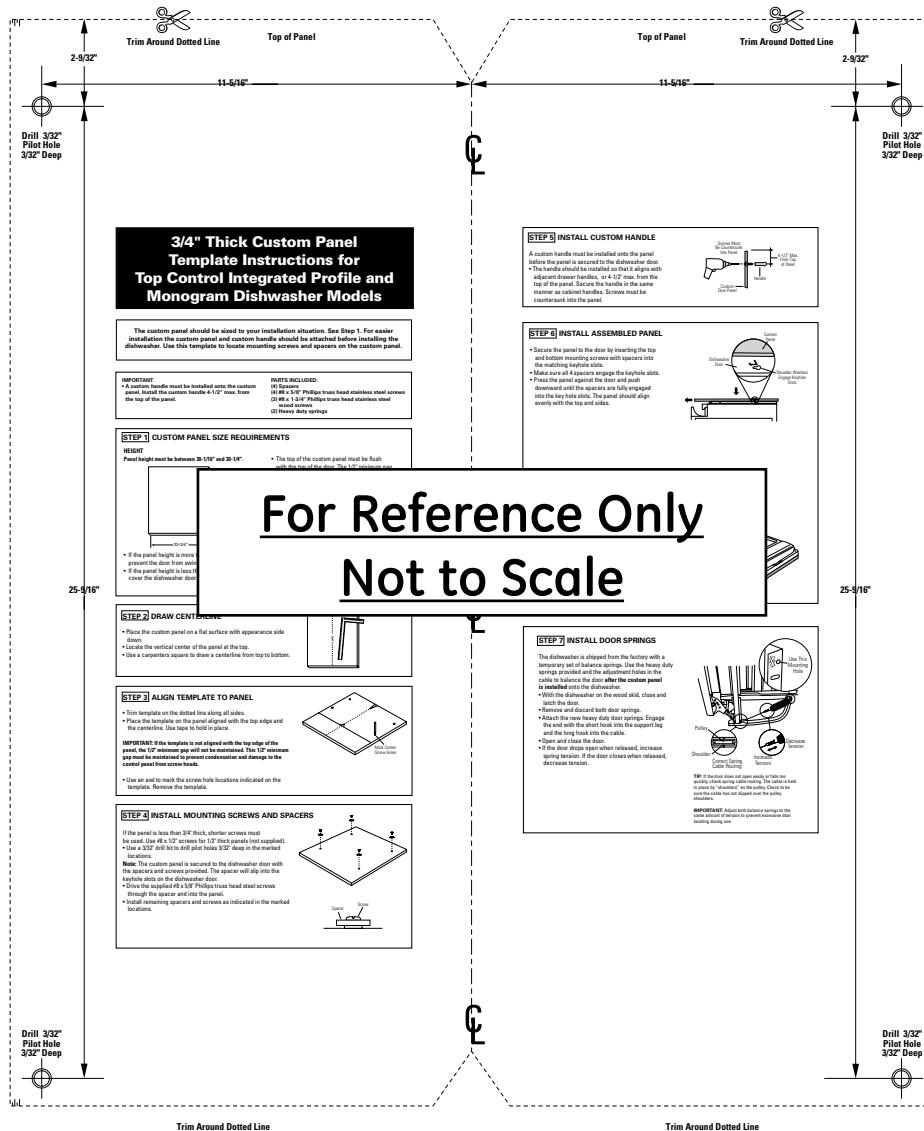
As an ENERGY STAR® partner, GE has determined that this product meets the ENERGY STAR guidelines for energy efficiency.



Listed by Underwriters Laboratories

# ZBD8900DII GE Monogram® Fully Integrated Built-In Dishwashers

## Custom Dishwasher Door Panel Template GE PUB. NO. 31-30569-1



Order GE Pub. No. 31-30569-1

**CALL 1-800-626-2000**

For a full-size panel template with complete panel installation instructions.

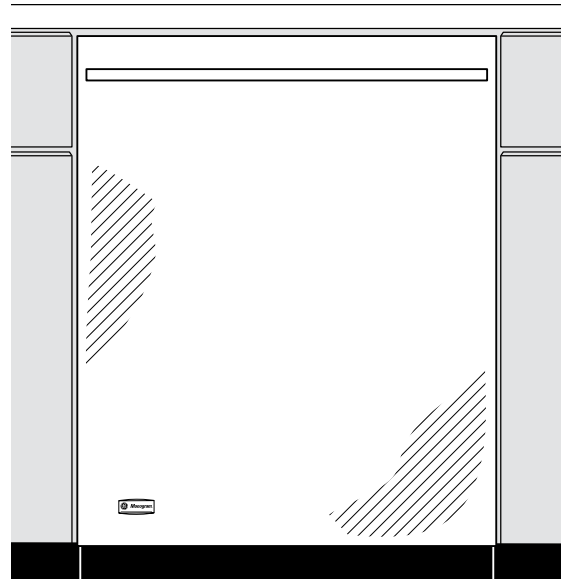


# ZBD8920DSS/ZBD8900DII

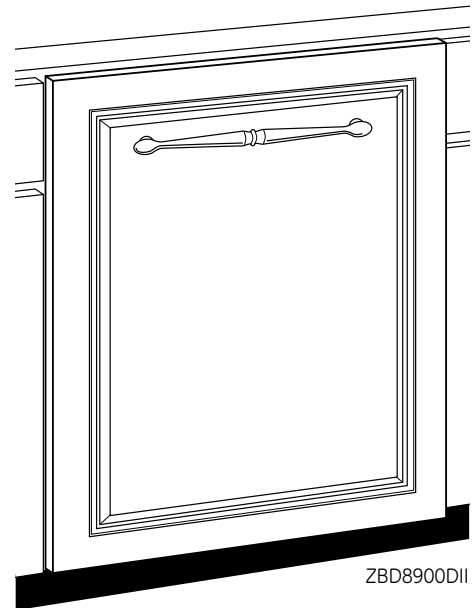
## GE Monogram® Fully Integrated Built-In Dishwashers

### Features and Benefits

- Bulk-dispense technology - Automatically dispenses the right amount of detergent based on soil level and water hardness, with every cycle, even during every pre-wash; The bulk dispense system is located on the inner door and holds up to 47 fluid ounces of liquid for 30 days
- High-intensity Xenon lights - Illuminate the entire interior, leaving no question as to whether or not dishes have been cleaned
- Steam prewash option - Helps loosen tough soils before any cycle; Automatically runs with the selection of the Scour Wash cycle or can be selected as an option before any cycle
- Quiet operation - Is made possible by advanced sound-absorbing materials and a smooth-running motor
- ENERGY STAR® qualification - As an ENERGY STAR® partner, GE has determined that all Monogram full-size dishwashers meet the ENERGY STAR® guidelines for energy efficiency and water conservation (CEE Tier II certified)
- Scour wash cycle - Combines steam, bulk detergent dispensing and a hot-wash rinse to scrub away hard-to-remove foods and reduce 99.9% of bacteria
- Large sized interior - Provides the space and loading flexibility necessary to accommodate 16 place settings
- Full-extension upper rack with fold-down tines - Full-extension upper rack with fold-down tines
- Versatile lower rack with adjustable or fold-down tines - Designed to glide smoothly in and out, even with the addition of deep bowls and pots
- Stainless steel tub - Retains its attractive shine cycle after cycle, year after year
- Model ZBD8920DSS – Stainless steel
- Model ZBD8900DII – Requires custom panel
- Accessory: ZPRO0700S – Professional-style stainless steel door panel kit
- Accessory: ZTB700 – Stainless steel tubular handle kit



ZBD8920DSS



ZBD8900DII



imagination at work