

PGS950SEF/EEF

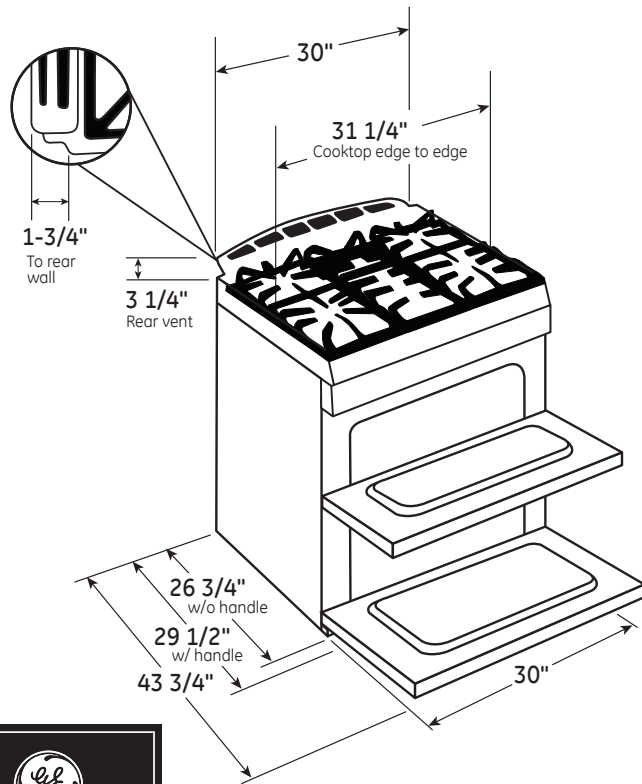
GE Profile™ Series 30" Slide-In Double Oven Gas Range

DIMENSIONS AND INSTALLATION INFORMATION (IN INCHES)

NOTE: Door handle protrudes 3" from door face. Cabinets and drawers on adjacent 45° and 90° walls should be placed to avoid interference with the handle.

NOTE: Cabinets installed adjacent to slide-in ranges must have an adhesion spec of at least 194° temperature rating.

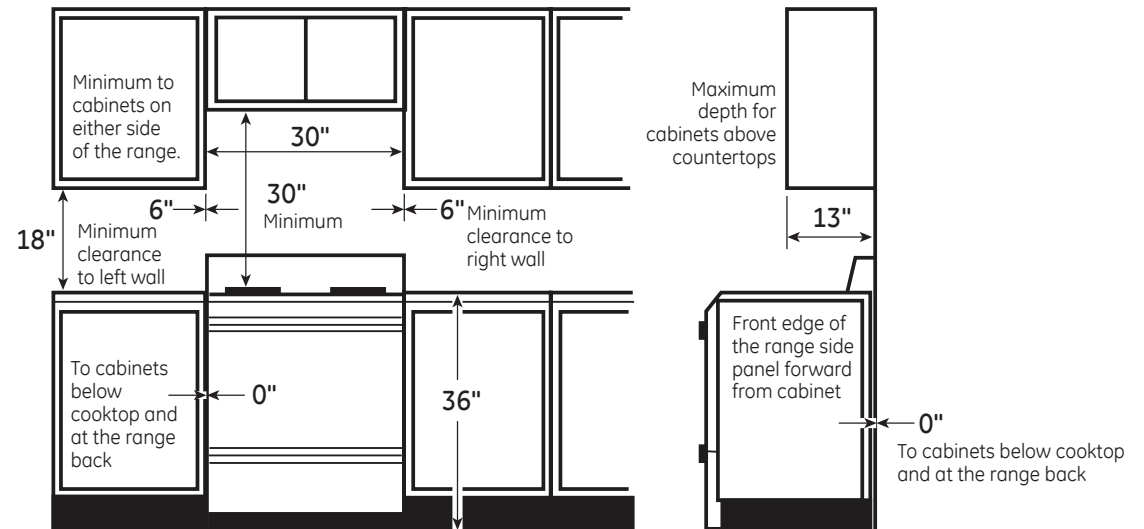
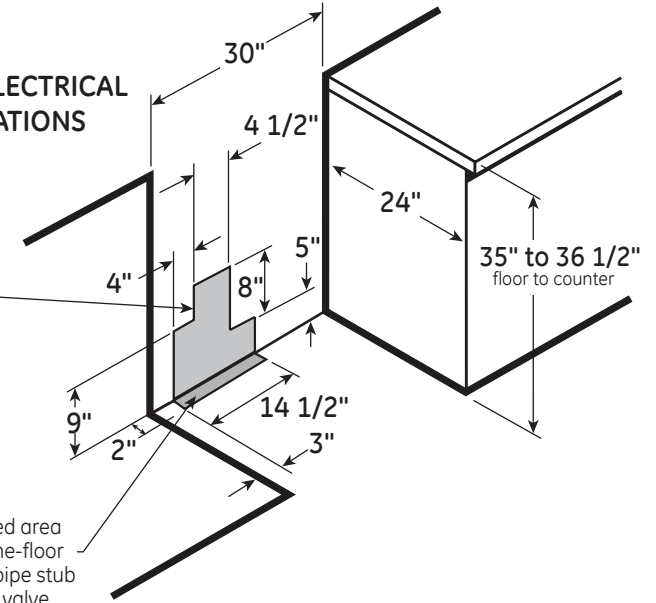
INSTALLATION INFORMATION: Before installing, consult installation instructions packed with product for current dimensional data.



GAS PIPE AND ELECTRICAL OUTLET LOCATIONS

Recommended area for 120V outlet on rear wall and area for through-the-wall connection of pipe stub and shut-off valve.

Recommended area for through-the-floor connection of pipe stub and shut-off valve.



For answers to your Monogram, GE Café™ Series, GE Profile™ Series or GE Appliances product questions, visit our website at geappliances.com or call GE Answer Center® Service, 800.626.2000.



All GE ranges are equipped with an Anti-Tip device. The installation of this device is an important, required step in the installation of the range.

PGS950SEF/EEF

GE Profile™ Series 30" Slide-In Double Oven Gas Range

FEATURES AND BENEFITS

Double oven 6.8 cu. ft. total capacity – Large capacity is ideal for big meals

20,000 BTU tri-ring burner – Offers the flexibility of three different burners

Center oval burner – Large oval fifth burner is ideal for griddle or odd-size cookware

Reversible cast-iron Griddle/Grill – Two great ways to cook

Precise simmer burner – Delicate foods don't burn with low, even heat

Deep-recessed cooktop – Contains spills for quick and easy cleaning

Gas convection oven – Circulates heat for high-quality results

Heavy-duty self-clean roller rack – Easily access items with racks that glide smoothly

Dual broil – Meats and veggies broil evenly

Black gloss oven interior – Enjoy a clean and sleek appearance

Model PGS950SEFSS - Stainless steel

Model PGS950EEFES - Slate

