

# CGS980SEMSS

## GE Café 30" Free-Standing Range with Baking Drawer

### Dimensions and Installation Information (in inches)

#### Electrical Requirements: 120v; 60Hz, 15A

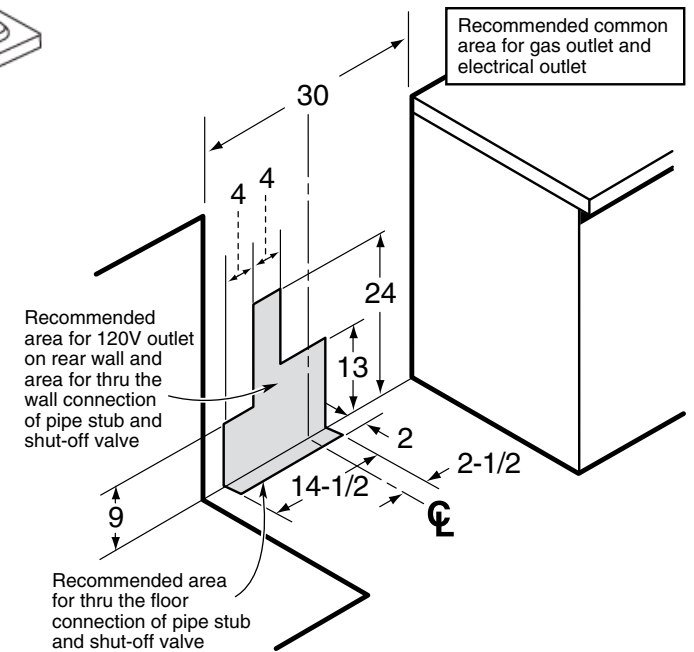
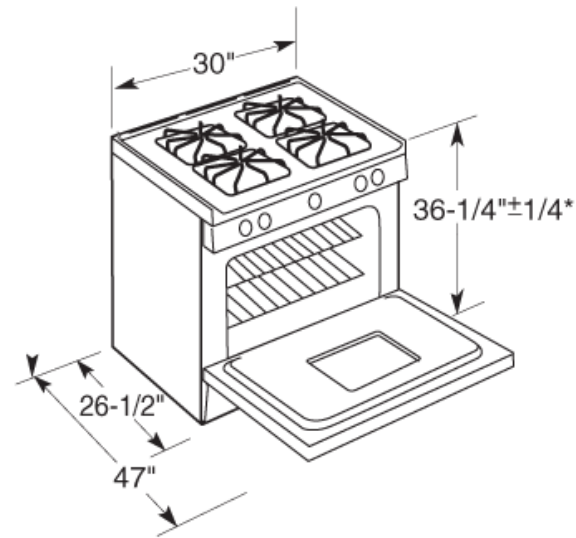
Effective January 1, 1996, the National Electrical Code requires that new construction (not existing) utilize a 4-conductor connection to an electric range.

**Receptacle Locations:** Locally approved flexible service cord or conduit must be used because terminals are not accessible after range installation. See shaded area in drawing for location of electrical outlet box. Recommended outlet locations allow range to be installed directly against wall.

**Note:** 30" ranges conform to U.L. requirements for 0" spacing from adjacent walls below countertops. To reduce possibility of scorching walls, engineering recommends a minimum of 1-1/2" spacing to allow for possible extended, high-heat, no-load heating element operation.

**Installation information:** Before installing, consult installation instructions packed with product for current dimensional data.

**Optional accessories:** Tall backguard JXS8055 (Available at additional cost)



For answers to your Monogram®, GE Profile™ or GE® appliance questions, visit our website at [geappliances.com](http://geappliances.com) or call GE Answer Center® service, 800.626.2000.



imagination at work



All GE ranges are equipped with an Anti-Tip device. The installation of this device is an important, required step in the installation of the range.

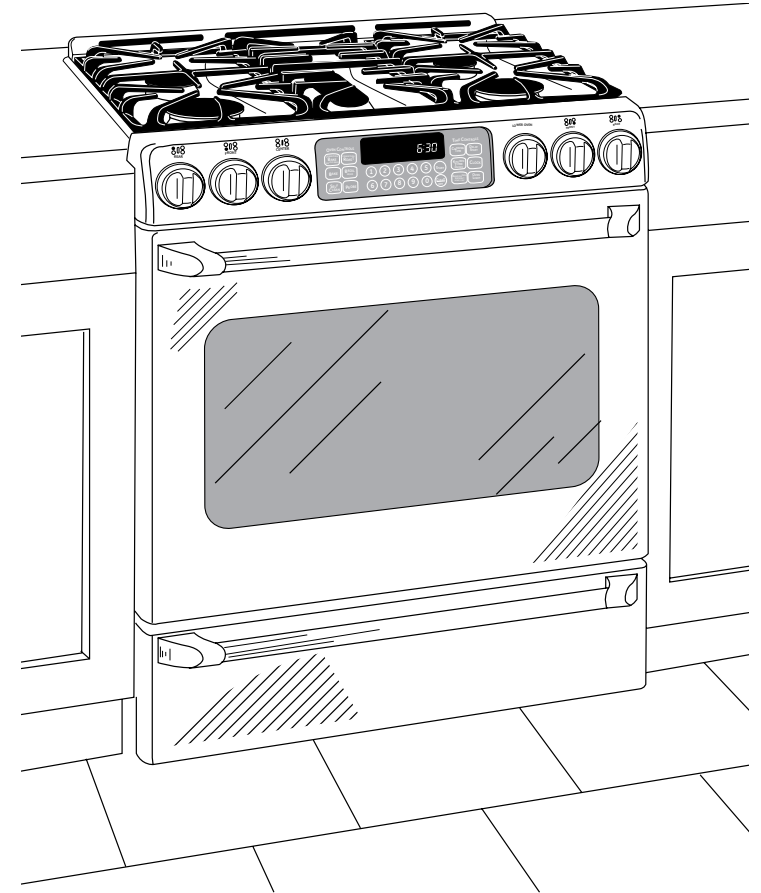


# CGS980SEMSS

## GE Café 30" Free-Standing Range with Baking Drawer

### Features and Benefits

- Gas Convection Oven - Convection heating circulates the air to keep the heat consistent, enhancing the baking or roasting results
- 5.0 cu. ft. Oven Capacity - Provides a large oven interior ideal for cooking more items at once
- Self-Clean Oven - Conveniently cleans the oven cavity without need of scrubbing
- Deep-Recessed Cooktop - Designed with a recessed surface to help contain spills and make cleaning easy
- 18,000 BTU dual-flame stacked burner - Fast boiling or gentle 140 degrees simmering
- PowerBoil™ 17,000 BTU Burner - Delivers 17,000 BTUs of forceful heat for rapid boiling
- High Output Burner - Provides a powerful burner output for efficient heat-up and boiling
- Center Oval Burner with non-stick griddle - Ideal for pancakes, bacon, sandwiches and more
- Baking Drawer - Offers an additional 1.0 cu. ft. of capacity for convenient baking from 140 degrees to 450 degrees
- Range Lockout
- Model CGS908SEMSS - Stainless steel



imagination at work