

PEB2060DM

GE Profile™ Series 2.0 Cu. Ft. Countertop Microwave Oven

Dimensions and Installation Information (in inches)

Exterior Dimensions (in inches)	
W x H x D	24 x 13-3/4 x 19-3/8

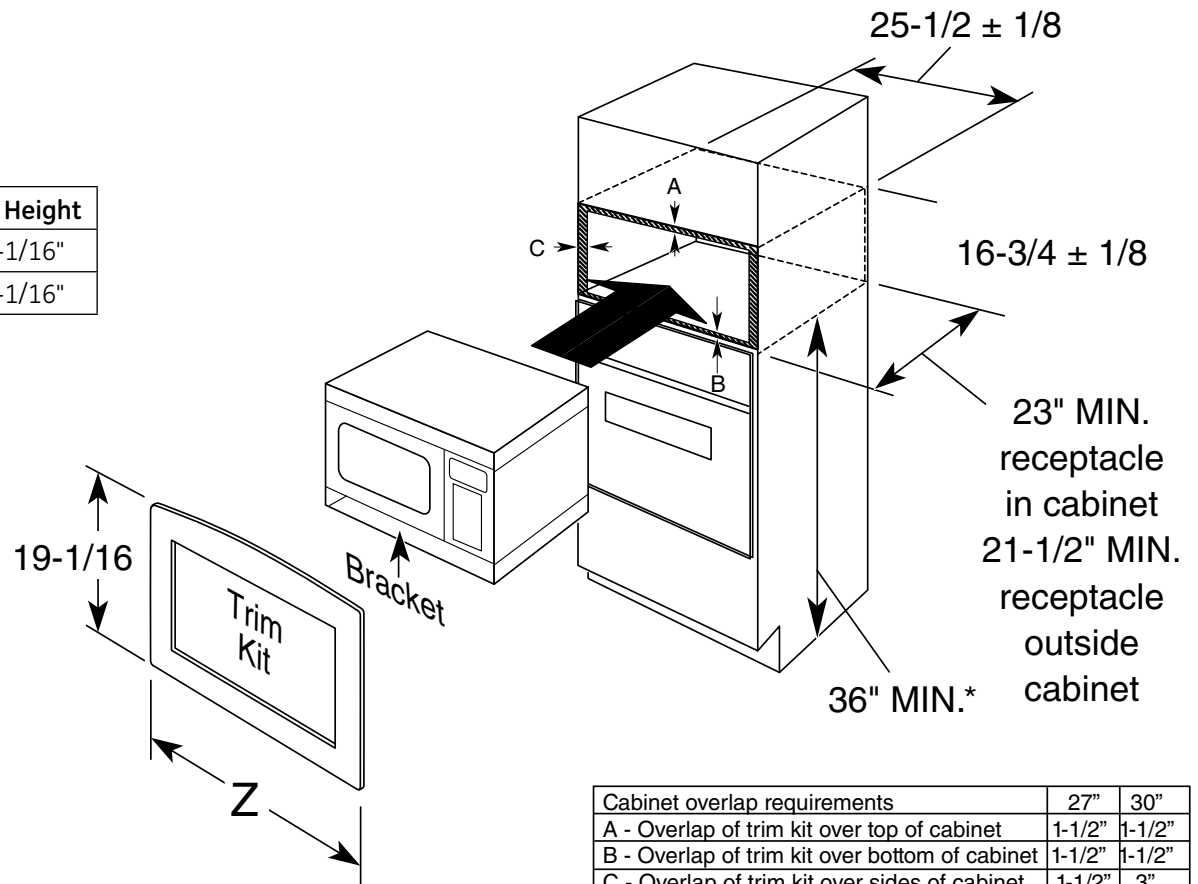
Accessory trim kits	"Z"	Trim Kits	Max Height
30" Deluxe	29-3/4"	JX2030DMWW/CC/BB	19-1/16"
27" Deluxe	26-15/16"	JX2027DMWW/CC/BB	19-1/16"

Optional Accessory Trim Kits for 2.0 GE Microwave Ovens (Available at additional cost)

For a custom built-in appearance, these kits allow built-in installation of the countertop microwave oven into a wall or cabinet alone and are U.L. approved for installation over a GE single electric wall oven. These kits should not be installed over a gas wall oven.

Note: 120V, 60-cycle, grounded power receptacle location optional on back within cabinet opening.

Installation Information: This information is not intended to be used for installing unit described. Before installing, consult installation instructions packed with product/kit for current dimensional data.



*For ADA compliance, the microwave must be installed no higher than 37".

Note:
Allow an additional inch of clearance beyond trim frame on all sides



For answers to your Monogram®, GE Profile™ or GE® appliance questions, visit our website at geappliances.com or call GE Answer Center® service, 800.626.2000.

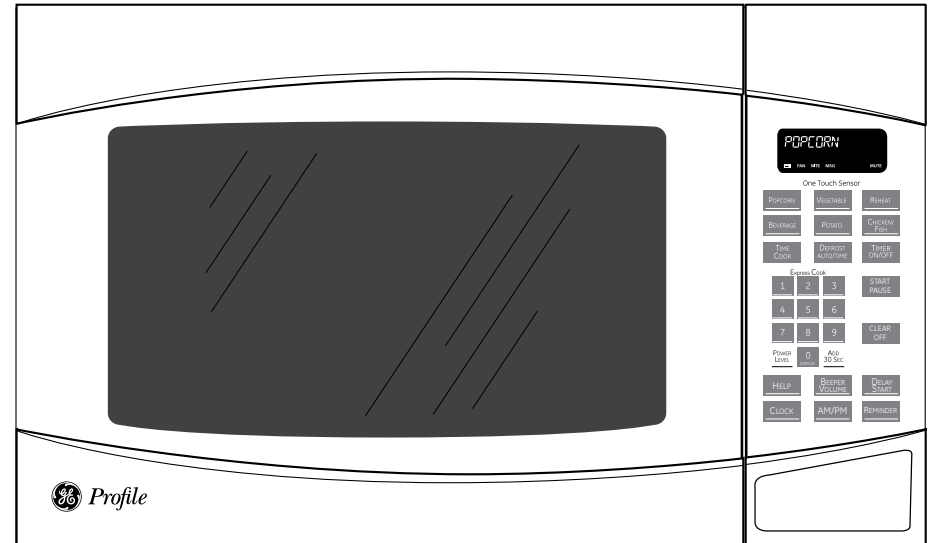


PEB2060DM

GE Profile™ Series 2.0 Cu. Ft. Countertop Microwave Oven

Features and Benefits

- 2.0 Cu. Ft. Capacity - 1200 Watts (IEC-705 test procedure)
- Sensor Cooking Controls - Automatically adjust the time and power for exceptional cooking results
- Optional Trim Kit - Offers a built-in appearance of a countertop model
- Auto and Time Defrost - Automatically defrosts for a specified amount of time
- Turntable - Continually rotates food to ensure even cooking
- Instant On Controls - Allow quick, one-touch cooking and reheating
- Child Lock Out - Enables you to lock the keypad to prevent the oven from being accidentally started
- Kitchen Timer - Operates as a minute timer and can be used at any time, even when the oven is operating
- Add 30 Seconds - Increases cooking times with one touch
- Electronic Touch Controls - Offer easy point-and-cook convenience
- Model PEB2060DMWW – White on white
- Model PEB2060DMCC – Bisque on bisque
- Model PEB2060DMBB – Black on black



imagination at work



Listed by
Underwriters
Laboratories