

PSB1200NBB/WW

GE Profile Advantium® 120 Volt - 30" Wall Oven

Advantium wall oven/GE Profile cooking tower dimensions and cabinet installation information (in inches)

Note: 2" minimum between cutouts when installed above warming drawer or single wall oven.

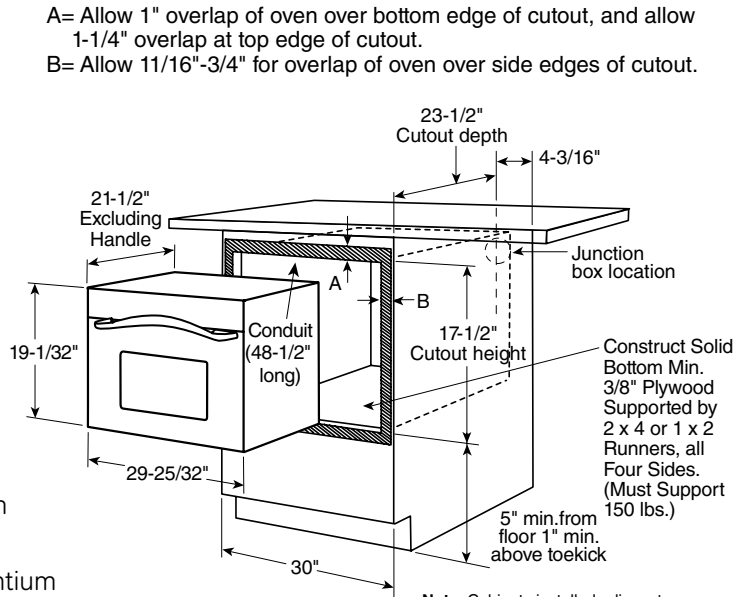
Installation Information:

Before installing, consult installation instructions packed with product for current dimensional data.

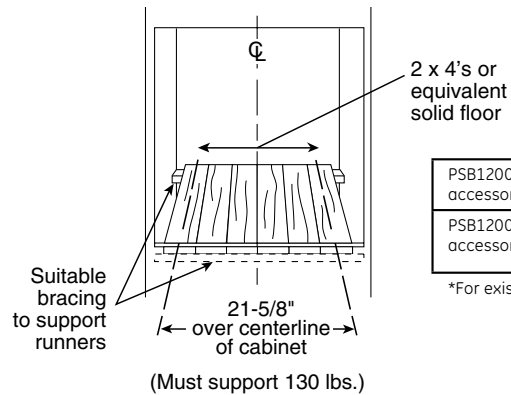
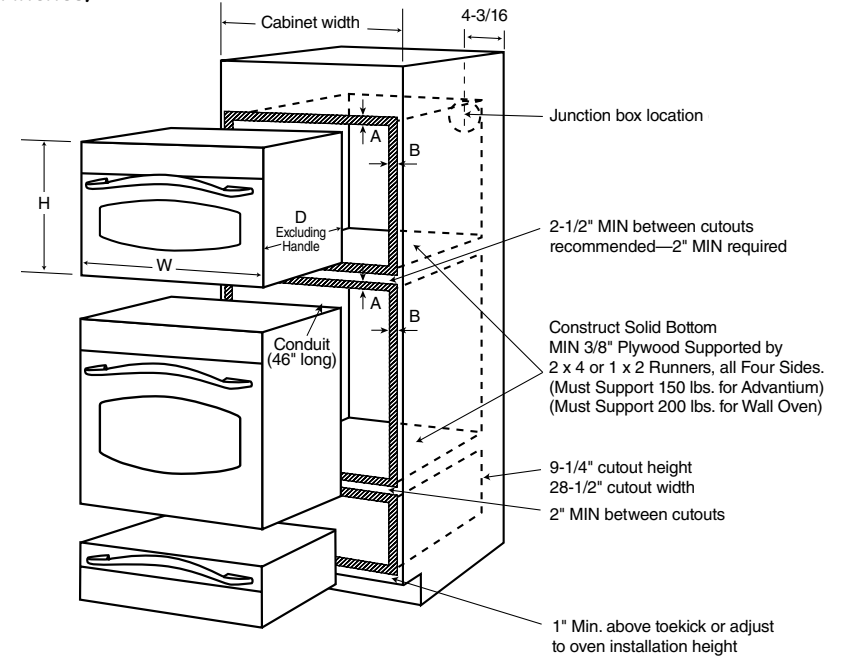
Note: PSB1200/1 series Advantium can be installed below GE/GE Profile non-downdraft gas and electric cooktops. It CANNOT be installed below induction or Monogram (2GU3841385) gas cooktops.

Note: PSB1200/1 series Advantium oven comes with two lower trim pieces. One is for use above 36-inch height installations and one is for use below 36-inch installations. Use of the accessory drawer will replace the bottom trim piece for applicable installations. Please see installation instructions for full details.

For answers to your Monogram,® GE Profile™ or GE® appliance questions, visit our website at ge.com or call GE Answer Center® service, 800.626.2000.



Note: Cabinets installed adjacent to wall ovens must have an adhesion spec of at least 194° F temperature rating.



	Cabinet Width (inches)	W Width	H Height	D Depth (excluding handle)	X Cutout Width	Y Cutout Height	Z Cutout Depth (minimum)
PSB1200/1 without accessory drawer	30	29-25/32	19-1/8	21-3/4	25-1/8	17-1/2	23-1/2
PSB1200/1 with accessory drawer	30	29-25/32	22-1/4	21-3/4	25-1/8 to 28-1/2*	21	23-1/2

*For existing cutouts a maximum width of 28-1/2" is acceptable



imagination at work



Listed by Underwriters Laboratories

PSB1200NBB/WW

GE Profile Advantium® 120 Volt - 30" Wall Oven

Preparation WITH an Accessory Drawer

Prepare the opening

The Advantium PSB1200/1 series can be installed in combination with other GE/Monogram appliances. Always follow each product's Installation Instructions to complete the installation.

Single Oven Installation:

Order a 30" wide single oven cabinet or cut the opening in a wall to the dimensions shown.

* For existing cutouts, a maximum width of 28-1/2" is acceptable. If the opening is slightly wider, secure a furring strip on each side of the cutout for securing the oven.

- Allow 3/4" to 2-1/8" case trim overlap on the sides and 7/8" overlap on the bottom of the opening for all models. The amount of overlap on the sides depends on the actual cutout width. Allow 1-1/4" case trim overlap on the top for models PSB1200 and PSB1201 and for models ZSC1201 and ZSC1202.

- Oven overlaps will conceal cut edges on all sides of the opening.

Note: PSB1200/1 series Advantium can be installed below GE/GE Profile non-downdraft gas and electric cooktops. It CANNOT be installed below induction or Monogram (2GU3841385) gas cooktops.

Note: PSB1200/1 series Advantium oven comes with two lower trim pieces. One is for use above 36-inch height installations and one is for use below 36-inch installations. Use of the accessory drawer will replace the bottom trim piece for applicable installations. Please see installation instructions for full details.

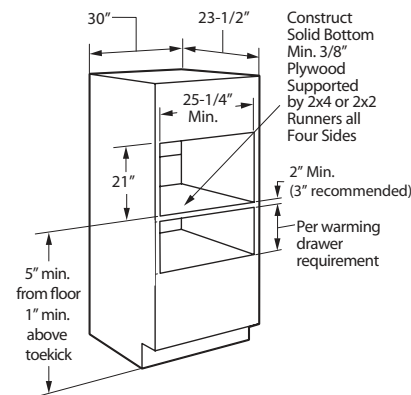
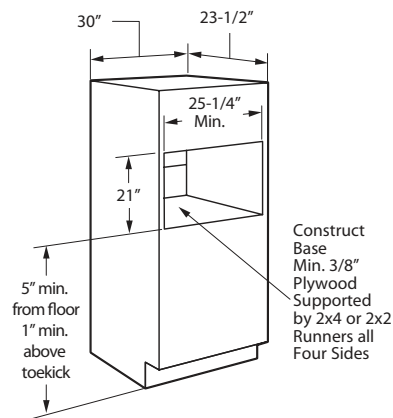
For answers to your Monogram®, GE Profile™ or GE® appliance questions, visit our website at ge.com or call GE Answer Center® service, 800.626.2000.



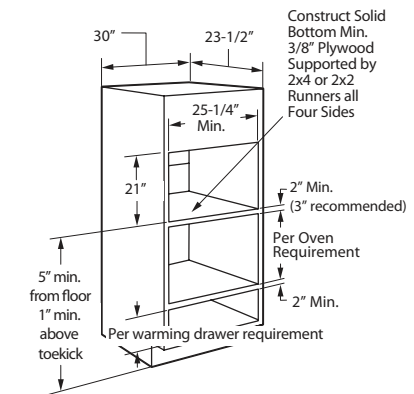
Prepare the opening (cont.)

When installed over a single oven or a warming drawer, allow at least 2" between the two openings. This separation will provide clearance for bottom overlap of the Advantium and the other appliance overlaps. Construct a solid oven floor of 3/8" min. thick plywood supported by 2 x 4 or 2 x 2 runners on all sides.

- the support must be level and rigidly mounted, flush with the bottom edge of the cutout.



Installation over a GE/Monogram Oven and Warming Drawer:



Note: Additional clearances between the cutouts may be required. Check to be sure the oven supports above the Warming Drawer location do not obstruct the required interior depth and height. See Warming Drawer installation instructions for details.

CAUTION: For personal safety, the mounting surface must be capable of supporting the cabinet load, in addition to the added weight of this approximate 80-pound oven and 30-pound drawer, plus additional oven loads of up to 50 pounds or a total weight of 160 pounds.

Note: Additional clearances between the cutouts may be required. Check to be sure the oven supports above the Warming Drawer location do not obstruct the required interior depth and height. See Warming Drawer installation instructions for details.



PSB1200NBB/WW

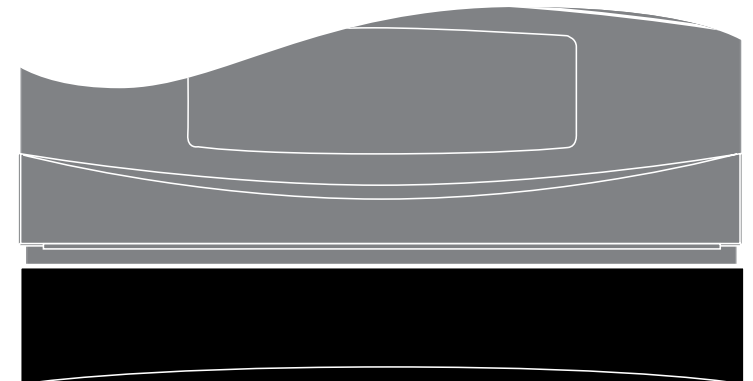
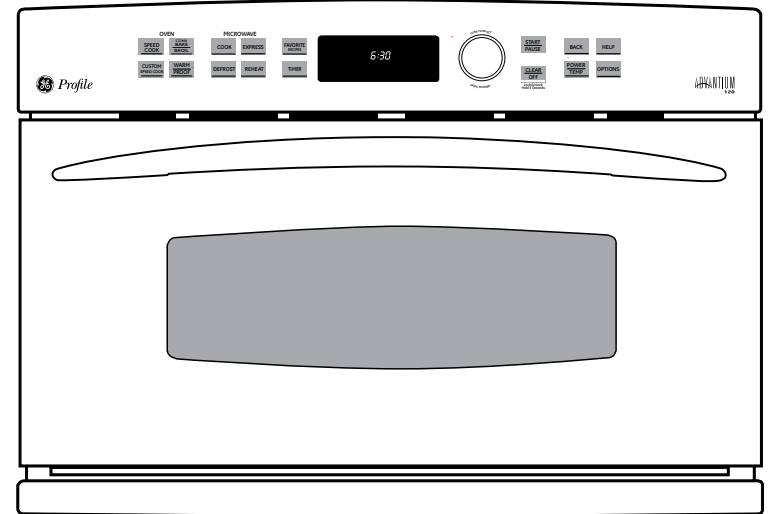
GE Profile Advantium® 120 Volt - 30" Wall Oven

Features and Benefits

- Speedcook Technology - Cooks up to 4 times faster than a conventional oven
- 4 Ovens in 1 to Meet Your Cooking Needs - Speedcook, True European Convection, Warming/Proofing, Sensor Microwave
- Under-the-counter installation - provides installation flexibility to accommodate a variety of kitchen designs.
- Saves valuable time by eliminating preheating
- 16" Turntable - Allows complete rotation of a 9" x 13" casserole dish
- Preprogrammed Recipes - Provide quick and easy programming of over 175 speedcook food selections
- Multi-Level Cooking - Removable pedestal rack allows cooking of multiple dishes at once
- Model PSB1200NWW - White on white
- Model PSB1200NBB - Black on black

Note: PSB1200/1 series Advantium can be installed below GE/GE Profile non-downdraft gas and electric cooktops. It CANNOT be installed below induction or Monogram (2GU3841385) gas cooktops.

For answers to your Monogram®, GE Profile™ or GE® appliance questions, visit our website at ge.com or call GE Answer Center® service, 800.626.2000.



Accessories:
Optional
Storage Drawer
Available
(JX2200NBB)

