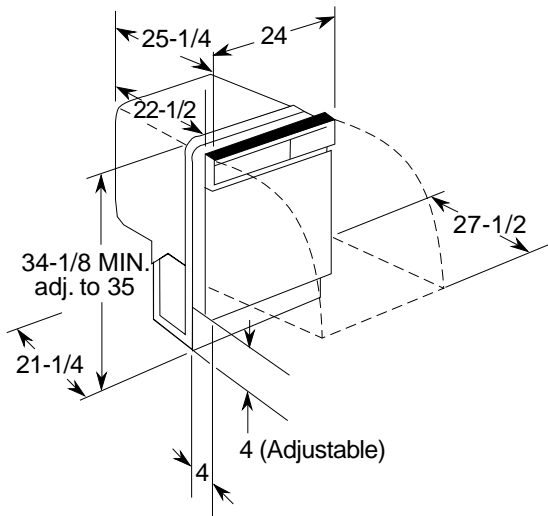




GE Appliances

## GSD6200G – GE Triton XL™ Built-In Dishwasher

### Built-In Dishwasher Dimensions (in inches)



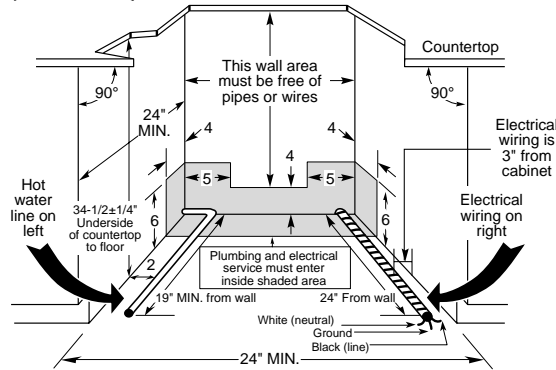
### Electrical Rating

Voltage AC	120
Hertz	60
Total connected load amperage	9.1
Calrod® heater watts max.	875

For use on adequately wired 120-volt, 15-amp circuit having 2-wire service with a separate ground wire. This appliance must be grounded for safe operation.

Specification Revised 6/02

### Installation Information (in inches)

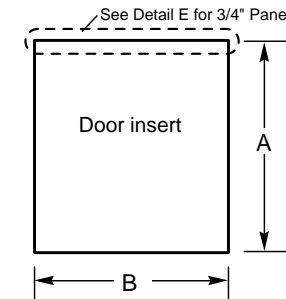


### Dishwasher Rough-In Information

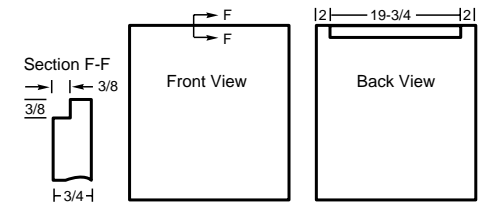
**Note:** Dishwasher must not be installed more than 10 feet from sink for proper drainage. All plumbing and electrical work must be in accordance with local codes.

The power cord and connections must comply with the National Electrical Code Section 422 and/or local codes and ordinances. The cord must be no longer than 6 ft. from the junction box to the receptacle.

### Wood Insert Cut-Out Dimensions (flat door models only)



### Detail E for 3/4 panel only



Models/Kit	A	B	C - Panel Thickness
GE Models GPF625 Kit*	25-1/16"	23-1/2"	1/4"
GPF675 Kit**	25-7/16"	23-3/4"	3/4"

\*GPF800 Heavy Spring Kit required for custom door panel weighing more than 4 lbs.

\*\*GPF800 Heavy Spring Kit included.



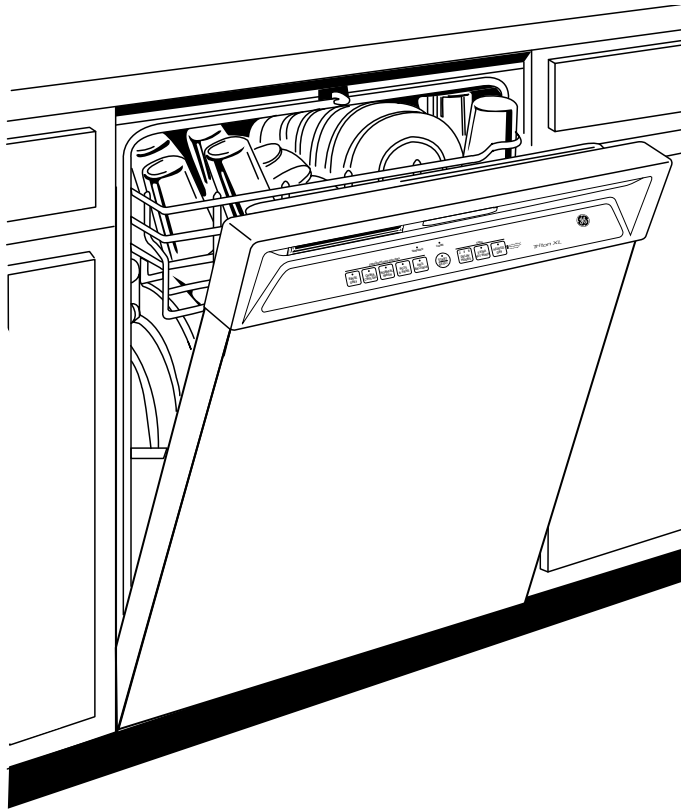
As an ENERGY STAR® partner, GE has determined that this product meets the ENERGY STAR® guidelines for energy efficiency.

For answers to your Monogram®, GE Profile™ or GE appliance questions, visit our website at [GEAppliances.com](http://GEAppliances.com) or call GE Answer Center® service, 800.626.2000.



GE Appliances

## GSD6200G – GE Triton XL™ Built-In Dishwasher



### Features and Benefits

- ENERGY STAR® Qualified
- Full-Length Flat Door
- Tall-Over-Tall™ Towerless Rack Design: Tiered Upper Rack w/PVC Tines and Two Utility Shelves, Lower Rack
- QuietPower™ IV Sound Insulation Package with ActiveVent II System
- XtraClean™ Wash System with Six Wash Levels
- XtraClean™ Sensor with Integrated Automatic Temperature Control
- Variable Cycles: Anti-Bacteria (NSF Certified), Pots & Pans, Normal Wash, China/Crystal and Rinse Only
- Three Full-Size, Direct-Feed Wash Arms
- 100% Triple Water Filtration System with XtraFine™ Filter/Dual Pumps and Motors
- Inlaid Light-Touch Electronic Controls with “Clean” and “Sanitized” Indicator Lights
- Silverware Basket with Two Cell Covers
- Multi-Wattage Heating Element
- Options: Start/Reset, Child Lock-Out, Delay Start (2/4/8 Hours), Heated Dry, ExtraHot Wash and Auto HotStart™ Feature
- Model GSD6200GWW – White on white
- Model GSD6200GBB – Black on black
- Model GSD6200GCC – Bisque