

OVER-THE-RANGE & BUILT-IN MICROWAVE OVENS

THE #1 SELLING OVER-THE-RANGE MICROWAVE OVEN IN AMERICA.



FEATURING THE GE PROFILE PERFORMANCE SERIES™



We bring good things to life.

THE SPACE-SAVING MICROWAVE WITH BIG IDEAS





NO WONDER IT'S THE TOP-SELLING OVER-THE-RANGE MICROWAVE IN AMERICA!

The Spacemaker XL1400 is GE's largest over-the-range microwave oven ever. It is large enough to cook two full-size casseroles or a large ham, yet it doesn't compete for valuable space in the kitchen. In the space usually occupied by a range hood, this oven provides 1.4 cubic feet of capacity and 950 watts of microwave cooking power. It has a turntable that can be switched on or off as needed, and a rack that nearly doubles the cooking space. The Smart Control system, with its interactive display, lets you program several cooking functions at once. For most microwaving, you don't even have to enter power levels and cooking times. Just press the sensor control pad for the type of food you're preparing and the built-in sensor does the rest. A Spacemaker XL 1400 over-the-range microwave completes your cooking center—and makes the most of your time and kitchen space.

THE GE APPLIANCE LINES FOR 1998



GE PROFILE PERFORMANCE SERIES™

**ALL THE STYLE YOU CAN
IMAGINE. ALL THE
PERFORMANCE YOU DESERVE.**

WITH THE CREATION OF THE PROFILE PERFORMANCE SERIES,™ GE HAS TAKEN PERFORMANCE TO A NEW LEVEL. THIS IMAGINATIVE SERIES OFFERS BOTH BUILT-IN AND FREE-STANDING APPLIANCES, IN THE CLASSIC BLACK, WHITE OR ALMOND FINISHES, AS WELL AS STAINLESS STEEL. DESIGNED FOR TODAY'S MOST DEMANDING CONSUMERS. *YOU'VE EARNED IT!*



GE PROFILE™

**THE FASTEST GROWING BRAND
OF APPLIANCES IN AMERICA.**

GE PROFILE™ APPLIANCES HAVE CAPTURED THE CONSUMER'S IMAGINATION WITH THEIR INNOVATIVE DESIGN AND ADVANCED CONVENIENCE FEATURES. AN INTEGRAL PART OF THE LINE IS THE PROFILE BUILT-IN STYLE COLLECTION. THE COLLECTION COMBINES SMARTLY-DESIGNED BUILT-IN STYLE AND FREE-STANDING APPLIANCES THAT CAN BE "MIXED AND MATCHED" TO ACHIEVE A BUILT-IN LOOK WITHOUT THE BUILT-IN EXPENSE.



GE



**NO APPLIANCE BRAND
IS RATED HIGHER BY
AMERICAN CONSUMERS.**



GE QUALITY AND DEPENDABILITY ARE LEGENDARY. THE FAMOUS LOUIS HARRIS POLL REPORTS THAT CONSUMERS RATE GE PRODUCTS AND SERVICES AMONG THE BEST IN AMERICA. IN FACT, NO BRAND OF APPLIANCES RATES HIGHER THAN GE. ACCORDING TO *PROFESSIONAL BUILDER* MAGAZINE, GE IS ALSO THE TOP CHOICE OF AMERICA'S HOMEBUILDERS. GIVE YOUR HOME A FRESH LOOK—WITH ALL NEW GE APPLIANCES.


TABLE OF CONTENTS


Look for this color-coding system throughout this brochure to easily identify brand, product and features.

 GE Profile Performance Series™  GE Profile™  GE



  Spacemaker XL1400 Description.....	2-3
--	-----

  Brand Identification.....	4
---	---

 Message Center Description.....	6
---	---

 Sensor Combination Description.....	7
---	---

 SpacemakerPlus™ Combination Microwave/Convection.....	8
---	---

  Spacemaker XL1400 With Sensor Controls.....	9
---	---

 Spacemaker XL1400 With Sensor/Convenience Controls.....	10
---	----

 Spacemaker XL1400 With Convenience Controls.....	11
--	----

  Built-In Microwave Ovens.....	12
---	----

  Installation, Specifications & Warranty Information.....	13-15
--	-------

IT COOKS, ROASTS, REHEATS, AND COMMUNICATES



AN AUDIO MESSAGE CENTER IN A MICROWAVE OVEN?

That's right. As if all the convenient cooking features weren't enough, the GE Profile™ Spacemaker XL1400 microwave has a built-in Audio Message Center—a digital, single-message voice recorder. Just press the “message” pad and speak into the built-in microphone. You can leave a voicemail message for a family member or a note to yourself—a reminder to drop off the videos or add a few items to your grocery list. The recording is saved and a lighted scrolling display shows that a message is waiting. Even when the electrical power is off your message is held until erased. The Audio Message Center is a handy feature, especially for busy households—and what household isn't these days?

The Audio Message Center, an exclusive feature of the Spacemaker XL1460, allows you to record and play back a message of up to 20 seconds in length.

SENSOR/CONVECTION COOKING: A BEAUTIFUL BLEND



THE SIMPLE WAY TO COOK AND BROWN FOODS.

One of the most common complaints about microwave ovens is, "They don't brown foods." Well, maybe some don't—but this one does! And the SpacemakerPlus microwave and convection oven with the Sensor Combination feature makes it all so easy. To cook and brown chicken for example, just press the Sensor Combination pad for preparing chicken and then press "start." The oven takes it from there. For cooking and browning potatoes or fish, it's the same simple procedure using related touchpads. The results speak for themselves: deliciously moist foods, beautifully browned and evenly cooked. When dinner guests praise your culinary skills, you don't need to reveal how easy it was to prepare the meals. Just smile and accept the compliments.

With the SpacemakerPlus Sensor Combination feature, baking and browning are as easy as can be.

SPACEMAKERPLUS™ COMBINATION MICROWAVE/CONVECTION

ALL MODELS INCLUDE • 1.1 cu. ft. Oven Cavity
 • 825 Watts* • Sensor Cooking Controls for Popcorn, Beverage, Canned Vegetables, Fresh Vegetables and Frozen Vegetables and Reheat Pads • Combination Microwave/Convection Oven • Sensor Combination (Chicken, Fish, Potato) • Combination Roast (probe) • Combination Bake Hi/Lo • Convection Bake • Auto Defrost/Time Defrost • SmartControl System with Interactive Display



The Sensor Combination pads take the guesswork out of cooking.



Convection cooking provides a browned crisp exterior and moist interior.



The Combination Bake Hi uses 30% microwave power, combined with convection cooking for faster cooking results.



GE Profile Performance Series™ JVM1190SY
 • Stainless steel



GE Profile Performance Series™ JVM1190WY
 • White on white
JVM1190BY (not shown)
 • Black on black
JVM1190AY (not shown)
 • Almond on almond



*IEC-705 Test Procedure

SPACEMAKER XL1400 WITH SENSOR COOKING CONTROLS

- ALL MODELS INCLUDE • 1.4 cu. ft. Oven Cavity
 • 950 Watts* • Audio Message Center • Custom Pads
 • Turntable On/Off • Help Pad • Time Cook I & II
 • Temp Cook/ Roast (probe) • Sensor Cooking Controls for Popcorn, Beverage, Reheat, Ground Meats, Fish Fillets, Chicken Pieces, Potatoes and Vegetable Pads • Add 30 Seconds • Instant On Controls • Beeper Volume Control • Child Lock-Out
 • Powerful Two-Speed, High-Capacity Exhaust Fan



The Exclusive Audio Message Center allows you to leave audio messages for your family



Smart Control System with Interactive Display makes programming several functions at once easy.



Sensor controls automatically eliminate guesswork.



- GE Profile™
JVM1460SA**
- Stainless steel
 - CircuWave™ Plus Cooking System
 - SmartControl System with Interactive Display
 - Removable Dual Rack
 - Timer On/Off
 - Full-View Cooktop Lighting
 - Programmable Nite Light
 - Auto Defrost/Time Defrost



- GE Profile™
JVM1460WA**
- White on white
 - CircuWave™ Plus Cooking System
 - SmartControl System with Interactive Display
 - Removable Dual Rack
 - Timer On/Off
 - Full-View Cooktop Lighting
 - Programmable Nite Light
 - Auto Defrost/Time Defrost
- JVM1460BA** (not shown)
 • Black on black
- JVM1460AA** (not shown)
 • Almond on almond

*IEC-705 Test Procedure

SPACEMAKER XL1400 WITH SENSOR/CONVENIENCE CONTROLS

ALL MODELS INCLUDE • 1.4 cu. ft. Oven Cavity
 • 950 Watts* • Turntable On/Off • Help Pad
 • Sensor Cooking Controls for Popcorn and Reheat
 • Convenience Cooking Controls for Beverage, Snacks and Cook Pads • Time Cook I & II • Express Cook • Add 30 Seconds • Instant On Controls
 • Child Lock Out • Night Light • Two-Speed, High-Capacity Exhaust Fan



■ ■ ■ Sensor Controls take the guesswork out of cooking.



■ ■ The combination of the rack and turntable gives you two levels of convenient cooking.



■ ■ Spacemaker XL1400—GE's largest over-the-range microwave oven ever.



- GE**
JVM1450BA
- Black on black
 - CircuWave™ Plus Cooking System
 - SmartControl System with Interactive Display
 - Removable Dual Rack
 - Timer On/Off
 - Full-View Cooktop Lighting
 - Programmable Nite Light
 - Auto Defrost/Time Defrost



- GE**
JVM1450AA
- Almond on almond
 - CircuWave™ Plus Cooking System
 - SmartControl System with Interactive Display
 - Removable Dual Rack
 - Timer On/Off
 - Full-View Cooktop Lighting
 - Programmable Nite Light
 - Auto Defrost/Time Defrost
- JVM1450WA** (not shown)
- White on white

*IEC-705 Test Procedure

SPACEMAKER XL1400 WITH CONVENIENCE COOKING CONTROLS

- ALL MODELS INCLUDE • 1.4 cu. ft. Oven Cavity
- SmartControl System with Interactive Display
 - Convenience Cooking Controls for Beverage, Popcorn and Reheat Pads • Time Cook I & II
 - Auto Defrost/Time Defrost • Express Cook
 - Timer On/Off • Child Lock Out • Full-View Cooktop Lighting • Easy Mount Installation
 - Two-Speed, High-Capacity Exhaust Fan



Smart Control System with Interactive Display makes programming several functions at once easy.



Use the turntable in the "on" position for 360° cooking. In the turntable "off" position, can use extra-large casserole dishes. (Not on all models).



- GE**
- JVM1440WA**
- White on white
 - 950 Watts*
 - Help Pad
 - CircuWave Plus Cooking System
 - Turntable On/Off
- JVM1441WA** (not shown)
- Non-vented model
- JVM1440BA** (not shown)
- Black on black
- JVM1441BA** (not shown)
- Non-vented model
- JVM1440AA** (not shown)
- Almond on almond



- GE**
- JVM1430BA**
- Black on black
 - 900 Watts*
 - CircuWave Cooking System
- JVM1431BA** (not shown)
- Non-vented model
- JVM1430WA** (not shown)
- White on white
 - 900 Watts*
- JVM1431WA** (not shown)
- Non-vented model

*IEC-705 Test Procedure

BUILT-IN MICROWAVE OVENS

ALL MODELS INCLUDE • 1.0 cu. ft. Oven Cavity
 • 800 Watts* • Sensor Cooking Controls for Popcorn,
 Cook, Reheat and Beverage pads • Express Cook



Sensor Controls take the guesswork out of cooking.



The Built-In Microwave/Convection Oven provides a true built-in appearance.



Convection cooking produces brown exteriors and moist interiors.

Microwave/Convection



GE Profile Performance Series™

JEB1090BA

- Black on black
- Convection Cooking
- Combination Roast (probe)
- Combination Cooking
- Sensor Cooking Controls

JEB1090WA (not shown)

- White on white

Microwave only



GE Profile™

JEB1050WV

- White on white
- Sensor Cooking Controls
- Auto Roast (probe)

JEB1050BV (not shown)

- Black on black



JEB1050BV Control Panel

SPACEMAKERPLUS™ MICROWAVE/CONVECTION OVENS

	GE Profile Performance Series™	
	JVM1190SY	JVM1190WY JVM1190AY JVM1190BY
Capacity		
Oven cavity (cu. ft.)	1.1	1.1
Features		
Watts (IEC-705 Test Procedure)	825	825
Electronic Touch Controls	●	●
SmartControl System w/Interactive Display	●	●
Electronic scrolling digital display w/Clock and AM/PM Pad	●	●
Variable Scroll Speed	●	●
Help Pad	●	●
Concurrent programming	●	●
Display On/Off	●	●
Sensor Controls		
Beverage	●	●
Popcorn	●	●
Reheat	●	●
Vegetables (Canned/Fresh/Frozen)	●	●
Convection Controls		
Convection Broil	Hi/Lo	Hi/Lo
Convection Bake	●	●
Combination Roast	●	●
Sensor Combination	Chicken, Fish, Potato	Chicken, Fish, Potato
Combination Bake	Hi/Lo	Hi/Lo
Express Cook (1-6 minutes)	●	●
Instant On Controls	●	●
Time Cook	I & II	I & II
Add 30 Seconds	●	●
Temp Cook	●	●
Auto Defrost/Time Defrost	●	●
Power levels	10	10
Delay Start	●	●
Surface light	●	●
Night Light	●	●
Programmable Night Light	●	●
Timer On/Off	●	●
Reminder	●	●
Variable Beeper Volume Control	●	●
Cooking Complete Reminder	●	●
Child Lock Out	●	●
Two-speed high-capacity exhaust fan	●	●
Appearance		
Case color	Stainless Steel	White Almond Black
Door Color	Stainless Steel	White Almond Black
Designer-style handle	●	●
Weights & Dimensions		
Approx. shipping weight (lbs.)	98	98
WxHxD	Cavity	← 18 x 8-1/16 x 12-1/2 →
(in inches)	Exterior	← 29-15/16 x 15-1/2 x 14-1/4 →
Power/Ratings		
Frequency (MHz)	2450	2450
Electrical input @ 120V	Watts	1300
	Amperage	12.5
Accessories		
Convection/Rack broil pan	●	●
Warranty		
Full One-Year Warranty*	In-Home	In-Home
Limited Nine-Year Magnetron Warranty* (10 years total)	●	●

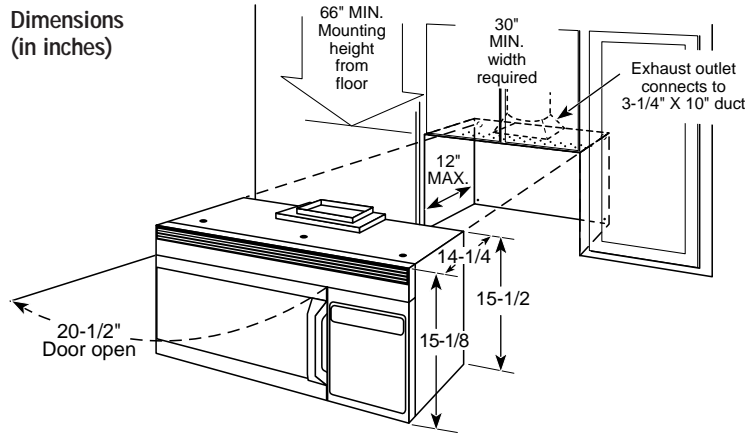
*See written warranty for details.



This information is not intended to be used for installing unit described. Before installing, consult installation instructions packed with product/kit for current dimensional data.

*IEC-705 Test Procedure

Dimensions (in inches)



Ventilation Options

The SpacemakerPlus™ microwave/convection and Spacemaker XL1400 microwave ovens are designed for adaptation to the following three types of ventilation:

Outside Exhaust (Vertical)—as shown above

Outside Exhaust (Horizontal)

Recirculating (Non-vented ductless—see Filter Kit Drawing)

Requires 120V grounded outlet. Electrical receptacle must be located in cabinet above SpacemakerPlus™ microwave/convection and Spacemaker XL1400 microwave ovens. No additional wiring, venting or cabinet rebuilding necessary in many cases. Complete detailed, easy-to-follow installation instructions and convenient full-size templates are packed with product.

Important: When installing these ovens over a range, allow minimum of 2" from bottom of microwave oven to top of range backguard to allow for removal of light covers.

Optional Accessories (Available at additional cost)

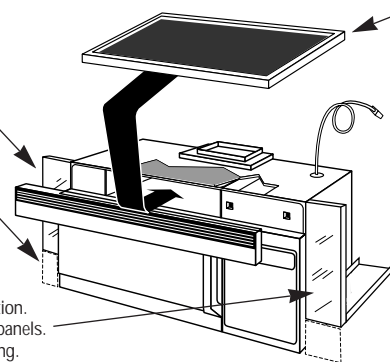
12" Filler Panel Kits

JX40AL—Almond
JX41—Black
JX40WH—White

15" Filler Panel Kits

JX46BL—Black
JX46AL—Almond
JX46WH—White

When replacing a 36" or 42" range hood, this kit fills in the additional width to provide a custom built-in appearance. For installation between cabinets only; not for end-of-cabinet installation. Each kit contains two 3"-wide filler panels. Two kits are needed for a 42" opening.



Filter Kits

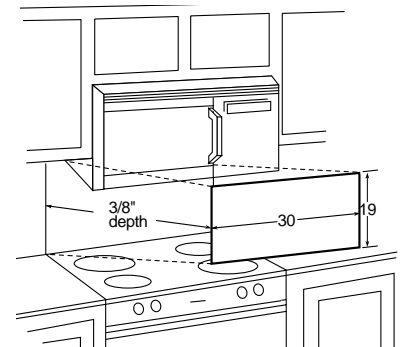
JX81A—Recirculating Charcoal Filter Kit

To be used when the Spacemaker XL1400 microwave oven cannot be vented to the outside.

JX81—Recirculating Charcoal Filter Kit

To be used when the SpacemakerPlus™ microwave/convection oven cannot be vented to the outside.

Model	Recirculating Charcoal Filter Kit	Filler Panel Kit	Decorative Panel Kit
JVM1190AY	JX81	JX40AL	JX22SS
JVM1190BY	JX81	JX41	JX22SS
JVM1190WY	JX81	JX40WH	JX22SS
JVM1190SY	JX81	—	JX22SS
JVM1460AA	JX81A	JX40AL	JX22SS
JVM1460SA	JX81A	—	JX22SS
JVM1460BA	JX81A	JX41/JX46BL	JX22SS
JVM1460WA	JX81A	JX40WH/JX46WH	JX22SS
JVM1450AA	JX81A	JX40AL/JX46AL	JX22SS
JVM1450BA	JX81A	JX41/JX46BL	JX22SS
JVM1450WA	JX81A	JX40WH/JX46WH	JX22SS
JVM1440BA	JX81A	JX41/JX46BL	JX22SS
JVM1440AA	JX81A	JX40AL	JX22SS
JVM1440WA	JX81A	JX40WH/JX46WH	JX22SS
JVM1430BA	JX81A	JX41/JX46BL	JX22SS
JVM1430WA	JX81A	JX40WH/JX46WH	JX22SS



JX22SS—Stainless Steel Decorative Panel Kit

When replacing a Hi/Low range with a SpacemakerPlus™ microwave/convection oven or Spacemaker XL1400 over a range model, this panel kit fills in the area between the microwave and range left by the Hi/Low model.

SPACEMAKER XL1400 OVER-THE-RANGE MICROWAVE OVENS

	GE Profile™			GE					
	JVM1460SA	JVM1460AA	JVM1460BA JVM1460WA	JVM1450AA	JVM1450BA JVM1450WA	JVM1441BA* JVM1440BA	JVM1441WA* JVM1440WA/AA	JVM1431BA* JVM1430BA	JVM1431WA* JVM1430WA
Capacity									
Oven cavity (cu. ft.)	1.4	1.4	1.4	1.4	1.4	1.4	1.4	1.4	1.4
Features									
Watts (IEC-705 Test Procedure)	950	950	950	950	950	950	950	900	900
Electronic touch controls	●	●	●	●	●	●	●	●	●
SmartControl System w/Interactive Display	●	●	●	●	●	●	●	●	●
Electronic scrolling digital display	●	●	●	●	●	●	●	●	●
Demo Mode	●	●	●	●	●	●	●	●	●
Clock and AM/PM Pad	●	●	●	●	●	●	●	●	●
Clock Saver	●	●	●	●	●	●	●	●	●
Variable Scroll Speed	●	●	●	●	●	●	●	●	●
Help Pad	●	●	●	●	●	●	●	●	●
Concurrent programming	●	●	●	●	●	●	●	●	●
Display On/Off	●	●	●	●	●	●	●	●	●
Sensor Controls	●	●	●	●	●	●	●	●	●
Beverage	●	●	●	●	●	●	●	●	●
Chicken	●	●	●	●	●	●	●	●	●
Fish	●	●	●	●	●	●	●	●	●
Meats	●	●	●	●	●	●	●	●	●
Popcorn	●	●	●	●	●	●	●	●	●
Potatoes	●	●	●	●	●	●	●	●	●
Reheat	●	●	●	●	●	●	●	●	●
Vegetables	●	●	●	●	●	●	●	●	●
Custom Pads (2)	●	●	●	●	●	●	●	●	●
Message Center	●	●	●	●	●	●	●	●	●
Convenience Controls	●	●	●	●	●	●	●	●	●
Beverage Pad	●	●	●	●	●	●	●	●	●
Cook Pad	●	●	●	●	●	●	●	●	●
Popcorn Pad	●	●	●	●	●	●	●	●	●
Reheat Pad	●	●	●	●	●	●	●	●	●
Snacks Pad	●	●	●	●	●	●	●	●	●
Express Cook (1-6 min.)	●	●	●	●	●	●	●	●	●
Instant On Controls	●	●	●	●	●	●	●	●	●
Time Cook	I & II	I & II	I & II	I & II	I & II	I & II	I & II	I & II	I & II
Add 30 Seconds	●	●	●	●	●	●	●	●	●
Temp. Cook/Roast (Probe)	●	●	●	●	●	●	●	●	●
Auto Defrost/Time Defrost	●	●	●	●	●	●	●	●	●
Power levels	10	10	10	10	10	10	10	10	10
Delay Start	●	●	●	●	●	●	●	●	●
Reminder	●	●	●	●	●	●	●	●	●
CircuWave™ Plus Cooking System	●	●	●	●	●	●	●	●	●
CircuWave™ Cooking System	●	●	●	●	●	●	●	●	●
Dual Rack	●	●	●	●	●	●	●	●	●
Turntable On/Off	●	●	●	●	●	●	●	●	●
Full-View cooktop lighting	●	●	●	●	●	●	●	●	●
Night light	●	●	●	●	●	●	●	●	●
Programmable nite light	●	●	●	●	●	●	●	●	●
Timer On/Off	●	●	●	●	●	●	●	●	●
Beeper sound level control	●	●	●	●	●	●	●	●	●
Cooking Complete Reminder	●	●	●	●	●	●	●	●	●
Child lock out	●	●	●	●	●	●	●	●	●
Two-speed high-capacity exhaust fan	300 CFM	300 CFM	300 CFM	300 CFM	300 CFM	300 CFM	300 CFM	300 CFM	300 CFM
Easy Mount Installation	●	●	●	●	●	●	●	●	●
Appearance									
Color appearance†	SS	AA	BB/WW	AA	BB/WW	BB	WW/AA	BB	WW
Case color	Black	Almond	Black/White	Almond	Black/White	Black	White/Almond	Black	White
Designer-style handle	●	●	●	●	●	●	●	●	●
Big View window	●	●	●	●	●	●	●	●	●
Weights & Dimensions									
Approx. shipping weight (lbs.)	67	67	67	67	67	67	67	67	67
WxHxD	19-5/16 x 9-5/16 x 13-3/16								
(inches)	29-7/8 x 16-1/2 (rear) x 14-5/16								
Power/Ratings									
Frequency (MHz)	2450	2450	2450	2450	2450	2450	2450	2450	2450
Electrical input	1480	1480	1480	1480	1480	1480	1480	1480	1480
@ 120V	15	15	15	15	15	15	15	15	15
Accessories									
Cookbook	●	●	●	●	●	●	●	●	●
Warranty									
Full One-Year Warranty‡	In-Home	In-Home	In-Home	In-Home	In-Home	In-Home	In-Home	In-Home	In-Home
Limited Nine-Year Magnetron Warranty† (10 years total)	●	●	●	●	●	●	●	●	●

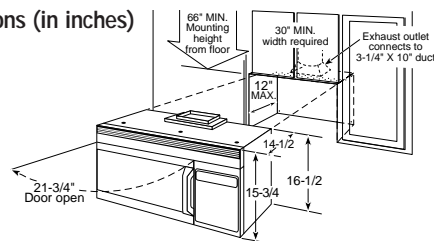
*Non-vented model.

†SS = Stainless steel, AA = Almond on almond, BB = Black on black, WW = White on white.

‡Exterior dimensions: depth excludes handle.

‡See warranty for details.

Dimensions (in inches)



NOTE: Popcorn Pad designed for use with 3 packages sizes—3.5, 3.0 and 1.75 oz.

This information is not intended to be used for installing unit described. Before installing, consult installation instructions packed with product/kit for current dimensional data.

GE Consumer Service, We'll Be There!

Here are four reasons to choose Monogram,[®] GE Profile Performance Series,[™] GE Profile,[™] GE, Hotpoint and RCA appliances:



GE Appliance Service

800-GE-CARES

Expert Service When You Need It!

- Call us 24 hours a day, every day of the year.
- Among the best one-call repair completion rates in the industry!
- Receive a 5-year full warranty on parts when installed by GE.

GE Answer Center[®]

800.626.2000

We Never Close!

- Any hour of the day or night—even on weekends and holidays—the GE Answer Center[®] service is available to answer questions about Monogram[®], GE Profile Performance Series,[™] GE Profile,[™] GE, Hotpoint, and RCA features and installations.
- You and your customers can call toll-free before, during and after the sale.



GE Genuine Parts

800-626-2002

When You Want Parts To Fix It Yourself!

- We offer a complete line of parts, accessories and appliance care products for GE appliances and most other major brands too!
- Fast, convenient delivery direct to you.

GE Service Management

800-626-2224

*We'll Cover Any Appliance. Anywhere. Anytime.**

- All brands covered.
- Backed by GE.
- With GE Service Protection Plus,[™] you receive complete coverage on parts, labor and service calls for the term of your GE Service Contract.

*All brands covered, up to 20 years old, in the continental U.S.

Before purchasing any appliance on which the Federal Trade Commission requires an energy label, read important energy cost and efficiency information available from your retailer.

GE has a policy of continuous improvement on its products and reserves the right to change materials and specifications without notice.



GE Appliances

General Electric Company
Louisville, Kentucky 40225
www.ge.com/appliances



Listed by
Underwriters Laboratories

Pub. No. 4-S208-1
PC10190