

JBS30DK/RK

GE® Series 30" Free-Standing Electric Range

DIMENSIONS AND INSTALLATION INFORMATION (IN INCHES)

RECEPTACLE LOCATIONS

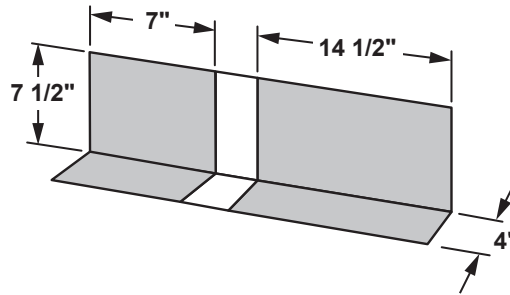
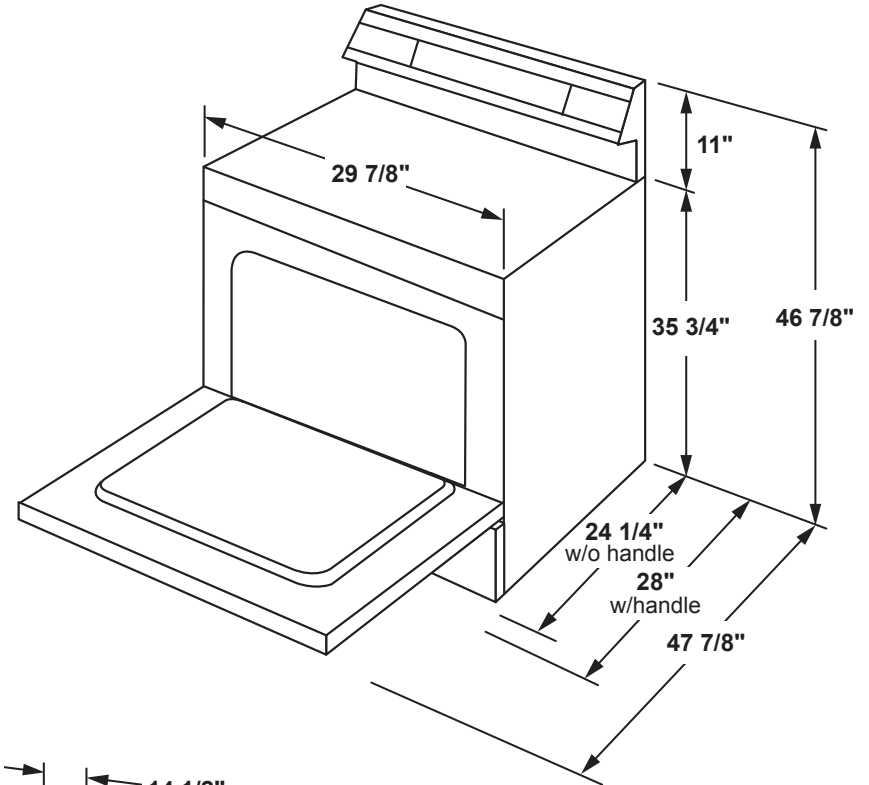
Locally approved flexible service cord or conduit must be used because terminals are not accessible after range installation. See shaded area in drawing for location of electrical outlet box. Recommended outlet locations allow range to be installed directly against wall.

NOTE: This appliance has been approved for 0" spacing to adjacent surfaces above the cooktop. However, a 6" minimum spacing to surfaces less than 15" above the cooktop and adjacent cabinet is recommended to reduce exposure to steam, grease splatter and heat.

INSTALLATION INFORMATION: Before installing, consult installation instructions for current dimensional data and additional requirements.

| KW RATING | |
|--------------|----------|
| 240V | 10.2 |
| 208V | 7.6 |
| BREAKER SIZE | |
| 240V | 40 Amps† |
| 208V | 40 Amps† |

†**NOTE:** Check local codes for required breaker size.



For answers to your Monogram, GE Café™ Series, GE Profile™ Series or GE Appliances product questions, visit our website at geappliances.com or call GE Answer Center® Service, 800.626.2000.



All GE ranges are equipped with an Anti-Tip device. The installation of this device is an important, required step in the installation of the range.



Listed by Underwriters Laboratories

JBS30DK/RK

GE® Series 30" Free-Standing Electric Range

FEATURES AND BENEFITS

5.0 cu. ft. oven capacity - Cook more dishes at once

Big view window - Large, clear window makes checking food easy

Dual-element bake - Upper and lower elements produce even heat and great results

Standard clean oven - Smooth surface and rounded corners make clean-up quick and easy

Electronic clock and timer - Help cooks coordinate meal preparation and cooking

Removable full-width storage drawer - Store cookware or kitchen accessories

Model JBS30DKWW - White on white

Model JBS30DKBB - Black on black

Model JBS30RKSS - Stainless steel

