

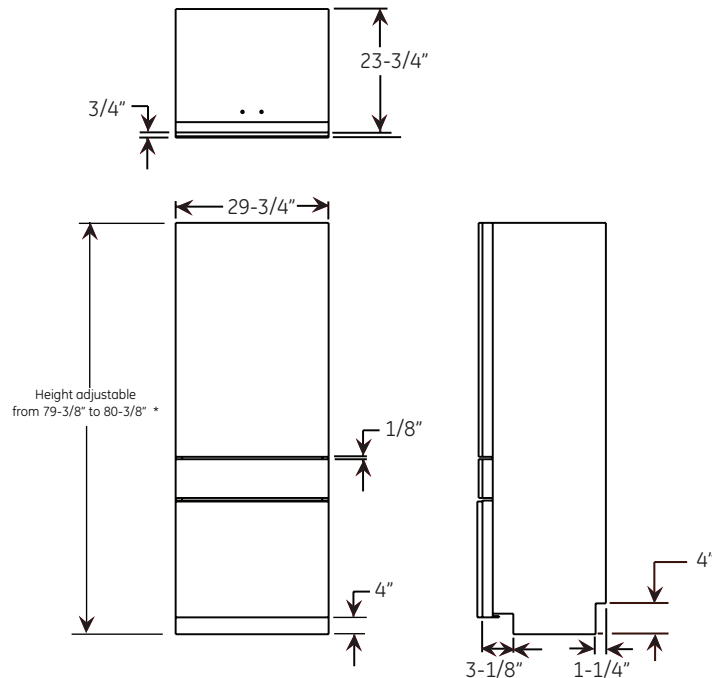
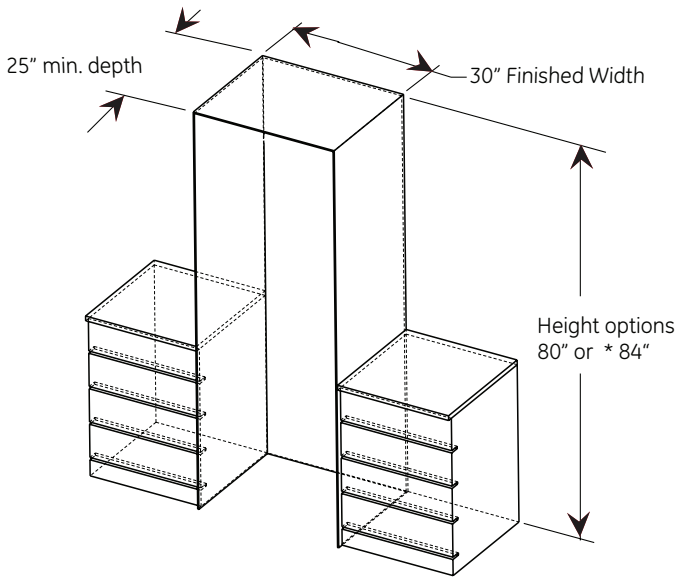
MONOGRAM 30" FULLY INTEGRATED CUSTOMIZABLE REFRIGERATORS FOR DUAL INSTALLATION

ZIC30GNHII/
ZIK30GNHII

DIMENSIONS AND INSTALLATION INFORMATION (IN INCHES)

The Installation Space

The finished cutout width must be 30"



The cutout depth must be 25" for flush installations.
- The front face of the refrigerator fits flush with 25" depth adjacent cabinets.

Electrical

A 115V, 60Hz., 15 or 20 amp power supply is required. An individual properly grounded branch circuit or circuit breaker is recommended. Install a properly grounded 3-prong electrical receptacle recessed into the back wall. Electrical must be located on rear wall as shown.

Note: GFI (ground fault interrupter) is not recommended.

Water Line

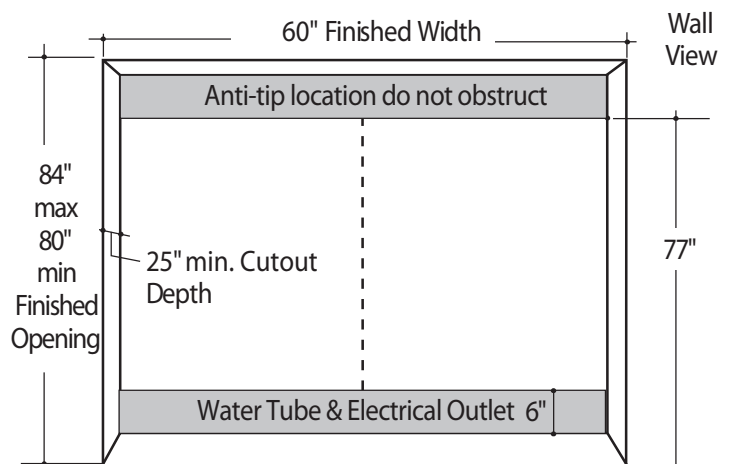
- A cold water supply is required for automatic icemaker operation. The water pressure must be between 40 and 120 p.s.i.

- Route 1/4" OD copper or GE SmartConnect™ plastic tubing between the house cold water line and the water connection location.

- Tubing should be long enough to extend to the front of the refrigerator. Allow enough tubing to accommodate a bend leading into the water line connection.

- Water line can enter an opening through the floor or back wall.

- Install a shut-off valve between the icemaker water valve and cold water supply in the home.



Note: When two units are placed side by side, order heater kit ZUG30.

MONOGRAM



MONOGRAM 30" FULLY INTEGRATED CUSTOMIZABLE REFRIGERATORS FOR DUAL INSTALLATION

ZIC30GNHII/
ZIK30GNHII

DIMENSIONS AND INSTALLATION INFORMATION (IN INCHES)

Customization Basics:

These refrigerators are factory set for a right hinged door swing. The door swing is reversible. Choose an RH model with hinge on the right side; the door swings left to right. Choose an LH model with hinge on the left side; the door will swing right to left.

Note:

For 84" panels, the top space behind the top panel can be enclosed with wood and stained by the cabinet maker to match adjacent cabinetry.

Door Handles

Custom handles of your choice, supplied by your cabinetmaker, can be installed. If desired, you may order WR12X10988 Monogram European stainless steel tubular handle kit for custom panels.

Optional Accessory Kits

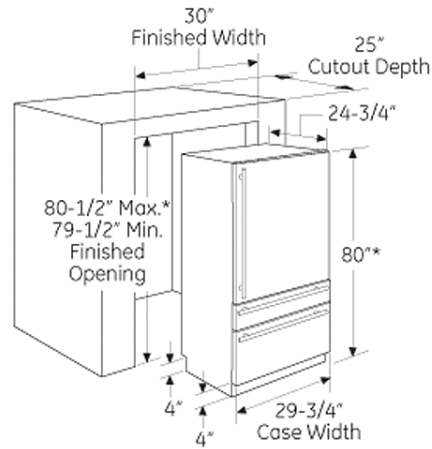
ZUG30: For side-by-side installation

European Handle Kit: can be purchased through GE Parts store - WR12X10988

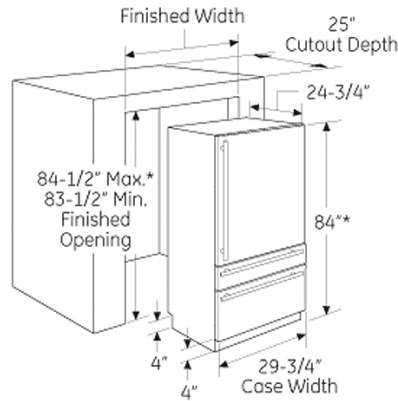
Door Swing Clearances

The installation must allow for clearances to adjacent walls or cabinets. These refrigerators are equipped with a 2-position door stop. The factory-set 115° door swing can be adjusted to 90° if clearance to adjacent cabinets or walls is restricted.

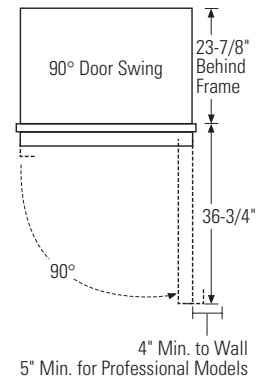
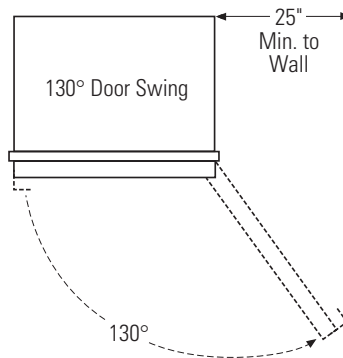
Product Dimensions



*80" high installation. The wine reserve can be adjusted to fit into a cutout that is 79-1/2" min. to 80-1/2" max. height. Use leveling legs and wheels for a maximum 1" height adjustment.



*84" high installation. The wine reserve can be adjusted to fit into a cutout that is 83-1/2" min. to 84-1/2" max. with the appropriate door kit. Use leveling legs and wheels for a maximum 1" height adjustment.



Allow 15" minimum clearances for a full 115° doorswing.

- 5" minimum clearance is required when the door swing is adjusted to 90°.
- See door swing illustrations to determine interaction with adjacent cabinets or countertops.

MONOGRAM



MONOGRAM 30" FULLY INTEGRATED CUSTOMIZABLE REFRIGERATORS FOR DUAL INSTALLATION

ZIC30GNHII/
ZIK30GNHII

DIMENSIONS AND INSTALLATION INFORMATION (IN INCHES)

SS PANEL ACCESSORY & DIMENSIONS

3/4"-Thick Solid Door Panel Options
For 80" High Installation

- European - Panel Model ZKST300N
LH & RH capable
- Professional - Panel Model ZKSP300N
LH & RH capable

For 84" High Installation the door panel is not reversible for the 84" installations. A left or right-hand door panel accessory must be purchased.

- LH European - Model ZKST304NLH
- RH European - Model ZKST304NRH
- LH Professional - Model ZKSP304NLH
- RH Professional - Model ZKSP304NRH

Note: Each kit also contains matching freezer and customizable drawer panels, handles and toekick.

Optional Accessory Kits#:

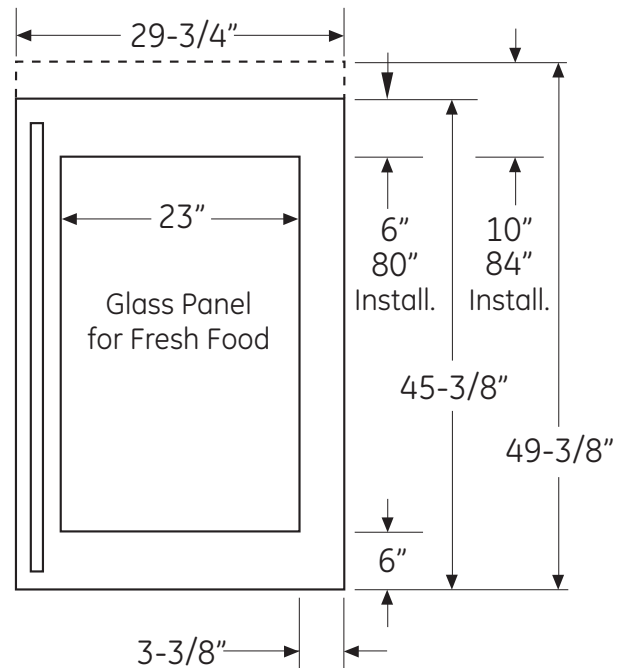
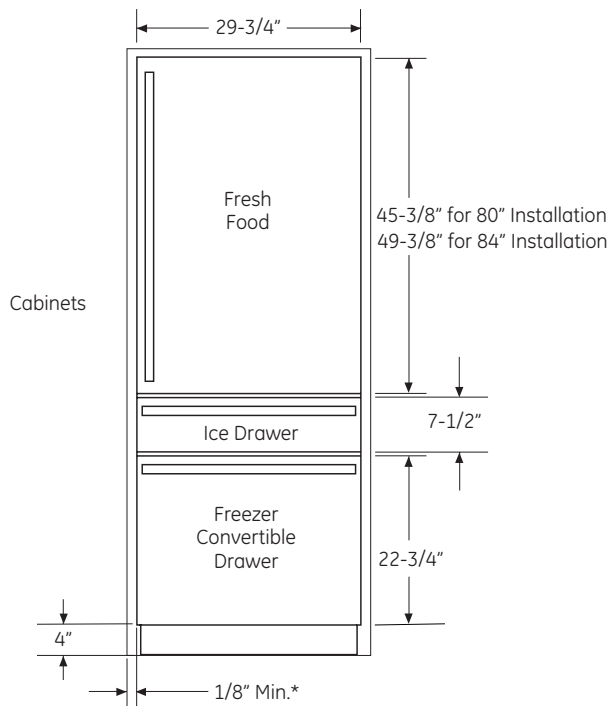
- Side-by-Side Installation Kit - ZUG30
- European handle kit - 3 handles (can be purchased through GE Parts) - WR12X10988

3/4"-Thick Frame for Glass Door Options
For 80" High Installation

- European - Panel Model ZKGT300N
LH & RH capable
- Professional - Panel Model ZKGP300N
LH & RH capable

For 84" High Installation The door panel is not reversible for the 84" installations. A left or right-hand door panel accessory must be purchased. The top space behind the top panel can be enclosed with wood and stained by the cabinet maker to match adjacent cabinetry.

- LH European - Model ZKGT304NLH
 - RH European - Model ZKGT304NRH
- Note: Each kit also contains matching freezer and convertible drawer panels, handles and toekick.



*Pro style window is slightly smaller.

Note:

EXTREMELY IMPORTANT: Routing of custom wood panels is required where the hooks and brackets attach to the panel. Custom panels must be at least 3/4" thick where the hooks and brackets hardware are attached.

MONOGRAM



MONOGRAM 30" FULLY INTEGRATED CUSTOMIZABLE REFRIGERATORS FOR DUAL INSTALLATION

ZIC30GNHII/
ZIK30GNHII

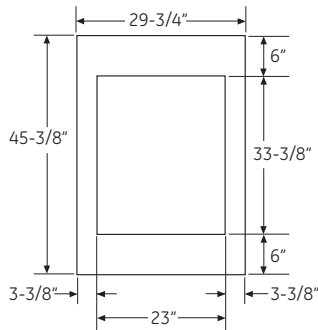
DIMENSIONS AND INSTALLATION INFORMATION (IN INCHES)

3/4" CUSTOM PANEL DIMENSIONS:

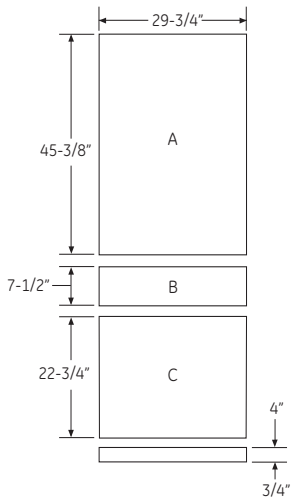
80" High Fully Integrated Installation

If you choose to install custom panels, they must be cut to the dimensions shown. The panels will attach to the door and drawers using a hook and bracket system.

NOTE: This product is designed to handle 3/4" panels that are made of wood. 33-3/8" x 23" is the maximum opening for a glass window. The opening may be smaller if desired.



PANELS FOR GLASS DOOR



PANELS FOR SOLID DOOR AND DRAWERS

IMPORTANT NOTE:

Maximum panel weight:
A Fresh Food Door Panel: 33 lbs.
B Freezer Door Panel: 9 lbs.
C Convertible Food Door Panel: 19 lbs.

*Styles must be a min 3-3/8" to cover aluminum door frame.

Design Tip: Some amount of each panel will be visible on the interior side of the unit. It is recommended that both sides of each panel be finished.

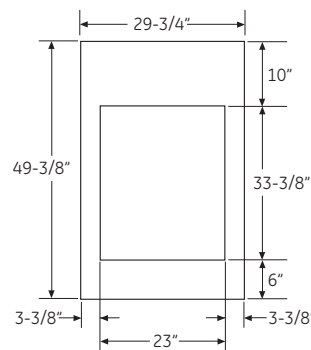
Design Tip: If using custom panels, a custom toe kick should be considered. The bottom of case is white.

3/4" CUSTOM PANEL DIMENSIONS:

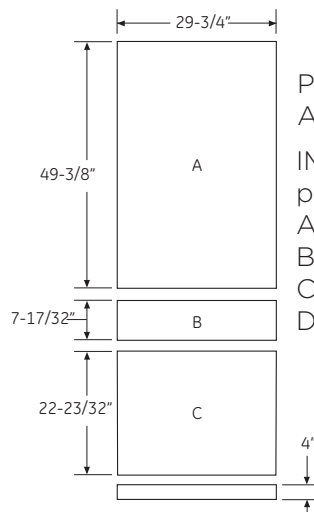
84" High Fully Integrated Installation

If you choose to install custom panels, they must be cut to the dimensions shown. The panels will attach to the door and drawers using a hook and bracket system. The top space behind the top panel can be enclosed with wood and stained by the cabinet maker to match adjacent cabinetry.

NOTE: This product is designed to handle 3/4" panels that are made of wood. 33-3/8" x 23" is the maximum opening for a glass window. The opening may be smaller if desired.



PANELS FOR GLASS DOOR



PANELS FOR SOLID DOOR AND DRAWERS

IMPORTANT NOTE: Maximum panel weight:
A Fresh Food Door Panel: 33 lbs.
B Freezer Door Panel: 9 lbs.
C Convertible Food Door Panel: 19 lbs.

*Styles must be a min 3-3/8" to cover aluminum door frame.

Design Tip: Some amount of each panel will be visible on the interior side of the unit. It is recommended that both sides of each panel be finished.

Design Tip: If using custom panels, a custom toe kick should be considered. The bottom of case is white.

Note: EXTREMELY IMPORTANT: Routing of custom wood panels is required where the hooks and brackets attach to the panel. Custom panels must be at least 3/4" thick where the hooks and brackets hardware are attached.

MONOGRAM



MONOGRAM 30" FULLY INTEGRATED CUSTOMIZABLE REFRIGERATORS FOR DUAL INSTALLATION

ZIC30GNHII/
ZIK30GNHII

DIMENSIONS AND INSTALLATION INFORMATION (IN INCHES)

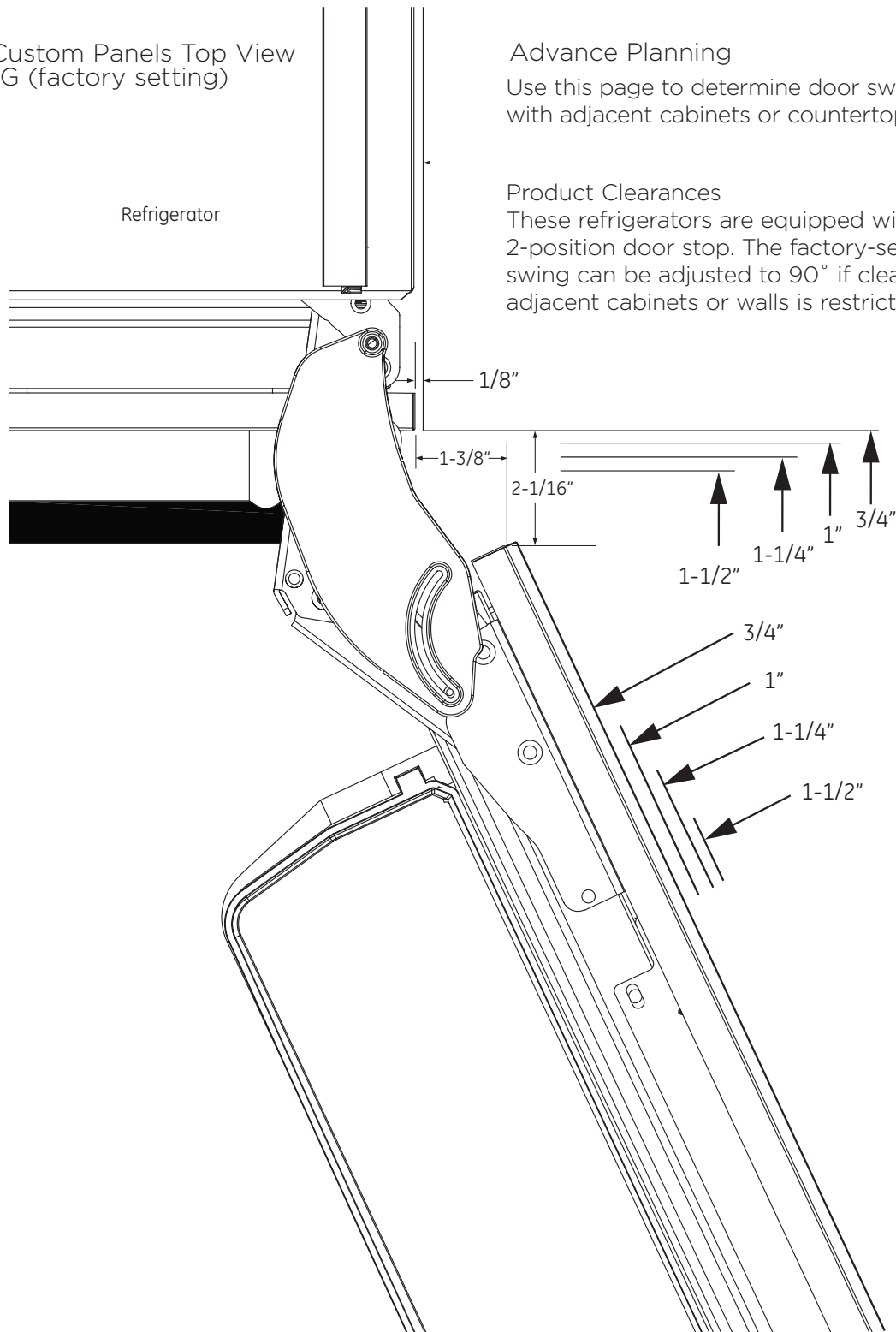
SS European or Custom Panels Top View
115° DOOR SWING (factory setting)

Advance Planning

Use this page to determine door swing interaction with adjacent cabinets or countertops.

Product Clearances

These refrigerators are equipped with a 2-position door stop. The factory-set 115° door swing can be adjusted to 90° if clearance to adjacent cabinets or walls is restricted.



MONOGRAM

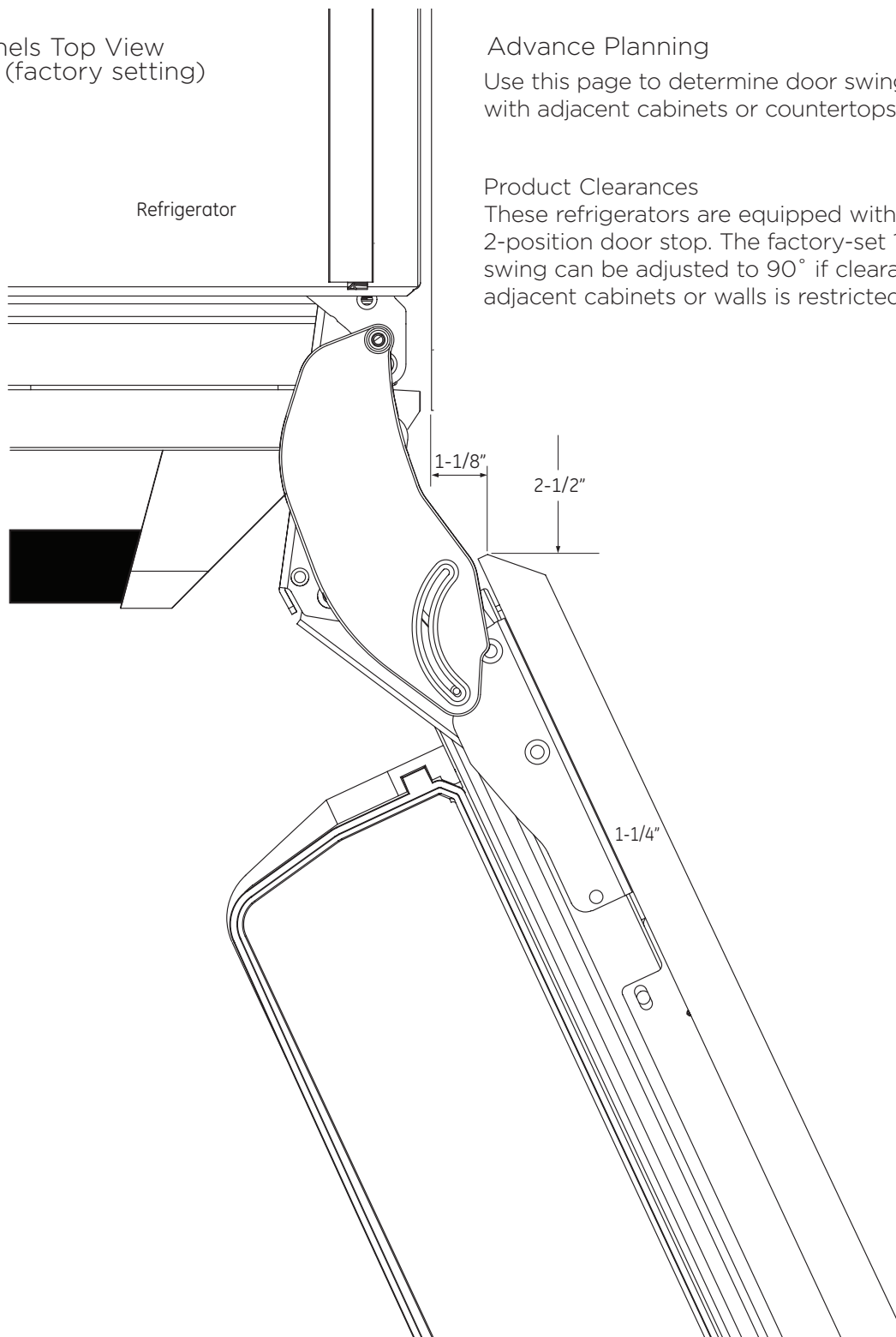


MONOGRAM 30" FULLY INTEGRATED CUSTOMIZABLE REFRIGERATORS FOR DUAL INSTALLATION

ZIC30GNHII/
ZIK30GNHII

DIMENSIONS AND INSTALLATION INFORMATION (IN INCHES)

SS Professional Panels Top View
115° DOOR SWING (factory setting)



Advance Planning

Use this page to determine door swing interaction with adjacent cabinets or countertops.

Product Clearances

These refrigerators are equipped with a 2-position door stop. The factory-set 115° door swing can be adjusted to 90° if clearance to adjacent cabinets or walls is restricted.

MONOGRAM



Listed by
Underwriters
Laboratories

MONOGRAM 30" FULLY INTEGRATED CUSTOMIZABLE REFRIGERATORS FOR DUAL INSTALLATION

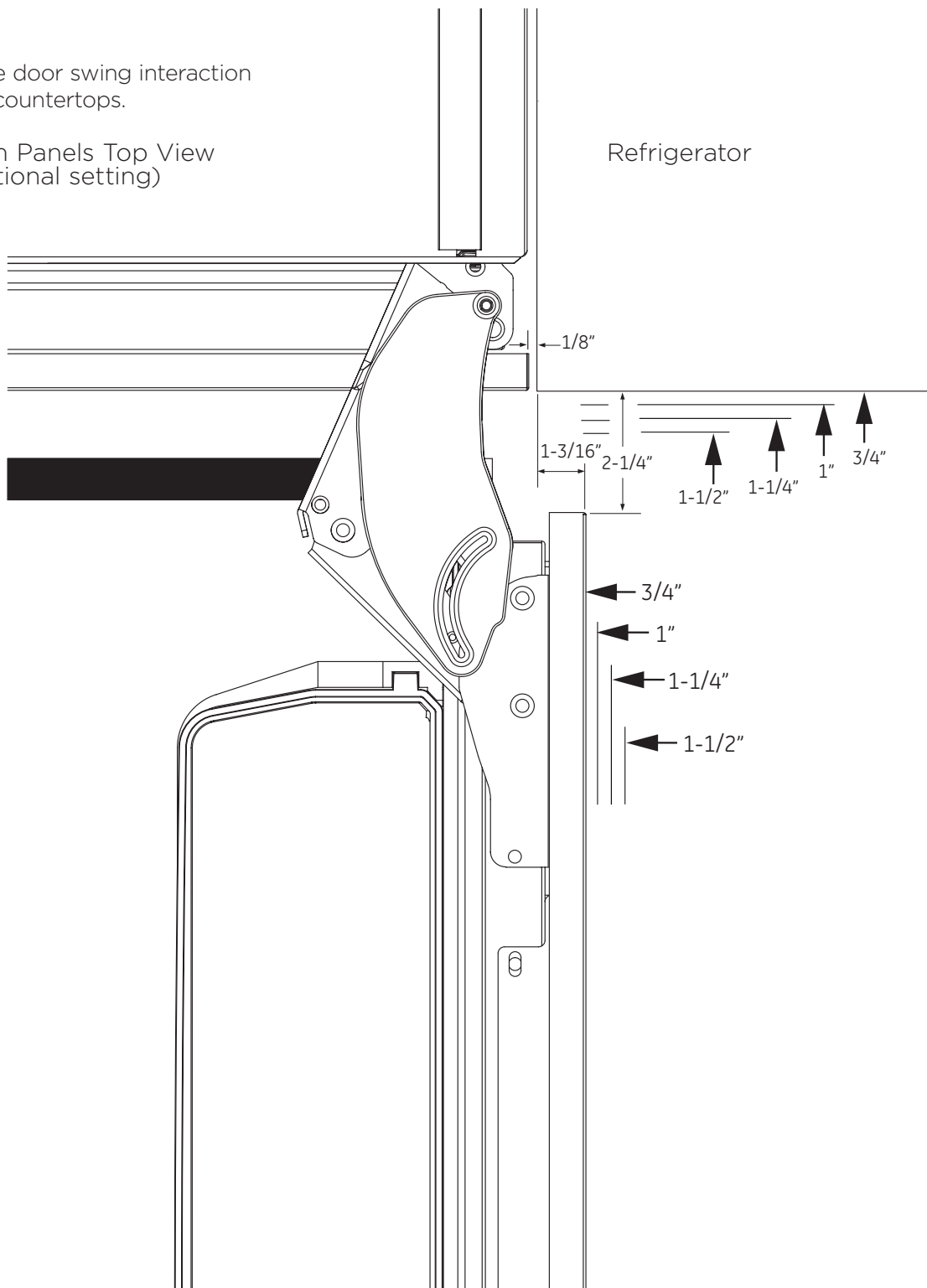
ZIC30GNHII/
ZIK30GNHII

DIMENSIONS AND INSTALLATION INFORMATION (IN INCHES)

Advance Planning

Use this page to determine door swing interaction with adjacent cabinets or countertops.

SS European or Custom Panels Top View
90° DOOR SWING (optional setting)



MONOGRAM



MONOGRAM 30" FULLY INTEGRATED CUSTOMIZABLE REFRIGERATORS FOR DUAL INSTALLATION

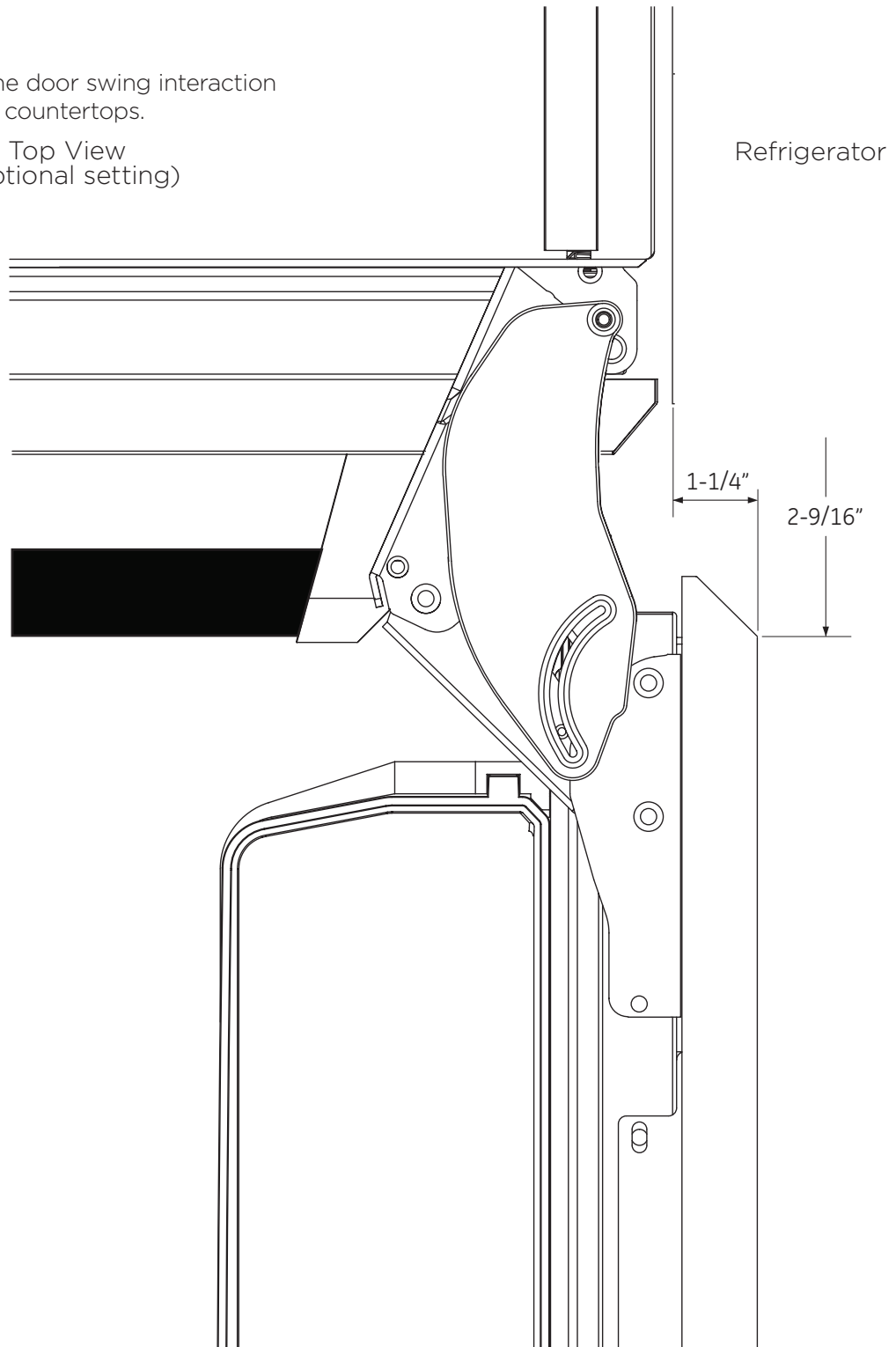
ZIC30GNHII/
ZIK30GNHII

DIMENSIONS AND INSTALLATION INFORMATION (IN INCHES)

Advance Planning

Use this page to determine door swing interaction with adjacent cabinets or countertops.

SS Professional Panels Top View
90° DOOR SWING (optional setting)



MONOGRAM



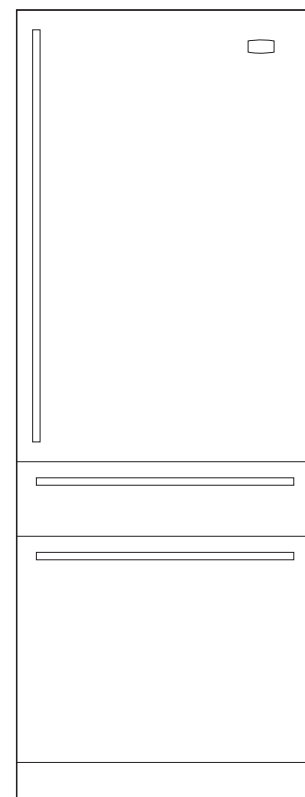
MONOGRAM 30" FULLY INTEGRATED CUSTOMIZABLE REFRIGERATORS FOR DUAL INSTALLATION

ZIC30GNHII/
ZIK30GNHII

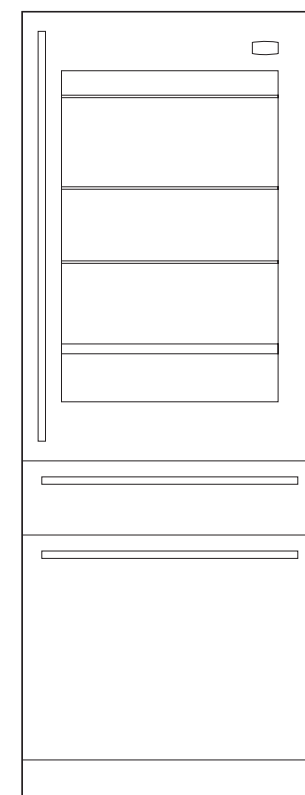
DIMENSIONS AND INSTALLATION INFORMATION (IN INCHES)

Features and Benefits

- Integrated design - Blends seamlessly with surrounding cabinetry and can be fitted with custom, professional or European-style panels in 80- or 84-inch heights
- Dual-refrigeration system - Provides precise and customizable climate control with three independent temperature-management zones
- Convertible lower drawer - With independent temperature controls can be used to store fresh food, frozen foods, wine or beverages
- GE unveils first HFC-free refrigerator in the U.S. - Replaces the standard hydrofluorocarbon (HFC) refrigerant with a hydrocarbon (HC) alternative, R600A
- Freezer drawer with electronic icemaker - Includes a removable ice bin and scoop and accommodates everyday freezer items
- LED interior lighting - Gradually brightens and dims when door or drawer is opened and closed
- Adjustable glass shelves - With aluminum trim provides an elegant and uncluttered appearance
- Soft-close freezer and convertible drawers - Smoothly and quietly slide into a secure shut position
- Illuminated, electronic glass-touch controls - Make it easy to adjust interior lighting, temperature (Fahrenheit or Celsius), control lock and other settings for all three climate zones
- GE water filtration system - Provides clean, fresh-tasting ice cubes (GSWF)
- Sabbath mode-capable - Allows the refrigerator to comply with kosher practices
- ENERGY STAR® qualified - To use less energy and save money (ZIC30GNHII model only)
- Model ZIC30GNHII - Solid door
- Model ZIK30GNHII - Glass door



ZIC30GNHII - Solid door



ZIK30GNHII - Glass door

MONOGRAM