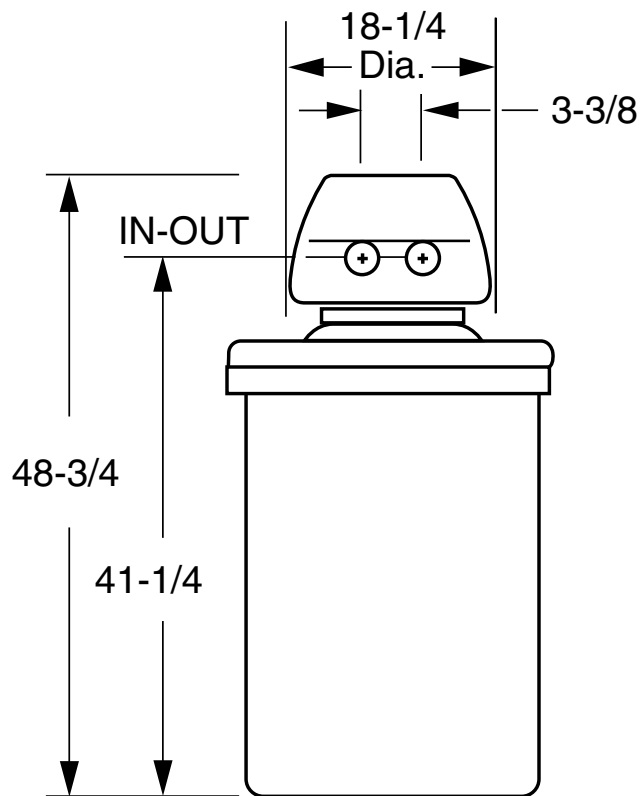




GE Appliances

GXSF27B—GE SmartWater™ Water Softening System



Salt Capacity – 200 lbs.

Warranty Information

Full One-Year Warranty –

(parts and labor at no additional charge) applies to entire unit.

Limited Three-Year Warranty –

(parts only) applies to electronic monitor.

Limited Ten-Year Warranty – (parts only)

applies to replacement cabinet (brine tank) or resin tank.

See written warranty, packed with product, for details.

Important: All units must be installed according to local codes.

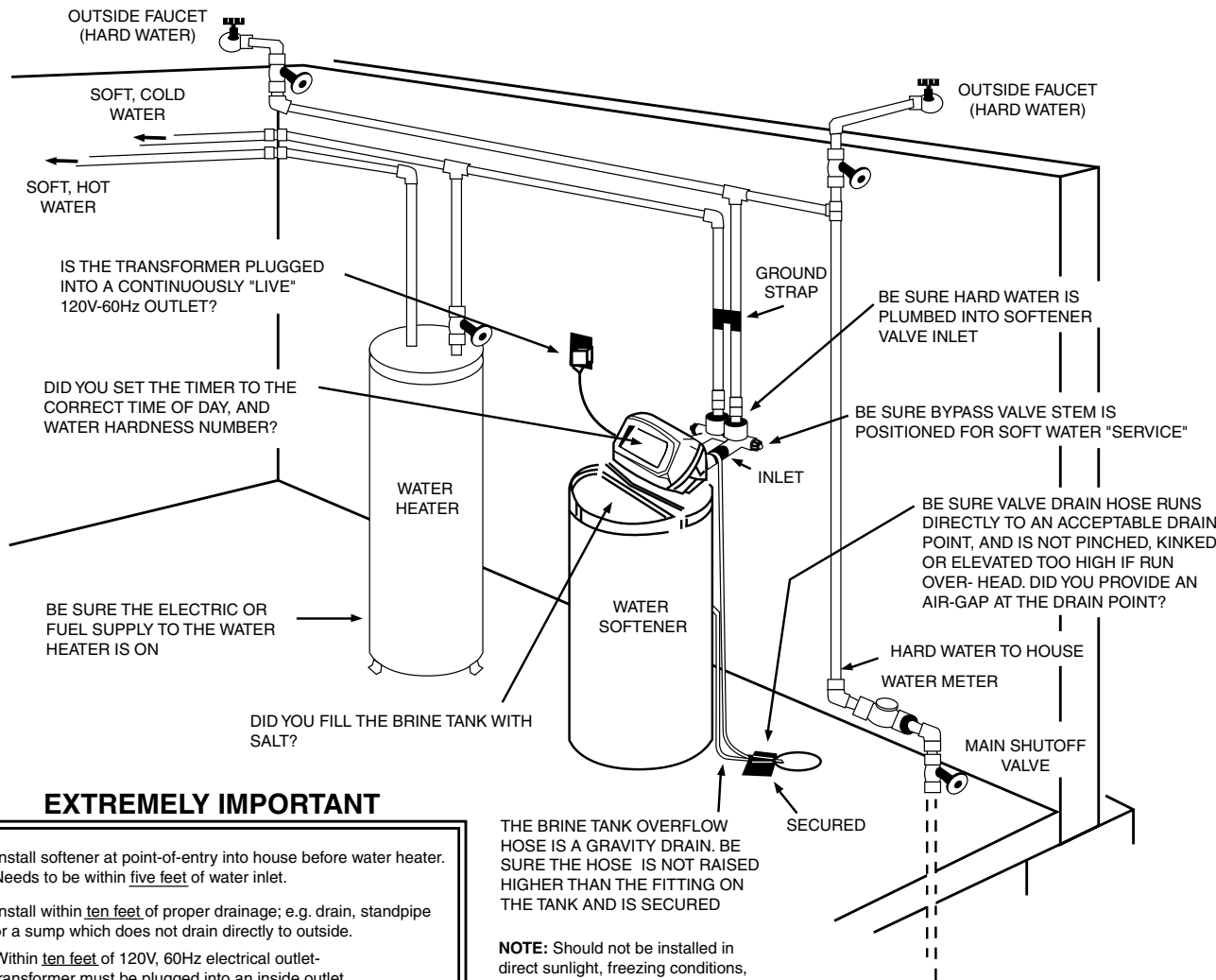
For answers to your Monogram®,
GE Profile Performance Series™,
GE Profile™ or GE appliance questions, call
GE Answer Center® service, 800.626.2000.





GE Appliances

GXSF27B—GE SmartWater™ Water Softening System



EXTREMELY IMPORTANT

- Install softener at point-of-entry into house before water heater. Needs to be within five feet of water inlet.
- Install within ten feet of proper drainage; e.g. drain, standpipe or a sump which does not drain directly to outside.
- Within ten feet of 120V, 60Hz electrical outlet-transformer must be plugged into an inside outlet.
- All units must be installed according to local plumbing and electrical regulations.

THE BRINE TANK OVERFLOW HOSE IS A GRAVITY DRAIN. BE SURE THE HOSE IS NOT RAISED HIGHER THAN THE FITTING ON THE TANK AND IS SECURED

NOTE: Should not be installed in direct sunlight, freezing conditions, or where unit can get wet.

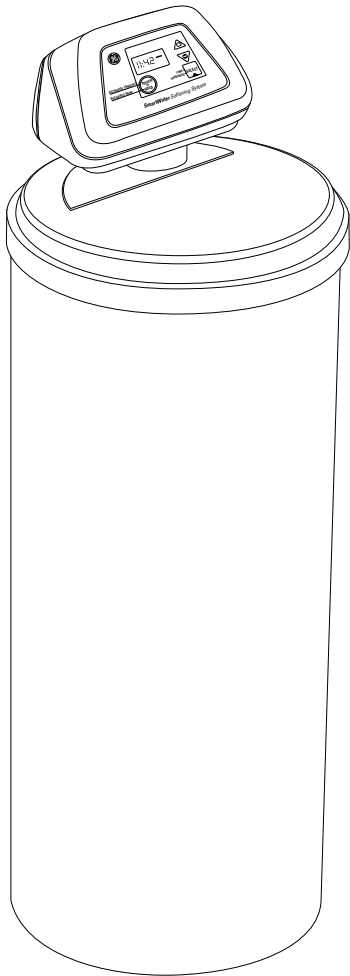
For answers to your Monogram®, GE Profile Performance Series™, GE Profile™ or GE appliance questions, call GE Answer Center® service, 800.626.2000.





GE Appliances

GXSf27B—GE SmartWater™ Water Softening System



Features and Benefits

- Grey Cabinet / Round Design
- Electronic-Demand Driven
- GE Easy-to-Set Electronic Controls
- Permanent Settings Memory
- 27,000 Grain Capacity
- Demand-Initiated Regeneration
- Efficiency (5200 gpg)
- Maximum Hardness Removal (95 gpg)
- Maximum Clear Water Iron Reduction (5 ppm)
- 24 Volt Electronic System
- Salt Capacity (200 lbs.)
- Water Used For Regeneration (25-30 gallons)
- Regeneration Time (118 minutes)
- Installation Kit, Bypass Valve and Drain Tubing Included