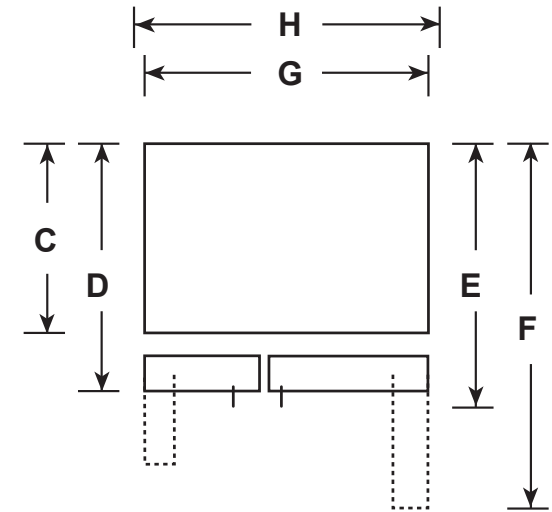
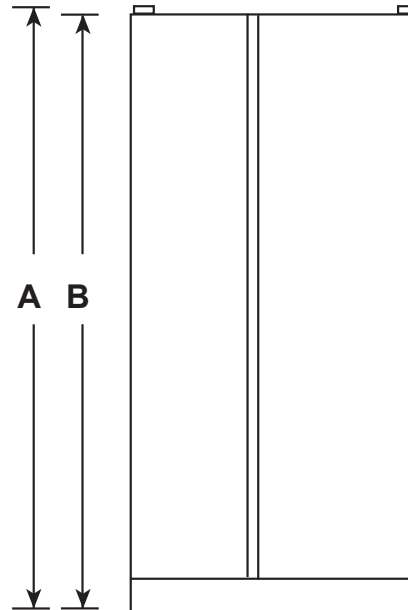


PZS23KPE

GE Profile™ Series 23.3 Cu. Ft. Counter-Depth Side-By-Side Refrigerator

DIMENSIONS AND INSTALLATION INFORMATION (IN INCHES)

OVERALL DIMENSIONS	Height to top of hinge (in.) A	69-1/4
	Height to top of case (in.) B	68-3/4
	Case depth without door (in.) C	23-7/8
	Case depth less door handle (in.) D	27-1/8
	Case depth with door handle (in.) E	28-3/4
	Depth with fresh food door open 90° (in.) F	46
	Width (in.) G	35-3/4
	Width with door open 90° with door handle (in.) H	40-1/8
AIR CLEARANCES	Each side (in.)	1/8
	Top (in.)	1
	Back (in.)	2



*Height to top of door trim (in.): 70-1/4

†Water hook-up fits in back air clearance when calculating installation depth.

If installed against a wall, allow clearance of 13-15/16" on freezer side to remove bin.

Clearance required to remove fresh food full-size pan without disassembling is 18-5/8".

Allow additional space for any necessary leveling adjustments.



GE APPLIANCES

For answers to your Monogram, GE Café™ Series, GE Profile™ Series or GE Appliances product questions, visit our website at geappliances.com or call GE Answer Center® Service, 800.626.2000.



Listed by
Underwriters
Laboratories



Specification Revised 12/15

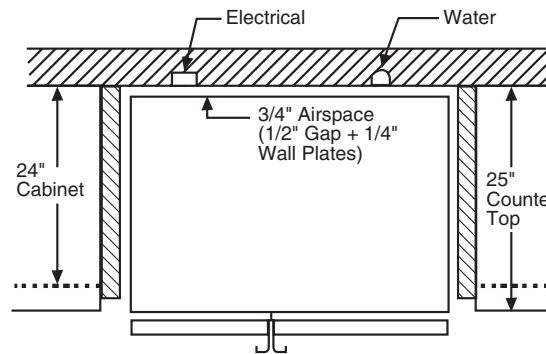
PZS23KPE

GE Profile™ Series 23.3 Cu. Ft. Counter-Depth Side-By-Side Refrigerator

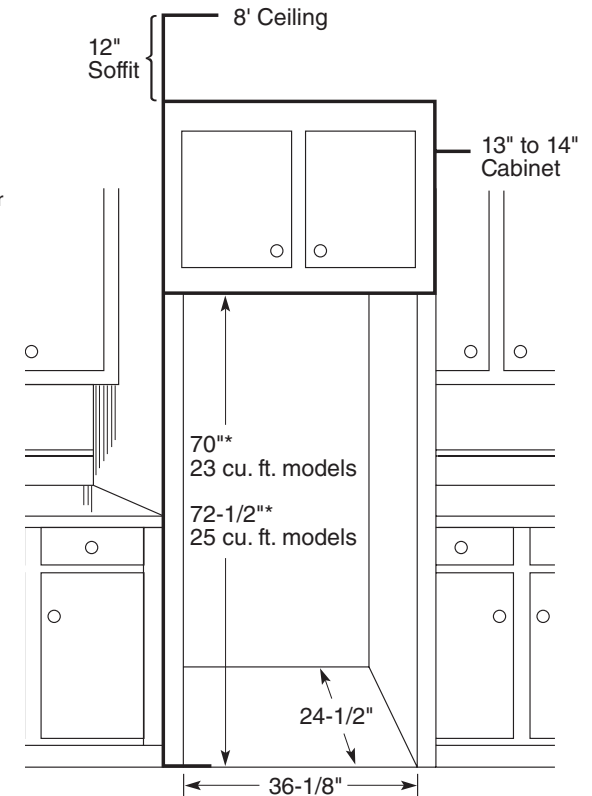
DIMENSIONS AND INSTALLATION INFORMATION (IN INCHES)

INSTALLATION TIPS TO MAXIMIZE THE BUILT-IN LOOK

- All wall/floor molding should be removed prior to installation.
- Water recess on rear wall recommended to prevent water line damage. 48" minimum length, 1/4" diameter water line tubing recommended.
- When possible, recess both copper water line and electrical outlet. (See local codes)
- Front and rear leveling legs are adjustable for the built-in look. (See owner's manual)
- If optional collar trim kit is to be used or anticipated, see collar trim installation for different rough-in dimensions



*The rough-in dimensions of 70" for 23 cu. ft. models and 72-1/2" for 25 cu. ft. models are minimum and measured from the finished floor to top of opening (or the underside of the overhead cabinets). For Models with Trim Kit: If frameless style cabinets are planned for above the refrigerator, you may need to consider adding a maximum of 1/4" (70-1/4") to height of opening for 23 cu. ft. models and 1/8" (72-5/8") for 25 cu. ft. models to allow for additional clearance between the cabinet doors and the top of refrigerator trim when the cabinet doors are in open position.



GE APPLIANCES

For answers to your Monogram, GE Café™ Series, GE Profile™ Series or GE Appliances product questions, visit our website at geappliances.com or call GE Answer Center® Service, 800.626.2000.



Listed by
Underwriters
Laboratories



Specification Revised 12/15

PZS23KPE

GE Profile™ Series 23.3 Cu. Ft. Counter-Depth Side-By-Side Refrigerator

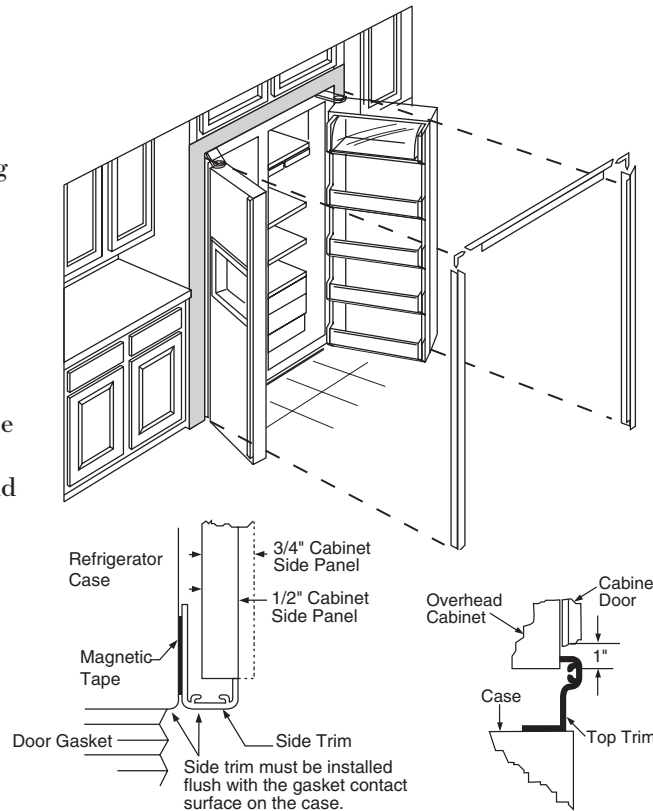
ROUGH-IN DIMENSIONS AND INSTALLATION INFORMATION (IN INCHES)

COLLAR TRIM INSTALLATION

An enclosure is required to match up to the trim, see Typical Installation. To obtain the most integrated look, the cabinet or soffit above the refrigerator should extend out to the same depth as the side panels. The refrigerator opening must have minimum dimensions of 70" high x 36-1/8" wide x 24-1/2" deep as shown at right. If there is an overhead cabinet, allow 1" for cabinet door clearance with the top trim piece so the cabinet doors can be opened without hitting the top trim. If 1/2" side panels are used, then side trim and panel will be even. If 3/4" side panels are used, then some of the side panel will extend beyond the trim and must be finished.

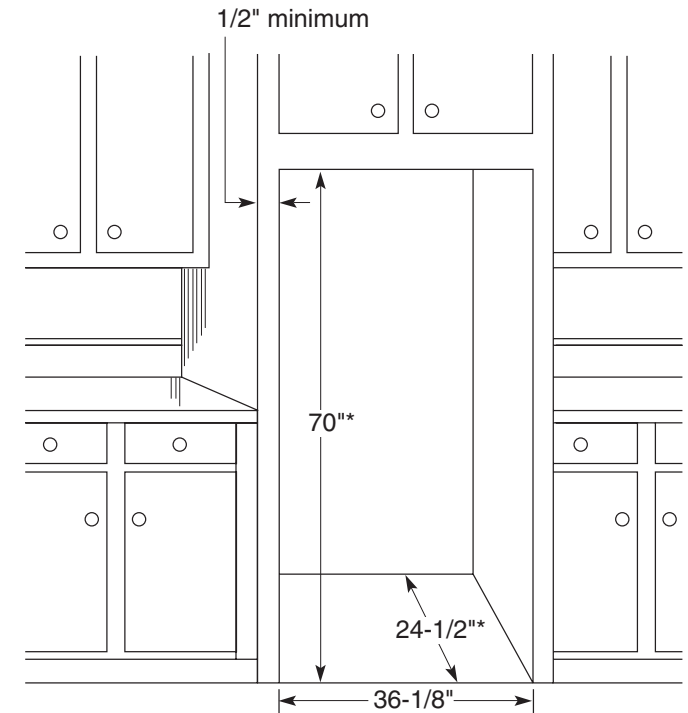
IMPORTANT: Before finalizing specifications for your GE Profile Counter-Depth Refrigerator, please **NOTE:**

- A minimum of 36-1/8" is required for refrigerator installation with collar
- Be sure to allow for 1/2" or 3/4" side panels in addition to the 36-1/8" minimum.



Typical Installation

Shaded areas represent front surfaces of side panels and overhead cabinet or soffit that contacts trim.



*The rough-in dimension of 70" is minimum and is measured from the finished floor to top of opening (or the underside of the overhead cabinets). For Models with Trim Kit: If frameless style cabinets are planned for above the refrigerator, you may need to consider adding a maximum of 1/4" (70-1/4") to height of opening to allow additional clearance between cabinet doors and top of refrigerator trim when cabinet doors are in open position.



GE APPLIANCES

For answers to your Monogram, GE Café™ Series, GE Profile™ Series or GE Appliances product questions, visit our website at geappliances.com or call GE Answer Center® Service, 800.626.2000.



Listed by
Underwriters
Laboratories



Specification Revised 12/15

PZS23KPE

GE Profile™ Series 23.3 Cu. Ft. Counter-Depth Side-By-Side Refrigerator

DIMENSIONS AND INSTALLATION INFORMATION (IN INCHES)

ORDER YOUR OWN CUSTOM WOOD PANELS TO MATCH CABINETRY OR OTHER DECOR.

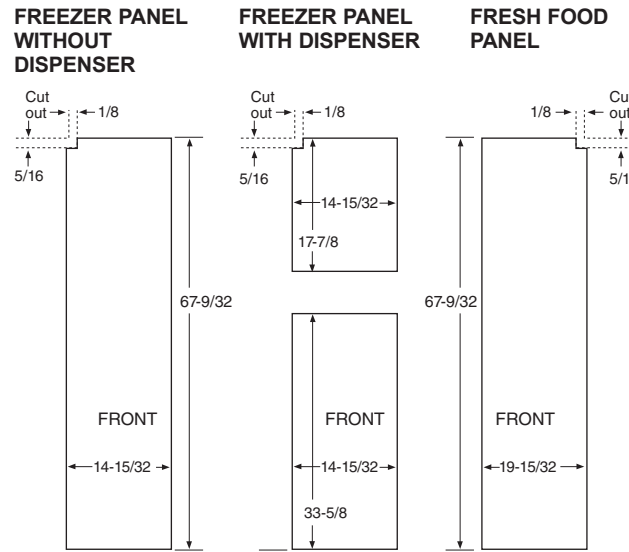
Panels up to 1/4" thick will fit door frame with no special preparation. Add filler behind material thinner than 1/4" for proper fit.

WEIGHT LIMITS: Total weight of panels (i.e., both freezer panels)—Fresh Food = 38 lbs., Freezer = 28 lbs.

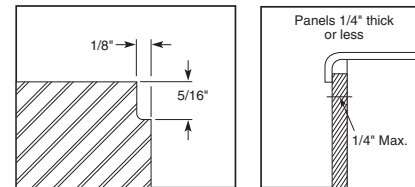
NOTE: Panels up to 3/4" will require special routing area around handles. Dimensions may vary depending on depth of panel.

IMPORTANT: Before finalizing specifications for your GE Profile Counter-Depth Refrigerator, **please NOTE:**

- A minimum of 36-1/8" is required for refrigerator installation with collar
- Be sure to allow for 1/2" or 3/4" side panels in addition to the 36-1/8" minimum.

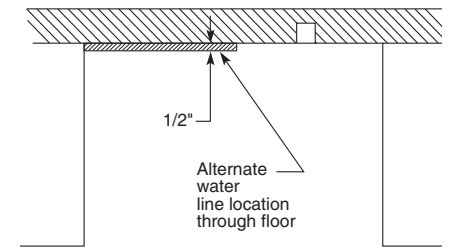


DETAIL C

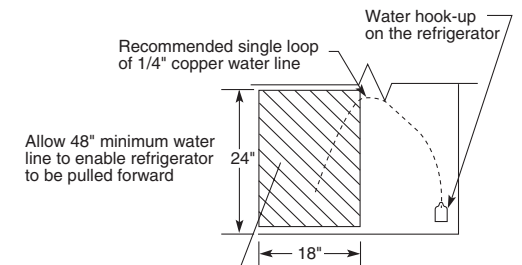


(FRESH FOOD PANEL SHOWN)
NOTCH REQUIRED AT TOP
CORNER AS NOTED.

INSTALLATION OF WATER OUTLETS



Top View



Allow 48" minimum water line to enable refrigerator to be pulled forward

Recommended water line location using recess in rear wall

Rear Wall View



GE APPLIANCES

For answers to your Monogram, GE Café™ Series, GE Profile™ Series or GE Appliances product questions, visit our website at geappliances.com or call GE Answer Center® Service, 800.626.2000.



Listed by
Underwriters
Laboratories



Specification Revised 12/15

PZS23KPE

GE Profile™ Series 23.3 Cu. Ft. Counter-Depth Side-By-Side Refrigerator

FEATURES AND BENEFITS

Counter-depth design – Offers a built-in look by fitting nearly flush with surrounding cabinetry

70" tall

Integrated shelf support system – Provides strong, flexible support

Adjustable slide-out, spillproof glass shelves – Raised edges help contain spills and make cleanup quick and easy

Adjustable Clear Look door bins – Offer ideal space for storing large containers in the door and free up valuable space

In-the-door beverage rack – Beverages are chilled and ready without taking up valuable space

Tilt-out freezer bins – Rotate forward for convenient access

Quick Ice setting – Creates ice up to 50% faster than normal settings

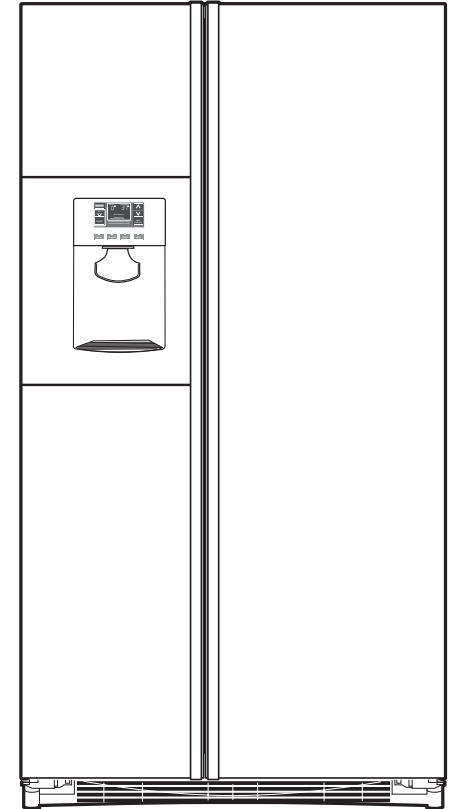
Turbo Cool setting – Drops interior temperature to maintain freshness after frequent openings

Advanced filtration – Removes trace pharmaceuticals from water and ice* and uses replacement filter MWF

(*Removes ibuprofen, atenolol, fluoxetine, progesterone and trimethoprim. These pharmaceuticals are not necessarily in all users' water.)

Model PZS23KPEWV – White

Model PZS23KPEBV – Black



GE APPLIANCES