

# PT7550DF

## GE Profile™ Series 30 in. Built-In Double Wall Oven with Convection

### DIMENSIONS AND INSTALLATION INFORMATION (IN INCHES)

**NOTE:** Cabinets installed adjacent to wall ovens must have an adhesion spec of at least a 194°F temperature rating.

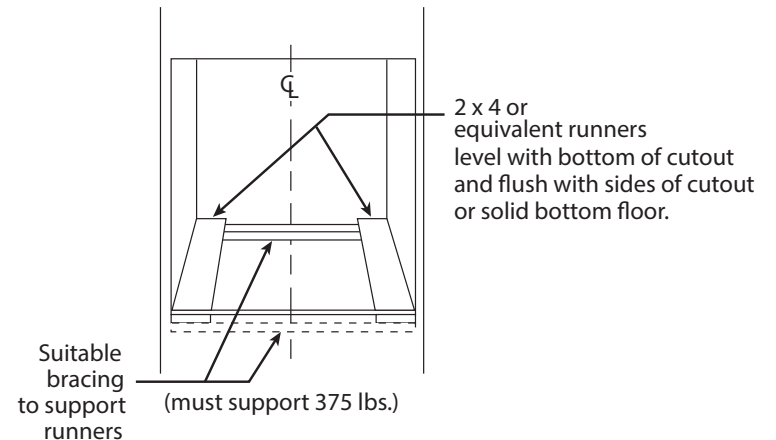
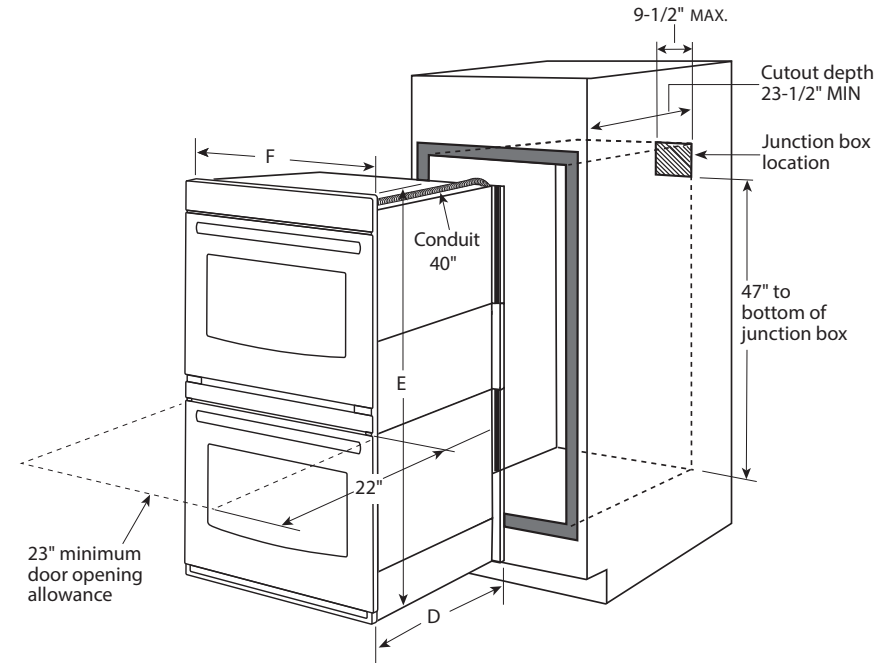
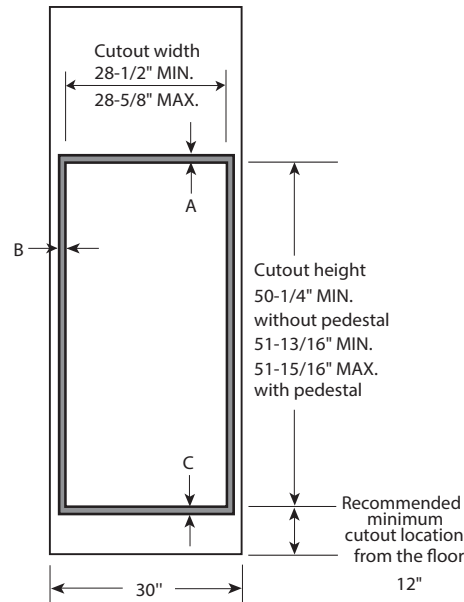
Door handle protrudes 3" from door face. Cabinets and drawers on adjacent 45° and 90° walls should be placed to avoid interference with the handle.

Electric wall ovens are not approved for installation with a plug and receptacle. They must be hard wired in accordance with installation instructions.

**INSTALLATION INFORMATION:** Before installing, consult installation instructions packed with product for current dimensional data.

| KW RATING    |         |
|--------------|---------|
| 240V         | 7.6     |
| 208V         | 5.7     |
| BREAKER SIZE |         |
| 240V         | 40 Amps |
| 208V         | 40 Amps |

|  | PT7550  |
|--|---------|
| Cabinet  | 30"     |
| A – Overlap of oven at top of cutout             | 1"      |
| B – Overlap of oven over side of edges of cutout | 3/4"    |
| C – Overlap of oven at bottom of cutout          | 1-1/4"  |
| Oven   |         |
| D – Install depth                                | 23-1/2" |
| E – Overall height with trim                     | 53"     |
| F – Overall width                                | 29-3/4" |



For answers to your Monogram, GE Café™ Series, GE Profile™ Series or GE Appliances product questions, visit our website at [geappliances.com](http://geappliances.com) or call GE Answer Center® Service, 800.626.2000.



Listed by Underwriters Laboratories



Specification Revised 4/16

# PT7550DF

## GE Profile™ Series 30 in. Built-In Double Wall Oven with Convection

### FEATURES AND BENEFITS

True European Convection with Direct Air (upper oven only) - Bakes evenly as warm air blows from the top in and around bakeware

Ten-pass bake element - Even baking is assured with heat that covers more surface area

Ten-pass dual broil element - Large and small dishes brown evenly with two, full-coverage elements

Self-clean heavy-duty roller rack - Easily access items with a rack that glides smoothly

Progressive halogen oven lighting - See what you're baking with lights that slowly illuminate the oven

Self-clean with steam clean option (both ovens) - Clean your oven the way you want

Glass touch controls - Set temperatures quickly and clean with little effort

Double oven 10.0 cu. ft. total oven capacity (5.0 cu. ft. both ovens) - Large meals are easy with capacity that fits more at one time

Black gloss oven interior - Enjoy a clean and sleek appearance

Hidden bake - Make cleanup easy by eliminating hard-to-reach areas

Model PT7550DFBB - Black on black

Model PT7550DFWW - White on white

### GUARANTEED FIT

Replacing a similar wall oven from GE or another brand? GE wall ovens are guaranteed for an exact fit to make replacement easy

Visit [geappliances.com](http://geappliances.com) for more info

