

PT925SN

GE Profile™ Series 30 in. Built-In Single/Double Convection Wall Oven

DIMENSIONS AND INSTALLATION INFORMATION (IN INCHES)

MOST 30" WALL CABINETS CAN BE USED WITH THIS UNIT.

NOTE: These ovens are not approved for stackable installations. Cabinets installed adjacent to wall ovens must have an adhesion spec of at least a 194°F temperature rating.

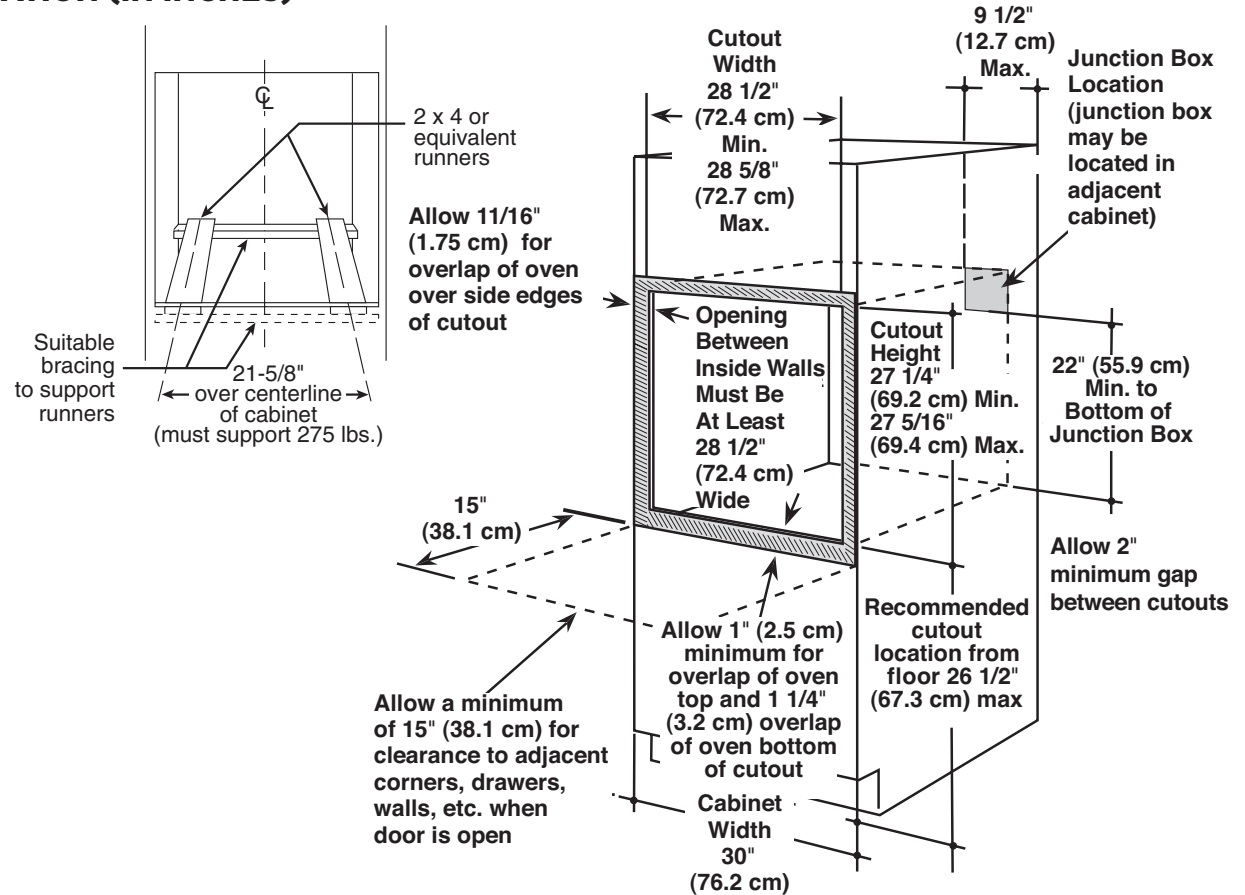
Door handle protrudes 3" from door face. Cabinets and drawers on adjacent 45° and 90° walls should be placed to avoid interference with the handle.

Electric wall ovens are not approved for installation with a plug and receptacle. They must be hard wired in accordance with installation instructions.

INSTALLATION INFORMATION: Before installing, consult installation instructions packed with product for current dimensional data.

Side-by-side installations require at least 2" between cutouts.

KW RATING	
240V	3.9
208V	2.9
BREAKER SIZE	
240V	20 Amps
208V	20 Amps



Dimension and installation information are shown in inches.



For answers to your Monogram, GE Café™ Series, GE Profile™ Series or GE Appliances product questions, visit our website at geappliances.com or call GE Answer Center® Service, 800.626.2000.



Listed by Underwriters Laboratories



PT925SN

GE Profile™ Series 30 in. Built-In Single/Double Convection Wall Oven

OPTIONAL UNDERCOUNTER DIMENSIONS AND INSTALLATION INFORMATION

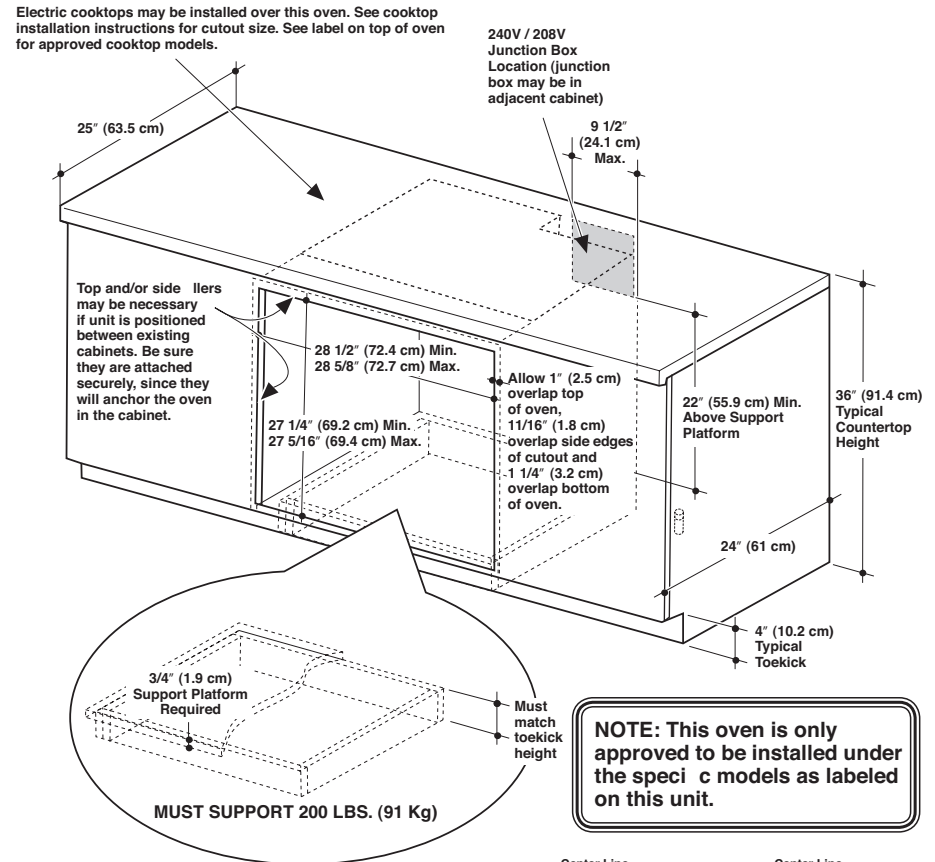
NOTE: Specific 30" and 36" radiant cooktops with knob controls are approved for use over the GE Profile single/double PT925: JP346, JP356, PP912, PP932, PP942, JP655, PP963, PP972 and ZEU36K. Refer to cooktop and wall oven installation information packed with products for current dimensional data.

NOTE: Gas cooktops are not approved for use over the GE Profile single/double PT925. The gas cooktops are too deep to fit above the new wall oven.

NOTE: Cabinets installed adjacent to wall ovens must have an adhesion spec of at least a 194°F temperature rating.

NOTE: 30" and 36" Induction cooktops with knob-free electronic controls are approved for use over the GE Profile single/double PT925: PHP900, PHP960, ZHU30 and ZHU36.

INSTALLATION INFORMATION: Before installing, consult installation instructions packed with product for current dimensional data.



For answers to your Monogram, GE Café™ Series, GE Profile™ Series or GE Appliances product questions, visit our website at geappliances.com or call GE Answer Center® Service, 800.626.2000.



Listed by Underwriters Laboratories



PT925SN

GE Profile™ Series 30 in. Built-In Single/Double Convection Wall Oven

FEATURES AND BENEFITS

True European Convection with Precise Air (Lower Oven) - Enjoy perfectly even results without turning the pan

Six-Pass Broil Element - Get full broil coverage and even browning from edge to edge

Self-Clean Oven (Both Ovens)- Cleans the oven cavity without the need for scrubbing

Self-Clean, Heavy-Duty Oven Racks - Conveniently clean your oven and racks together

Glass Touch Tontrols - Set temperatures quickly and clean with little effort

Halogen oven lighting - Easily see how your food is baking

5.0 cu. ft. oven capacity - Cook more dishes at once

Model PT925SNSS - Stainless steel

GUARANTEED FIT

Replacing a similar wall oven from GE or another brand? GE wall ovens are guaranteed for an exact fit to make replacement easy

Visit geappliances.com for more info

