

CGP350SET

GE Café™ Series 30" Built-In Gas Cooktop

DIMENSIONS AND INSTALLATION INFORMATION

AGA REQUIREMENT: All gas cooktop models require 7/16" free area below cooktop height to combustible material. Requires 18" minimum from countertop to adjacent overhead cabinets.

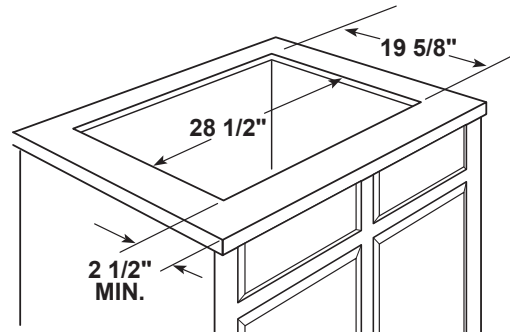
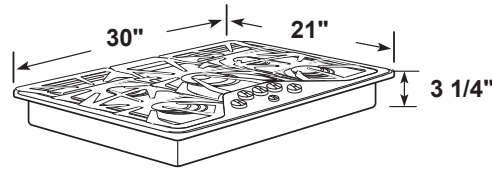
NOTE: If installing with a GE Profile™ Telescopic Downdraft System, consult both cooktop and downdraft installation instructions packed with product before installing. Cooktop gas/electric supply may need to be re-routed to install downdraft.

ELECTRICAL RATING: 120V, 60Hz, 5A

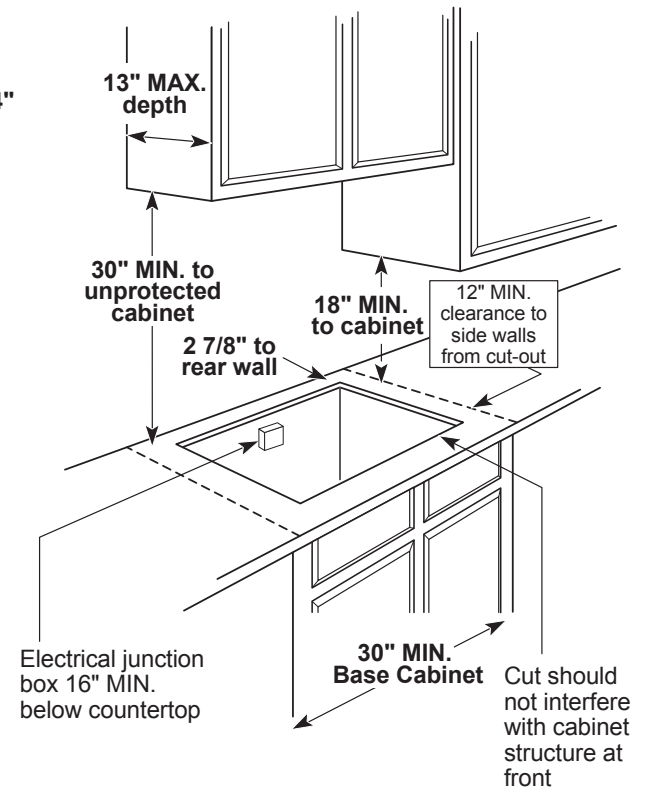
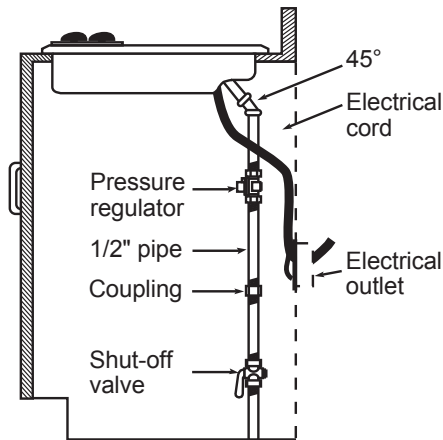
INSTALLATION WITH SINGLE WALL OVEN INFORMATION:

30" Gas Cooktops are approved for use over select GE 27" and 30" Wall Ovens and Warming Drawers. 30" and 36" Gas cooktops are approved for use over select 30" Wall Ovens and Warming Drawers. Refer to cooktop and wall oven/warming drawer installation instructions packed with product for current dimensional data.

INSTALLATION INFORMATION: Before installing, consult installation instructions, packed with product, for current dimensional data.



Gas Connection



Dimension and installation information are shown in inches.

Dimension and installation information are shown in inches.

*Allow 5-3/4" depth at rear for electrical and gas connections



For answers to your Monogram, GE Café™ Series, GE Profile™ Series or GE Appliances product questions, visit our website at geappliances.com or call GE Answer Center® Service, 800.626.2000.



Specification Revised 8/17

CGP350SET

GE Café™ Series 30" Built-In Gas Cooktop

FEATURES AND BENEFITS

Deep-recessed cooktop - Deep-recessed cooktop contains spills in one area that's easy to wipe clean

Sealed cooktop burners - Burner elements are sealed to the cooktop to keep foods and liquid contained on the cooktop, making cleaning painless

20,000 BTU tri-ring burner - Three-in-one burner is designed for accelerated boiling and gentle simmering

Non-stick griddle - Prepare pancakes, eggs, bacon and more on the large, non-stick surface

Precise Simmer burner - Allows for low, even heat distribution that is ideal delicate foods and sauces

Matte Black Heavy-Cast Grates - Premium cast-iron offers superior performance

Model CGP350SETSS - Stainless Steel

GUARANTEED FIT

Replacing a similar cooktop from GE or another brand? GE cooktops are guaranteed for an exact fit to make replacement easy

Visit geappliances.com for more info

