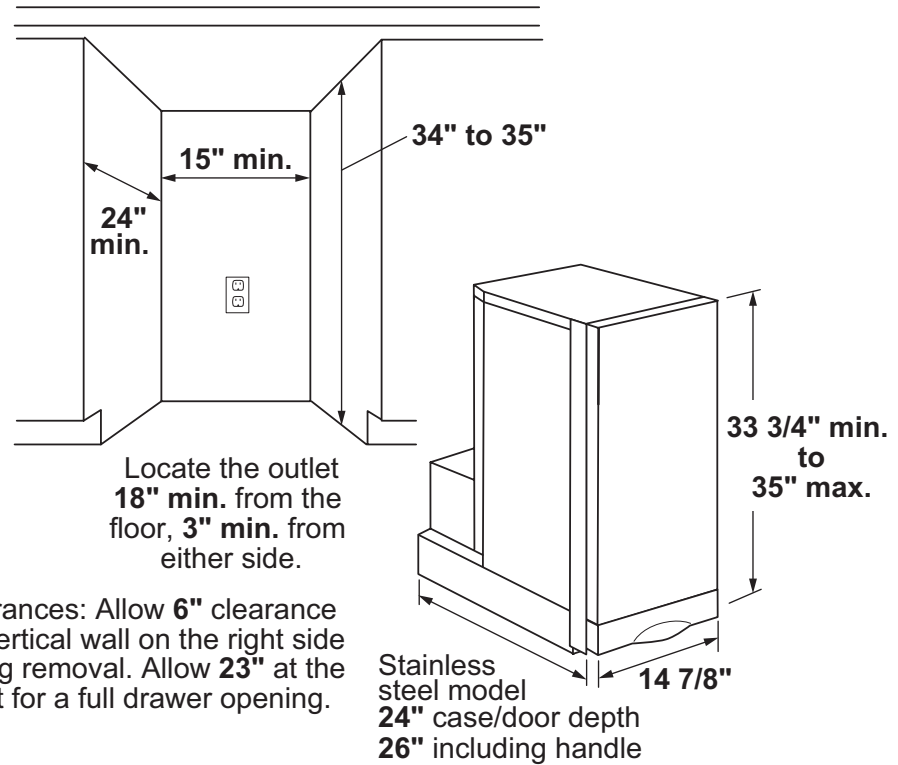


GCG1580R

Profile™ Series 15" Built-In Compactor

Dimensions and Installation Information (in inches)



For answers to your Monogram,® Cafe™ Series, Profile™ Series or GE® appliance questions, visit our website at geappliances.com or call GE Answer Center® service, 800.626.2000.



imagination at work



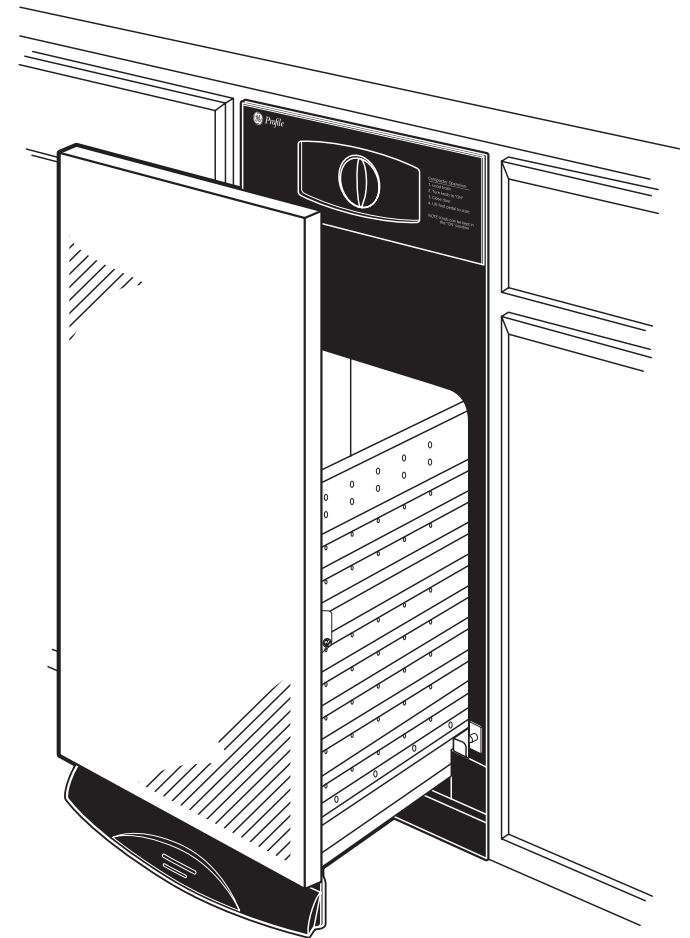
Specification Revised 3/17

GCG1580R

Profile™ Series 15" Built-In Compactor

Features and Benefits

- Stainless door with sculptured handle - Creates an elegant appearance with a sleek stainless steel door and handle designed to coordinate beautifully with other Profile Series appliances
- Hidden controls - The controls are hidden behind the compactor door, lending a beautiful designer appearance
- Built-in only - The compactor is built-in to adjacent cabinetry for an upscale appearance
- 1.4 cu. ft. capacity - Provides plenty of room for waste items or recyclables
- 1/3 HP motor - Powerful motor provides maximum compacting power
- Removable key lock - Provides added safety by assuring the drawer remains locked during use
- Toe pedal opener - Hands-free toe pedal drawer makes it easy to open and load
- Automatic anti-jam - Operation is easy and reliable, even with a challenging load
- Rear wheels - Allow easy movement and installation
- Removable drawer - Makes it simple to empty and clean
- Model GCG1580RSS - Stainless steel



imagination at work