

Installation Instructions

Glass Wall Chimney Vent Hoods PVW7301, PVW7361

? "If you have questions, call 800.GE.CARES (800.432.2737) or visit our website at: GEAppliances.com"

BEFORE YOU BEGIN

Read these instructions completely and carefully.

- **IMPORTANT** — Save these instructions for local inspector's use.
- **IMPORTANT** — Observe all governing codes and ordinances.
- **Note to Installer** – Be sure to leave these instructions with the Consumer.
- **Note to Consumer** – Keep these instructions for future reference.
- **Skill level** – Installation of this vent hood requires basic mechanical and electrical skills.
- **Completion time** – Approximately 1 to 3 hours
- Proper installation is the responsibility of the installer.
- Product failure due to improper installation is not covered under the Warranty.

⚠ CAUTION: Due to the weight and size of these vent hoods and to reduce the risk of personal injury or damage to the product, **TWO PEOPLE ARE REQUIRED FOR PROPER INSTALLATION.**

FOR YOUR SAFETY:

⚠ WARNING: Before beginning the installation, switch power off at service panel and lock the service disconnecting means to prevent power from being switched on accidentally. When the service disconnecting means cannot be locked, securely fasten a prominent warning device, such as a tag, to the service panel.

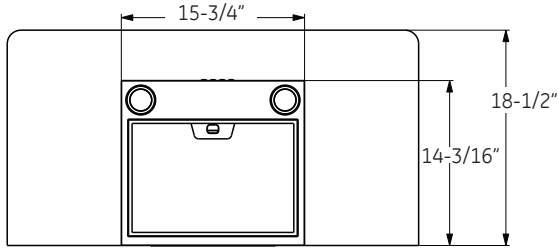
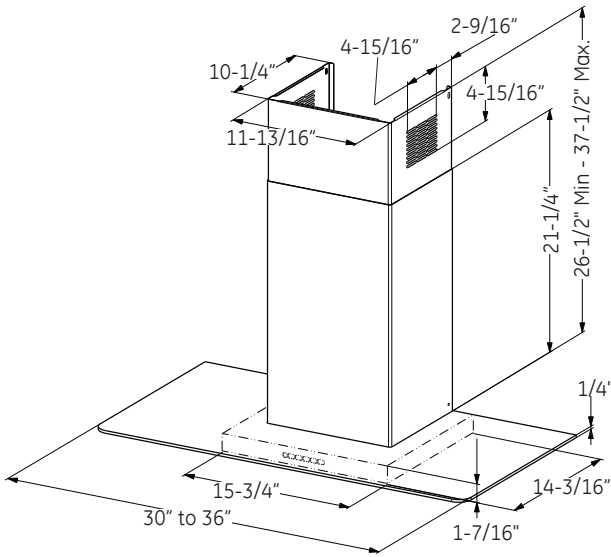
⚠ WARNING: TO REDUCE THE RISK OF FIRE, ELECTRIC SHOCK OR INJURY TO PERSONS, OBSERVE THE FOLLOWING:

- A. Installation work and electrical wiring must be done by qualified person(s) in accordance with all applicable codes and standards, including fire-rated construction.
- B. Sufficient air is needed for proper combustion and exhausting of gases through the flue (chimney) of fuel burning equipment to prevent back drafting. Follow the heating equipment manufacturer's guidelines and safety standards such as those published by the National Fire Protection Association (NFPA), the American Society for Heating, Refrigeration and Air Conditioning Engineers (ASHRAE) and the local code authorities.
- C. When cutting or drilling into wall or ceiling, do not damage electrical wiring and other hidden utilities.
- D. Ducted fans must always be vented to the outdoors.
- E. Turn off breaker to adjacent rooms while working.

⚠ WARNING: TO REDUCE THE RISK OF FIRE, USE ONLY METAL DUCT WORK.

Installation Preparation

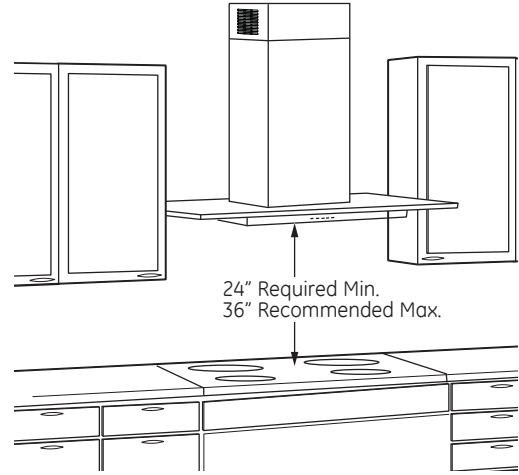
PRODUCT DIMENSIONS



INSTALLATION CLEARANCES

These vent hoods are designed to be installed onto a wall with no above cabinets.

- Install these hoods between the 24" required minimum and 36" recommended maximum above the cooking surface.



The vent hood must be installed between the 24" required minimum and 36" recommended maximum above the cooking surface. The hood installation height above the cooking surface depends upon ceiling height and duct cover limitations. The telescopic duct cover conceals the ductwork running from the top of the hood to the ceiling. For supplied duct cover ceiling heights, see table on page 5.

NOTE: Installation height should be measured from the cooking surface to the lowest part of the hood. This hood must be installed onto a wall. It can be vented to the outdoors, or it can be installed for recirculating operation. For recirculation operation, see **Recirculation Install Planning**.

Installation Preparation

ADVANCE PLANNING

Duct Install Planning

- This hood is designed to be vented vertically through the ceiling. Use a 6" round duct. Use locally supplied elbows to vent horizontally through the rear wall.
- Use metal ductwork only.
- Determine the exact location of the vent hood.
- Plan the route for venting exhaust to the outdoors. To maximize the ventilation performance of the vent system:
 1. Minimize the duct run length and number of transitions and elbows.
 2. Maintain a constant duct size.
 3. Seal all joints with duct tape to prevent any leaks.
 4. Do not use any type of flexible ducting.
- Install a wall cap or roof cap with damper at the exterior opening. Purchase the wall or roof cap and any transition and length of duct needed in advance.
- When applicable, install any makeup (replacement) air system in accordance with local building code requirements. Visit GEAppliances.com for available makeup air solutions.

Recirculation Install Planning

A recirculation duct (included) and one charcoal filter (not included) are necessary for recirculation installation.

Power Supply Planning

The location of the power supply connection is called out in the **Prepare the Wall** section on page 6.

POWER SUPPLY

IMPORTANT – (Please read carefully)

⚠ WARNING:

FOR PERSONAL SAFETY, THIS APPLIANCE MUST BE PROPERLY GROUNDED.

Remove house fuse or open circuit breaker before beginning installation.

Do not use an extension cord or adapter plug with this appliance. Follow National Electrical Codes or prevailing local codes and ordinances.

Electrical supply

These vent hoods must be supplied with 120V, 60Hz, and connected to an individual, properly grounded branch circuit, and protected by a 15 or 20 amp circuit breaker or time delay fuse.

- Wiring must be 2 wire with ground.
- If the electrical supply does not meet the above requirements, call a licensed electrician before proceeding.
- Route house wiring as close to the installation location as possible in the ceiling or wall.
- Connect the wiring to the house wiring in accordance with local codes.

Grounding instructions

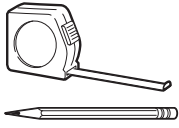
The grounding conductor must be connected to a ground metal, permanent wiring system, or an equipment-grounding terminal or lead on the hood.

⚠ WARNING: The improper connection of the equipment-grounding conductor can result in a risk of electric shock. Check with a qualified electrician or service representative if you are in doubt whether the appliance is properly grounded.

Installation Preparation

TOOLS AND MATERIALS REQUIRED

(NOT SUPPLIED)



Pencil and tape measure



Safety glasses



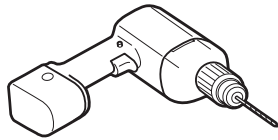
Phillips screwdriver



Level



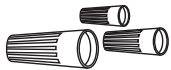
Wire cutter/stripper



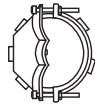
Electric drill with #2 Phillips, flat head, and 9/32" drill bit



Aluminized Duct tape



UL listed wire nuts



Strain relief for junction box

REMOVE THE PACKAGING

CAUTION: Wear gloves to protect against sharp edges.

- Remove the duct covers.
- Remove the hardware bag, literature package and other boxed parts.
- Remove and properly discard the protective plastic wrapping and other packaging materials.

PLAN THE INSTALLATION

CAUTION: To reduce risk of fire and to properly exhaust air, be sure to duct the air outside – Do not vent exhaust air into spaces within walls or ceilings or into attics, crawl spaces, or garages.

PARTS SUPPLIED FOR INSTALLATION

- 1 Hardware Package
- 1 Literature Package

PARTS NEEDED FOR INSTALLATION

- 1 Strain Relief
- Power Supply Cable
- 1 Wall or Roof Cap (for ducted venting only)
- All Metal Ductwork (for ducted venting only)
- Recirculation Duct (for recirculation install only)

WARNING: PERSONAL INJURY HAZARD

Because of the weight and size of the rangehood canopy. It is recommended that 2 people are used to install the range hood. Failure to properly lift rangehood could result in damage to the product or personal injury.

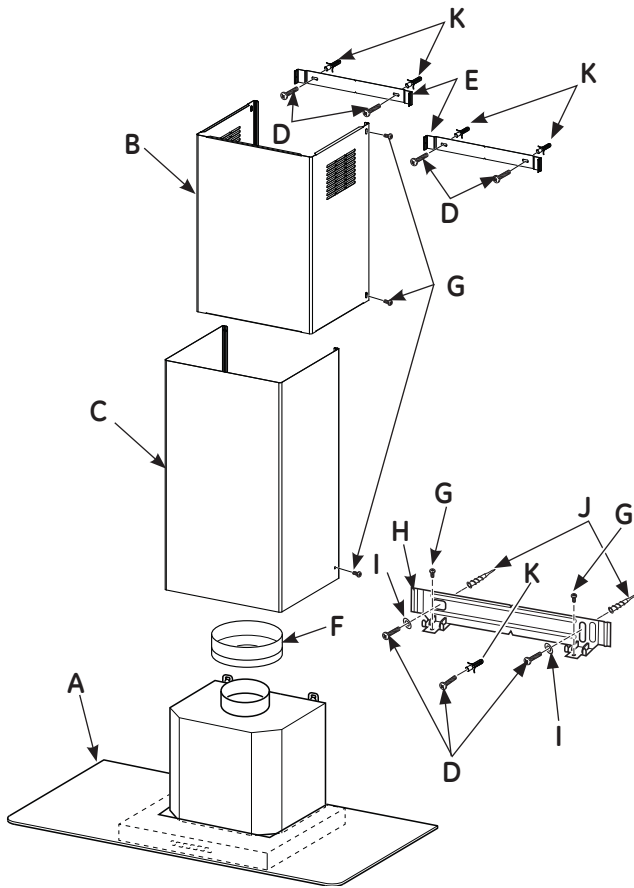
NOTE: This rangehood can be installed as either ducted or recirculation. In a ducted application, this rangehood can be vented through the wall or ceiling. When installed for recirculation, the rangehood vents out the sides of the duct cover.

NOTE: Before making any cuts or holes for installation, determine which venting method will be used and carefully calculate all measurements.

Installation Preparation

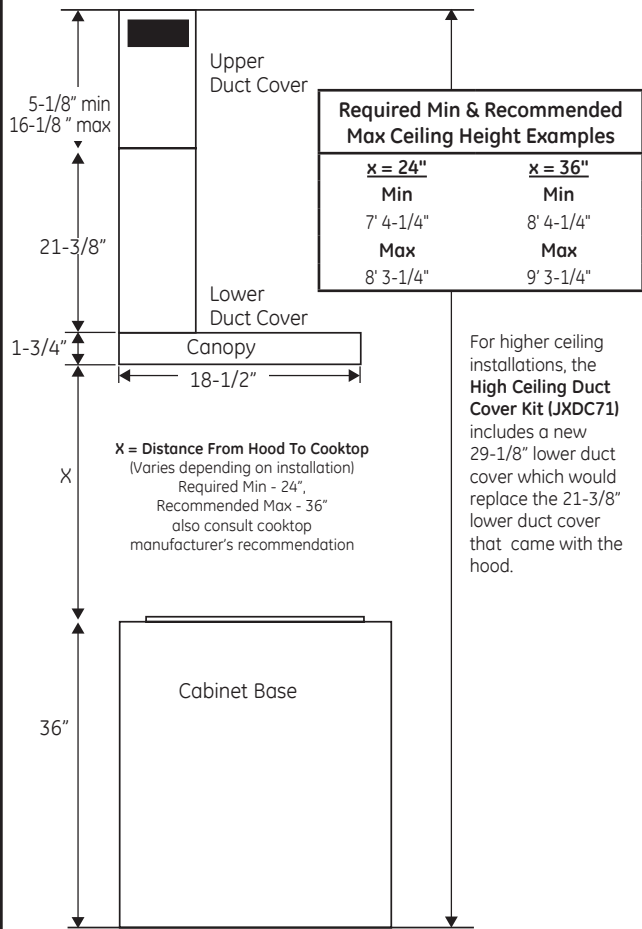
RANGE HOOD COMPONENTS

- A. Canopy Section
- B. Upper Duct Cover
- C. Lower Duct Cover
- D. Mounting Screws
- E. Duct Cover Mounting Brackets
- F. Damper
- G. Duct Cover Screws
- H. Mounting Bracket
- I. Washers
- J. Canopy Mounting Anchors
- K. Duct Cover Anchors
- L. Dry Wall Self-Tapping Screws (for Junction Box)

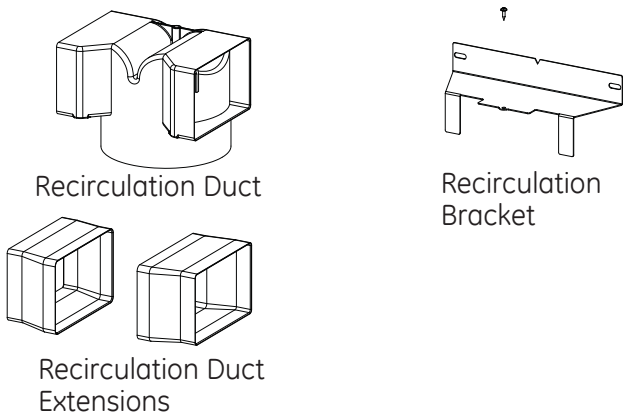


INSTALLATION DIMENSIONS

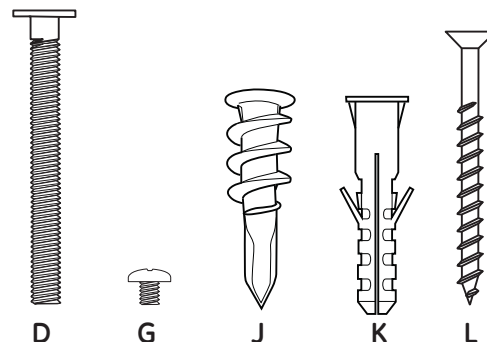
The Glass Chimney Hoods are adjustable and designed to meet varying ceiling heights. The duct covers can be adjusted for ceilings between 7' 4-1/4" and 9' 3-1/4" depending on the distance between the bottom of the hood and the cooktop (distance X).



RECIRCULATION COMPONENTS



HARDWARE COMPONENTS

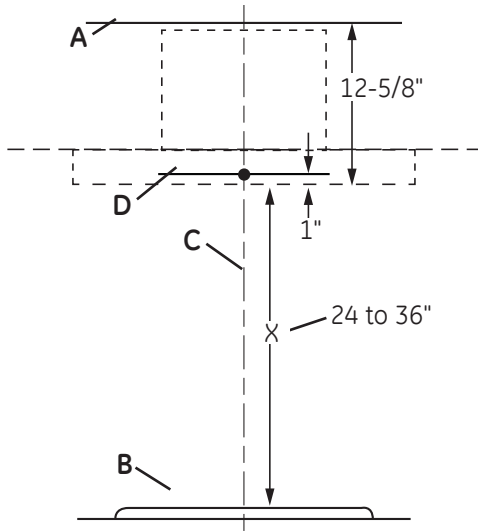


Installation Preparation

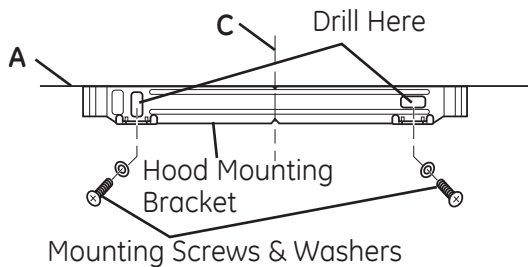
PREPARE THE WALL

Hood Body

1. Put a protective covering over the surface below the location of the hood to protect from dirt and/or damage.
2. Determine and mark the centerline on the wall (draw line up to the ceiling) where the range hood will be installed. Based on the ceiling height, determine the distance 24" required min, 36" recommended max (X) needed between the cooking surface (B) and the bottom of the hood. To this distance, add 12-5/8" and draw a horizontal line (A) about 24" long centered on the vertical centerline (C).



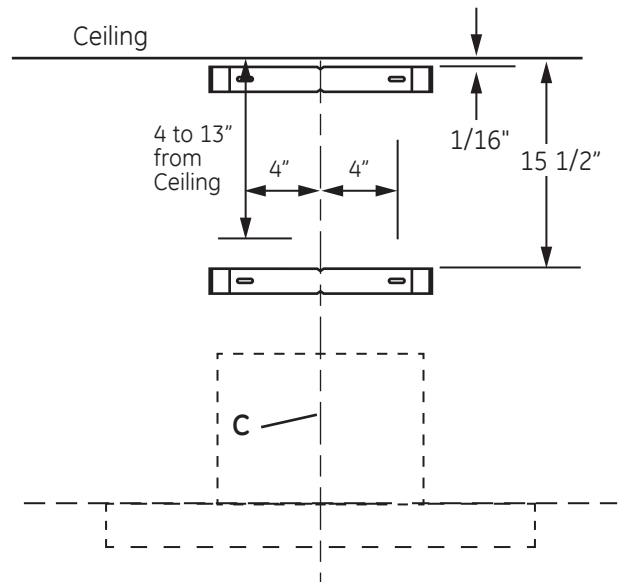
3. Align the top edge of the mounting bracket with the horizontal line (A). Align the center notches of the bracket with the centerline (C) and mark the center of the bracket holes. Remove the bracket to drill the 2 canopy mounting anchors into the wall at the markings. Place the mounting bracket back on the wall and install the 2 mounting screws with 2 washers into the anchors. Tighten screws.



4. Draw a second horizontal line (D) that is 1" added from the (X) distance. Drill a hole into the wall with a 9/32" drill bit at the intersection of the horizontal line (D) and vertical centerline (C). Insert a duct cover anchor.

Duct Covers and Power Supply

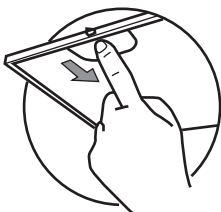
1. Place one of the duct cover brackets against the wall so that its top edge is 1/16" from the ceiling and level. Align the center notches of the bracket and the centerline (C) and mark the centers of the bracket holes. Remove the bracket to drill the 2 holes for installation with a 9/32" drill bit, and insert the duct cover anchors. Place the bracket back on the wall and install the 2 mounting screws into the anchors. Tighten screws.
2. Place the other duct cover bracket on the wall so that its top edge is 15-1/2" from the ceiling and level. Align the center notches of the bracket and the centerline (C) and mark the centers of the bracket holes. Remove the bracket to drill the 2 holes for installation with a 9/32" drill bit, and insert the duct cover anchors. Place the bracket back on the wall and install the 2 mounting screws into the anchors. Tighten screws.
3. Determine and mark where the hole will be drilled for the power supply cable to be run through the wall. The center of the hole can be located 4" to the left or right of the centerline (C) while remaining between 4" and 13" down from the ceiling. Once the center of the hole is marked, drill a 1 1/4" diameter hole.



Installation Instructions

PREPARE HOOD FOR INSTALLATION

Remove the grease filter from the unit and set aside. The grease filter is removed by pressing the handle in front of the filter. When replacing, make sure that the filter is properly positioned with the handles in front and visible.



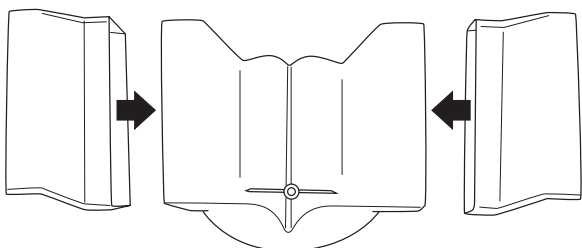
Vented Installations

1. Securely press the damper on top of the exhaust opening. Check that the damper opens freely.
2. Remove and properly discard the protective plastic wrapping from the hood and grease filter.
3. Go to **Mount the Glass Range Hood** section.

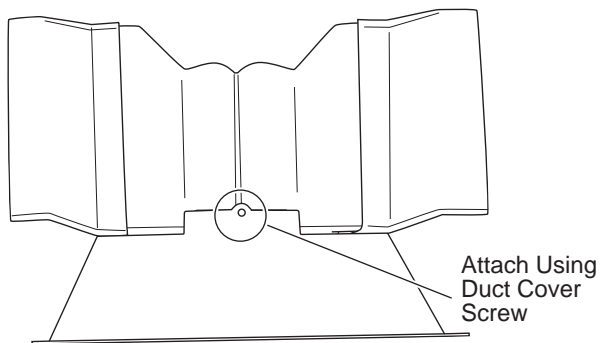
Non-vented (ductless) Installations

NOTE: A recirculation duct, extensions, and bracket are all included with the hood and are necessary for recirculation installation. A charcoal filter, not included, is also needed for recirculation installation. **The damper is not installed on the unit with recirculation installation.**

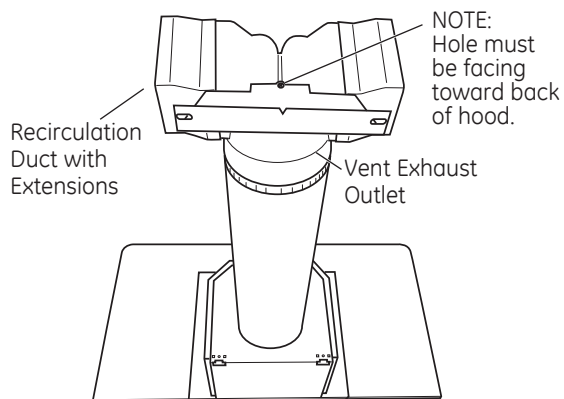
1. Install the recirculation duct extensions to the recirculation duct.



2. Attach the recirculation duct mounting bracket to the recirculation duct using the duct cover screw supplied with the hardware package.



3. Fit the recirculation duct with extensions over the vent exhaust outlet and push down to seat on outlet. Attach the vertical duct work to the top of the hood. Check that the recirculation duct is in the proper orientation (hole facing towards the back of the hood).

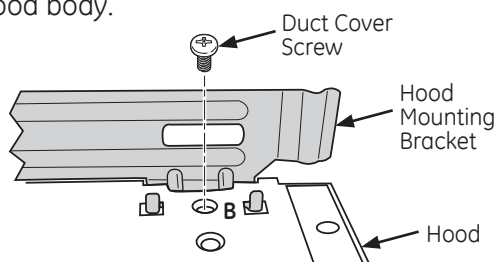


4. Go to **Mount the Glass Range Hood** section.

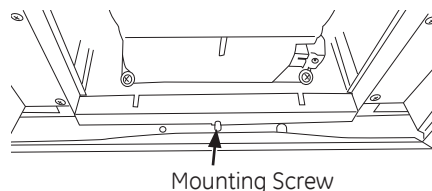
MOUNT THE GLASS RANGE HOOD

NOTE: If ductless (recirculation) installation, follow steps 1-6. If ducted installation, follow steps 1-3.

1. Using 2 or more people, lift the range hood and place on the hood mounting bracket. Make sure the bracket fully engages the holes on the hood body.



2. Place a mounting screw into the duct cover anchor at the center slot provided on the bottom of the back side of the hood. Securely tighten.

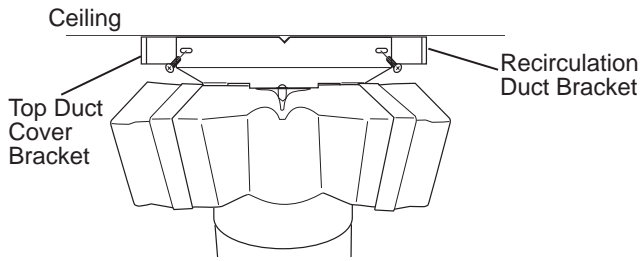


3. Secure the hood to the mounting bracket by fastening a duct cover screw in hole (B) on both sides of bracket shown previously

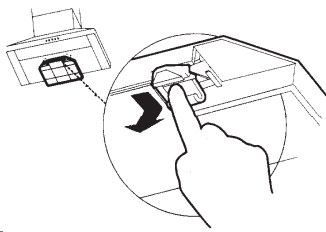
Installation Instructions

MOUNT THE GLASS RANGE HOOD (Continued)

- Remove the top duct cover bracket from the wall.
- Align the top edge of the duct cover bracket with the top edge of the recirculation duct mounting bracket that is attached to the recirculation duct. Align the center notches of each bracket. Place both brackets back onto the wall in the previous position. Install the 2 mounting screws into the anchors and securely tighten.

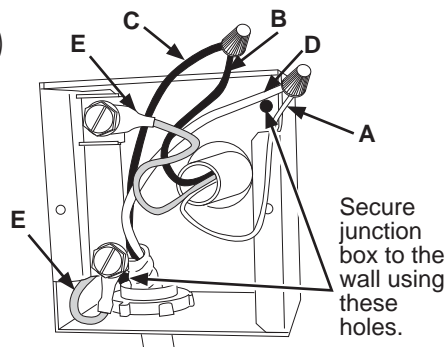


- Attach the CHARCOAL FILTER (not included).



ELECTRICAL CONNECTION

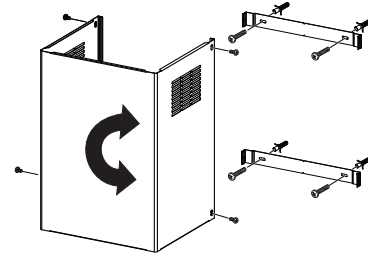
- Remove the cover from the field wiring compartment. Feed the Power Supply Cable through the hole in the compartment.
- Connect the Power Supply Cable to the range hood junction box through the hole that was drilled in the "Preparing the Wall" section on page 6. Attach the White lead of the power supply (A) to the White lead of the range hood (D) with a wire nut. Attach the Black lead of the power supply (B) to the Black lead of the range hood (C) with a wire nut. Connect the Green (E) (Green and Yellow) ground wire under the Green grounding screw.



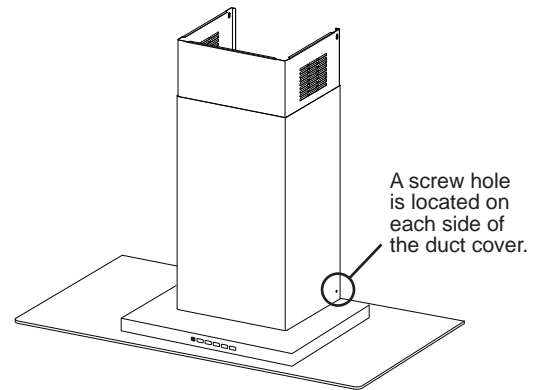
- Secure the junction box to the wall using 2 dry wall self-tapping screws into the two diagonal holes in the junction box. Reattach the field wiring compartment cover.

FINISH THE INSTALLATION

- Ducted installation only:** Connect the house ducting to the damper on the hood body. Seal all connections with duct tape.
- For ducted and recirculation installation:** Install the upper duct cover. Slightly spread the sides of the cover apart and hook them behind the duct cover mounting brackets. Attach the cover to the brackets with 4 duct cover screws. **NOTE:** Depending on the ceiling height and hood install height, the upper duct cover can be installed with the exhaust vents on the top towards the ceiling, or flip the duct cover and hide the exhaust vents under the lower duct cover.



- Install the lower duct cover. Slightly spread the sides of the cover apart and hook them behind the upper duct cover and the wall. Slide the lower duct cover down to fit securely into the top of the range hood.
- Finish attaching the lower duct cover to the chimney of the vent hood with 2 duct cover screws into holes on both sides of the cover.



- Reinstall the metal grease filter to the vent hood.
- Turn the power supply on. Turn on blower and light. If the rangehood does not operate, check that the circuit breaker is not tripped or the house fuse blown. If the unit still does not operate, disconnect the power supply and check that the wiring connections have been made properly.

Instrucciones de instalación

Pared de Vidrio
Campanas de Ventilación de la Chimenea
PVW7301, PVW7361

? ¿Preguntas? Llame al 800.GE.CARES (800.432.2737) o visite nuestro sitio Web en: GEAppliances.com

ANTES DE COMENZAR

Lea estas instrucciones por completo y con detenimiento.

- **IMPORTANTE** – Guarde estas instrucciones para el uso de inspectores locales.
- **IMPORTANTE** – Cumpla con todos los códigos y ordenanzas vigentes.
- **Nota al instalador** – Asegúrese de dejar estas instrucciones con el Consumidor.
- **Nota al consumidor** – Conserve estas instrucciones para referencia futura.
- **Nivel de capacidad** – La instalación de esta campana de ventilación requiere capacidades mecánicas y eléctricas básicas.
- **Tiempo de finalización** – Aproximadamente de 1 a 3 horas.
- El instalador tiene la responsabilidad de efectuar una instalación adecuada.
- La Garantía no cubre las fallas del producto debido a una instalación incorrecta.

⚠ PRECAUCIÓN: Debido al peso y tamaño de estas campanas de ventilación y para reducir el riesgo de lesiones personales o daños al producto, **SE NECESITAN DOS PERSONAS PARA REALIZAR UNA INSTALACIÓN CORRECTA.**

PARA SU SEGURIDAD:

⚠ ADVERTENCIA: Antes de comenzar la instalación, desconecte la energía del panel de servicio y bloquee los medios de desconexión para evitar el accionamiento de la energía de manera accidental. Cuando los medios de desconexión de servicio no pueden bloquearse, coloque sobre el panel de servicio un dispositivo de advertencia bien visible, como una etiqueta.

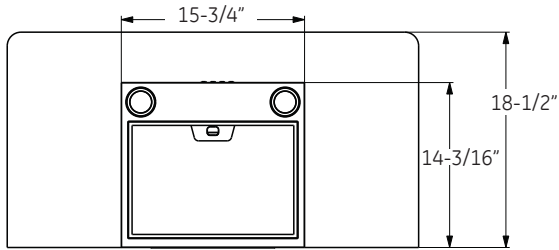
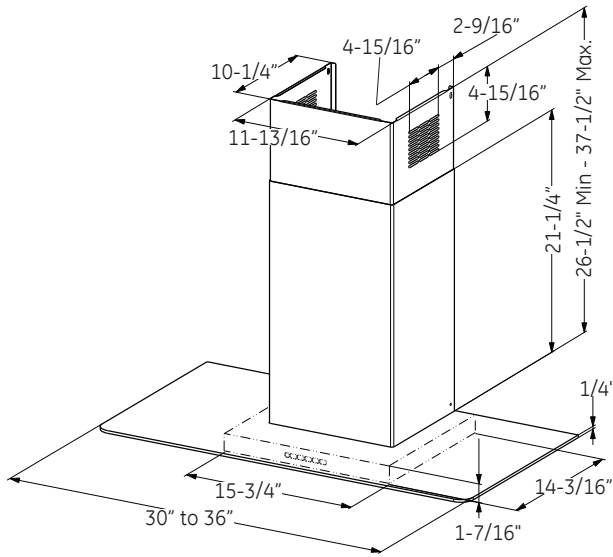
⚠ ADVERTENCIA: PARA REDUCIR EL RIESGO DE INCENDIO, DESCARGA ELÉCTRICA O LESIONES A PERSONAS, CUMPLA CON LOS SIGUIENTES PUNTOS:

- A. El trabajo de instalación y el cableado eléctrico deben ser realizados por una persona(s) calificada de acuerdo con todos los códigos y estándares aplicables, incluyendo construcciones resistentes al fuego.
- B. Es necesario contar con suficiente cantidad de aire para una combustión y salida de gases adecuadas a través del conducto (chimenea) del equipo de consumo de combustible, a fin de evitar ráfagas de aire. Siga las pautas del fabricante del equipo de calefacción y los estándares de seguridad, tales como aquellos publicados por la Asociación Nacional de Protección contra Incendios (National Fire Protection Association, NFPA), la Sociedad Estadounidense para la Calefacción (American Society for Heating), los Ingenieros de Refrigeración y Acondicionadores de Aire (Refrigeration and Air Conditioning Engineers, ASHRAE) y las autoridades de los códigos locales.
- C. Al cortar o perforar una pared o un cielorraso, no dañe el cableado eléctrico y de otros servicios ocultos.
- D. Los ventiladores con conducto siempre deben contar con ventilación hacia el exterior.
- E. Desconecte el disyuntor de habitaciones adyacentes mientras esté trabajando.

⚠ ADVERTENCIA: A FIN DE REDUCIR EL RIESGO DE INCENDIOS, USE SÓLO CONDUCTOS DE METAL.

Preparación para la instalación

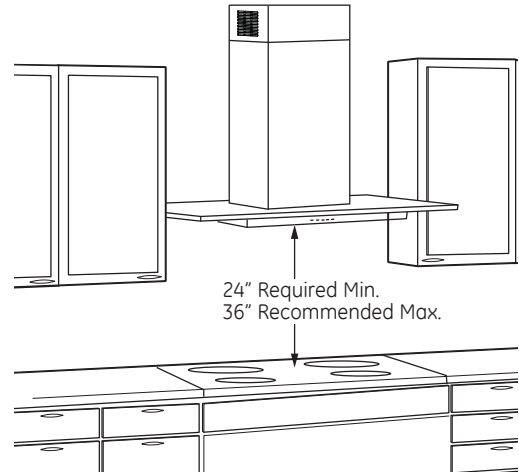
DIMENSIONES DEL PRODUCTO



ESPACIO DE INSTALACIÓN

Estas campanas de ventilación están diseñadas para ser instaladas en una pared sin gabinetes superiores.

- Instale estas campanas entre el mínimo requerido de 24" y el máximo recomendado de 36" sobre la superficie de cocción.



La campana de ventilación debe ser instalada entre el mínimo requerido de 24" y el máximo recomendado de 36" sobre la superficie de cocción. La altura de instalación de la campana sobre la superficie de cocción depende de la altura del cielorraso y las limitaciones de la cubierta del conducto. La cubierta plegable oculta los conductos que van desde la parte superior de la campana hasta el cielorraso. Para las alturas de cielorraso de las cubiertas de conductos, consulte la tabla de la página 5.

NOTA: La altura de instalación debe medirse desde la superficie de cocción hasta la parte más baja de la campana. Puede contar con ventilación hacia el exterior, o puede ser instalada para un funcionamiento con recirculación. Para un funcionamiento con recirculación, consulte la **Planificación para la Instalación con Recirculación**.

Preparación para la instalación

PLANIFICACIÓN PREVIA

Planificación para la Instalación con Conducto

- Esta campana está diseñada para ventilarse en forma vertical a través del cielorraso. Use un conducto circular de 6". Utilice codos suministrados en forma local para ventilación horizontal a través de la pared trasera.
- Determine la ubicación exacta de la campana de ventilación.
- Planifique el recorrido de la salida de ventilación hacia el exterior. A fin de maximizar el rendimiento de la ventilación del sistema de ventilación:
 1. Minimice la longitud del conducto y el número de transiciones y codos.
 2. Mantenga un tamaño de conducto constante.
 3. Selle todas las juntas con cinta para conductos a fin de evitar pérdidas.
 4. No utilice conductos flexibles de ningún tipo.
- Instale una cubierta de pared o casquete de techo con un regulador de tiro en la abertura exterior. Solicite por adelantado la cubierta de pared o el casquete de techo y cualquier transición o longitud de conducto necesarios.
- Cuando corresponda, instale un sistema de reposición (reemplazo) de aire de acuerdo con los requisitos del código local de construcción. Para acceder a soluciones de aire disponibles, visite GEAppliances.com.

Planificación de Instalación con Recirculación

Un conducto de recirculación (incluido) y un filtro de carbón (no incluido) son necesarios para la instalación con recirculación.

Planificación del Suministro de Corriente

La ubicación de la conexión del suministro de corriente es indicada en la sección de Preparación de la Pared en la página 6.

SUMINISTRO DE ENERGÍA

IMPORTANTE – (Tenga a bien leer cuidadosamente)

⚠ ADVERTENCIA:

PARA SEGURIDAD PERSONAL, ESTE APARATO DEBE CONECTARSE A TIERRA DE MANERA ADECUADA.

Quite el fusible o abra el interruptor de circuitos antes de comenzar la instalación.

No utilice un cable de extensión o un enchufe adaptador con este artefacto. Siga los Códigos Eléctricos Nacionales o códigos y ordenanzas locales vigentes.

Suministro eléctrico

Estas campanas de ventilación deben contar con un suministro de 120V, 60Hz, deben estar conectadas a un circuito derivado individual con una adecuada conexión a tierra y deben contar con la protección de un interruptor de circuitos o un fusible con retraso de 15 o 20 amperios.

- El cableado debe ser de 2 hilos con conexión a tierra.
- Si el suministro eléctrico no cumple con los requisitos anteriores, llame a un electricista con licencia antes de continuar.
- Dirija el cableado doméstico lo más cerca posible a la ubicación de la instalación, en el cielorraso o pared trasera. Ver página 14 para más detalles.
- Conecte el cableado al cableado doméstico en cumplimiento con los códigos locales.

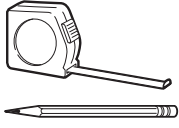
Instrucciones de conexión a tierra

El conductor a tierra debe conectarse a un metal con conexión a tierra, un sistema de cableado permanente o una terminal o conductor de conexión a tierra del equipamiento en la campana.

⚠ ADVERTENCIA: Una conexión inadecuada del conductor de conexión a tierra del equipamiento puede provocar un riesgo de descarga eléctrica. Consulte a un electricista calificado o representante de servicio técnico si tiene dudas sobre la correcta conexión a tierra del artefacto.

Preparación para la instalación

HERRAMIENTAS Y MATERIALES REQUERIDOS (NO SUMINISTRADOS)



Lápiz y cinta métrica



Gafas de seguridad



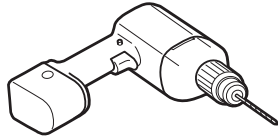
Destornillador de estrella



Nivel



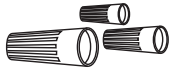
Alicata pelacables



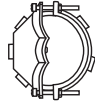
Broca eléctrica con Phillips N° 2 de cabeza plana y broca de 9/32"



Cinta aislante de aluminio



Tapones de alambre aprobados por UL



Alivio de tensión para la caja de conexiones

QUITE EL ENVOLTORIO

⚠ PRECAUCIÓN: Se guantes para protegerse de los bordes afilados.

- Quite las cubiertas de los conductos.
- Quite la bolsa de piezas, el paquete de instrucciones y otras piezas en cajas.
- Quite y descarte adecuadamente el envoltorio plástico de protección y otros materiales de empaque.

PLAN DE INSTALACIÓN

⚠ PRECAUCIÓN: A fin de reducir riesgos de incendios y para que el aire salga de forma apropiada, asegúrese de que el aire sea conducido hacia fuera - No ventile el aire de la salida hacia espacios dentro de paredes o cielorrasos o áticos, espacios muy bajos o garajes.

PIEZAS PROVISTAS PARA LA INSTALACIÓN

- 1 Paquete de Herramientas
- 1 Paquete Escrito

PIEZAS NECESARIAS PARA LA INSTALACIÓN

- 1 Amortiguador de Refuerzo
- Cable de Suministro de Corriente
- Una Tapa de Pared o Techo (para ventilación con conducto únicamente)
- Toda la Tubería Metálica (para ventilación con conducto únicamente)
- Conducto de Recirculación (para instalación con recirculación únicamente)

⚠ ADVERTENCIA: ! RIESGO DE LESIONES PERSONALES

Debido al peso y tamaño de la base de la campana extractora. Es recomendable que la campana extractora sea instalada por 2 personas. Si la campana no es elevada de forma correcta, se podrán producir daños sobre el producto o lesiones personales.

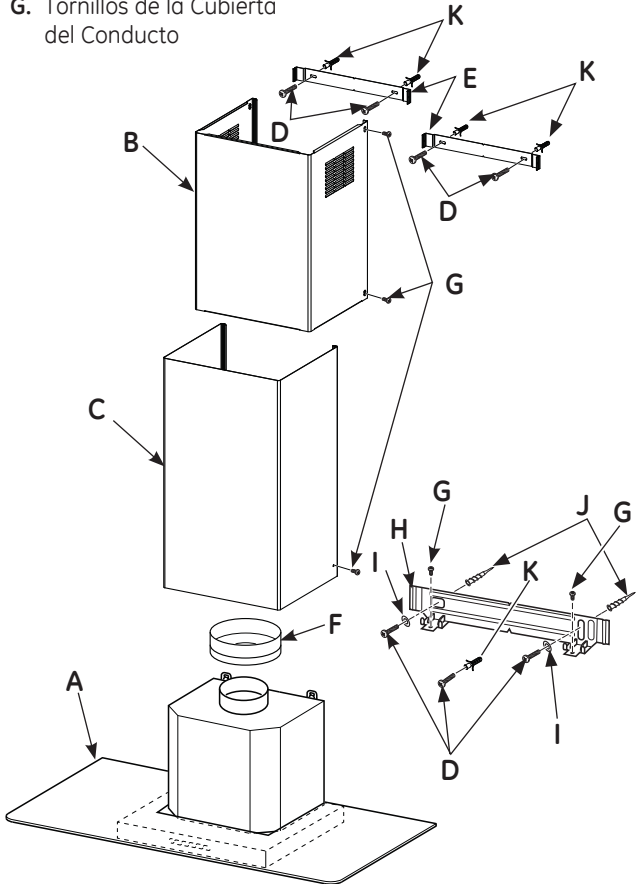
NOTA: Esta campana puede ser instalada con conducto o con recirculación. En una aplicación con conducto, esta campana puede ser ventilada a través de la pared o del cielorraso. Al ser instalada por recirculación, la campana ventila hacia afuera los costados de la cubierta del conducto.

NOTA: Antes de realizar cualquier corte o agujero para la instalación, determine qué método de ventilación será usado y con cuidado calcule todas las medidas.

Preparación para la instalación

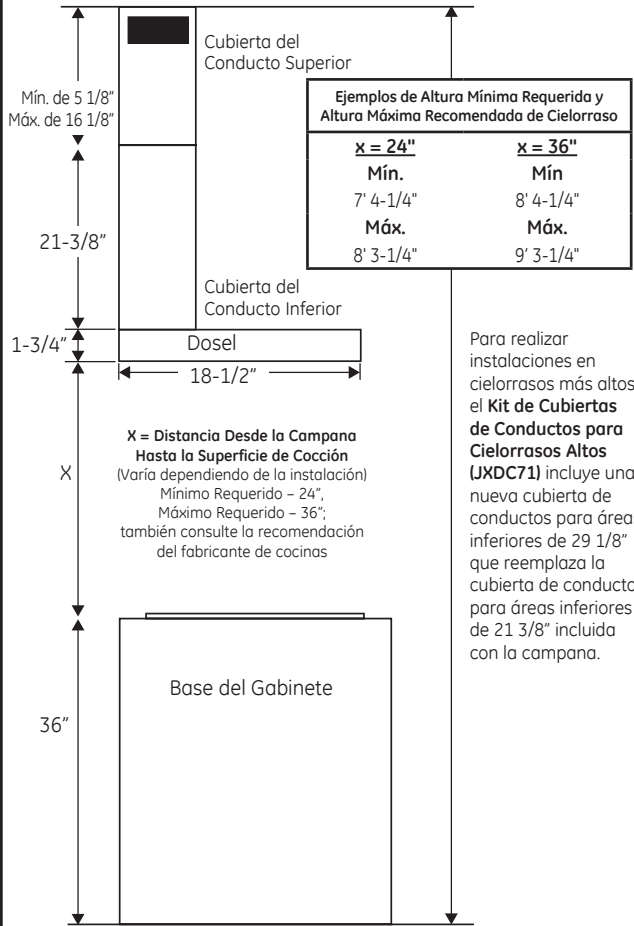
COMPONENTES DE LA CAMPANA EXTRACTORA

- A. Sección de la Base
- B. Cubierta del Conducto Superior
- C. Cubierta del Conducto Inferior
- D. Tornillos de Montaje
- E. Soportes de Montaje de la Cubierta del Conducto
- F. Regulador
- G. Tornillos de la Cubierta del Conducto
- H. Soporte de Montaje
- I. Arandelas
- J. Soportes de Montaje de la Base de la Campana
- K. Soportes de la Cubierta del Conducto
- L. Tornillos Autorroscantes para Pared Seca (Para la Caja de Empalmes)

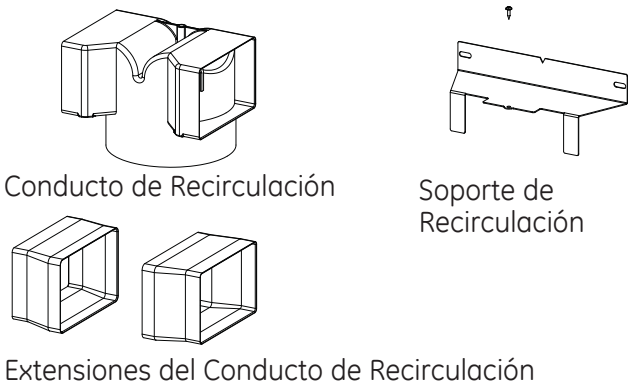


DIMENSIONES DE INSTALACIÓN

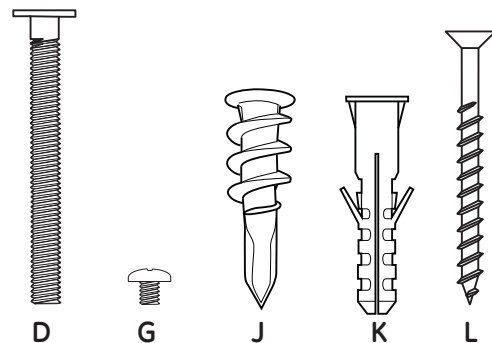
Las Campanas con Chimenea de Vidrio son ajustables y están diseñadas para adaptarse a diferentes alturas de cielorraso. Las cubiertas de los conductos pueden ser ajustadas para cielorrasos de entre 7' 4 1/4" y 9' 3 1/4", dependiendo de la distancia entre la parte inferior de la campana y la superficie de cocción (distancia X).



COMPONENTES DE RECIRCULACIÓN



COMPONENTES DE LAS HERRAMIENTAS

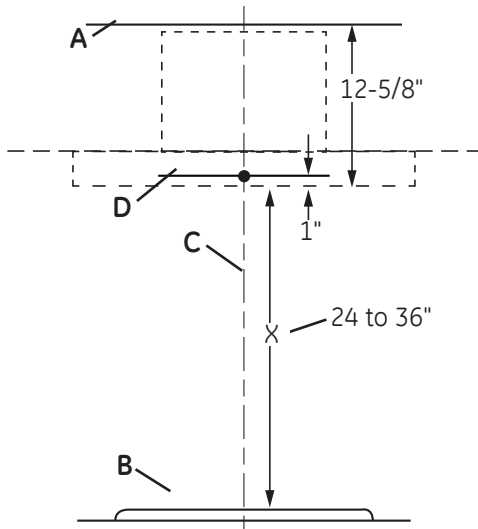


Preparación para la instalación

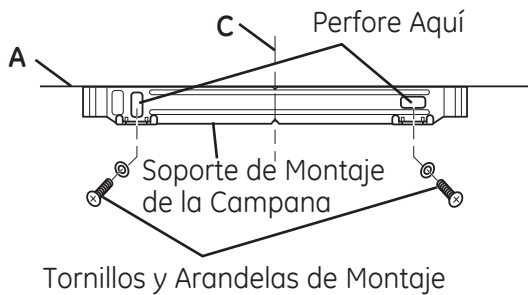
PREPARE LA PARED

Cuerpo de la Campana

1. Coloque una cubierta protectora sobre la superficie debajo de la ubicación de la campana, a fin de proteger de la suciedad y/o daños.
2. Determine y marque la línea central sobre la pared (dibuje la línea hacia arriba hasta el cielorraso) donde la campana extractora será instalada. En base a la altura del cielorraso, determine la distancia mínima requerida de 24" y la distancia máxima recomendada de 36" (X), necesarias entre la superficie de cocción (B) y la parte inferior de la campana. A esta distancia, agregue 12 5/8" y dibuje una línea horizontal (A) de aproximadamente 24" de longitud centrada sobre la línea central vertical (C).



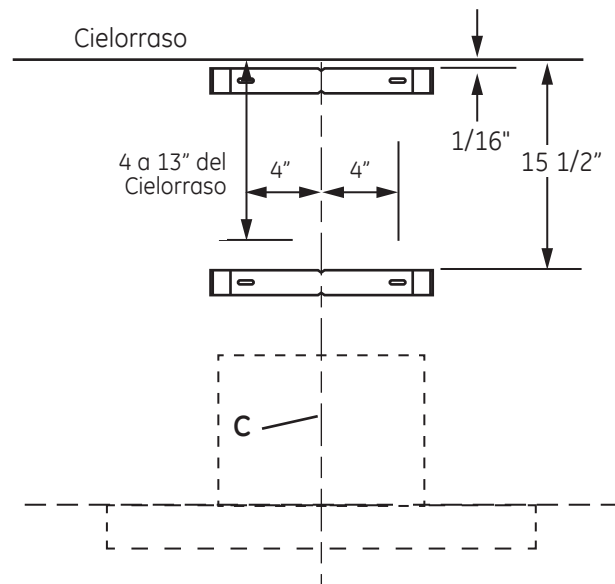
3. Alinee el extremo superior del soporte de montaje con la línea horizontal (A). Alinee las ranuras centrales del soporte con la línea central (C) y marque el centro de los agujeros del soporte. Retire el soporte para perforar los 2 sostenes de montaje de la base en la pared, donde se encuentran las marcas. Vuelva a colocar el soporte de montaje en la pared e instale los 2 tornillos de montaje con 2 arandelas en los sostenes. Ajuste los tornillos.



4. Dibuje una segunda línea horizontal (D) con 1" agregada desde la distancia X. Dibuje un agujero en la pared con una broca de 9/32" en la intersección de la línea horizontal (D) y la línea central vertical (C). Inserte un sostén en la cubierta del conducto.

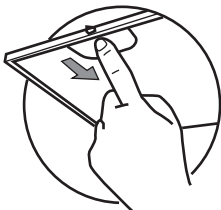
Cubiertas de Conductos y Suministro de Corriente

1. Coloque uno de los soportes de la cubierta del conducto contra la pared, de modo que su extremo superior esté a 1/16" del cielorraso y que quede nivelado. Alinee las ranuras centrales del soporte con la línea central (C) y marque los centros de los agujeros del soporte. Retire el soporte para perforar 2 agujeros para la instalación con una broca de 9/32", e inserte los sostenes de la cubierta del conducto. Vuelva a colocar el soporte en la pared e instale los 2 tornillos de montaje en los sostenes. Ajuste los tornillos.
2. Coloque el otro soporte de la cubierta del conducto contra la pared, de modo que su extremo superior esté a 15 1/2" del cielorraso y que quede nivelado. Alinee las ranuras centrales del soporte con la línea central (C) y marque los centros de los agujeros del soporte. Retire el soporte para perforar 2 agujeros para la instalación con una broca de 9/32", e inserte los sostenes de la cubierta del conducto. Vuelva a colocar el soporte en la pared e instale los 2 tornillos de montaje en los sostenes. Ajuste los tornillos.
3. Determine y marque el lugar donde el agujero será perforado para que el cable de suministro de corriente pueda pasar a través de la pared. El centro del agujero puede ser ubicado a 4" hacia la izquierda o derecha de la línea central (C), mientras permanece a entre 4" y 13" del cielorraso. Una vez marcado el centro del agujero, haga un agujero de 1 1/4" de diámetro.



PREPARE LA CAMPANA PARA SU INSTALACIÓN

Retire el filtro de grasa de la unidad y deje el mismo a un lado. El filtro de grasa es retirado presionando la manija que se encuentra frente al filtro. Al realizar el reemplazo, asegúrese de que el filtro esté correctamente posicionado con las manijas en el frente y visibles.



Instalaciones Ventiladas

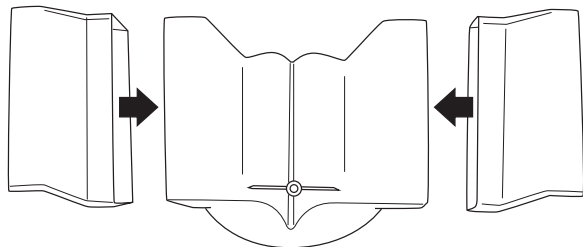
1. De forma segura, presione el regulador que se encuentra sobre la abertura del escape. Controle que el regulador se pueda abrir libremente.
2. Retire y descarte de forma adecuada el envoltorio protector de plástico de la campana y de los filtros de grasa.
3. Consulte la sección de **Montaje de la Campana Extractora de Vidrio**.

Instalaciones sin ventilación (sin conducto)

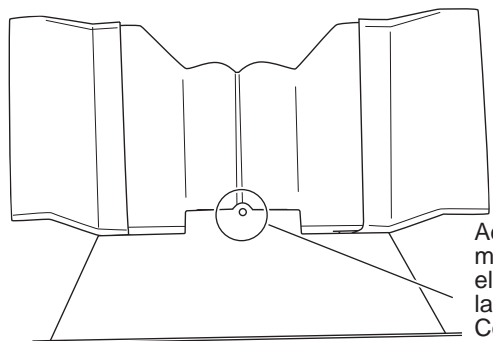
NOTA: Incluidos con la campana se encuentran un conducto de recirculación, extensiones y un soporte, y todos son necesarios para la instalación con recirculación. Un filtro de carbón, no incluido, también es necesario para la instalación con recirculación.

El regulador no está instalado en la unidad con instalación con recirculación.

1. Instale las extensiones del conducto con recirculación al conducto con recirculación.

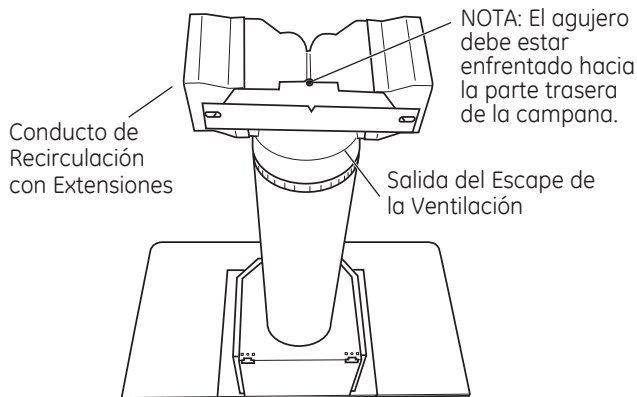


2. Adhiera el soporte de montaje de conductos con recirculación al conducto mismo, utilizando el tornillo para cubiertas de conductos suministrado con el paquete de herramientas.



Adhiera el mismo Usando el Tornillo de la Cubierta del Conducto

3. Inserte el conducto de recirculación con extensiones sobre la salida del escape de ventilación y empuje hacia abajo para que coincida con la salida. Adhiera el conducto vertical a la parte superior de la campana. Controle que el conducto de recirculación se encuentre en la orientación correcta (con el agujero hacia la parte trasera de la campana).

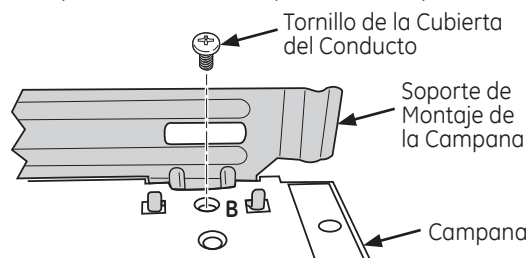


4. Consulte la sección de **Montaje de la Campana Extractora de Vidrio**.

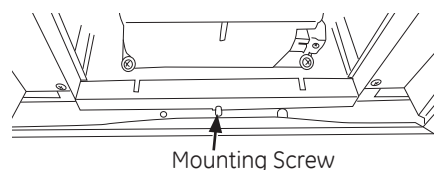
MONTE LA CAMPANA EXTRACTORA DE VIDRIO

NOTA: Si se trata de una instalación sin conducto (recirculación), siga los pasos 1 a 6. Si se trata de una instalación con conducto, siga los pasos 1 a 3.

1. Entre 2 o más personas, levanten la campana extractora y coloquen el soporte de montaje de la campana. Asegúrese de que el soporte se adhiera completamente al cuerpo de la campana.



2. Coloque un tornillo de montaje en el sostén de la cubierta del conducto, sobre la ranura central provista en la parte inferior del lado trasero de la campana. Ajuste de forma segura.

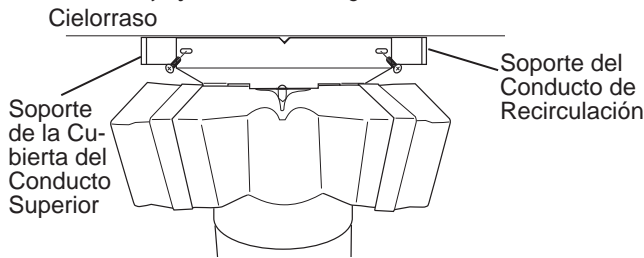


3. Asegure la campana al soporte de montaje, ajustando el tornillo de la cubierta del conducto en el agujero (B) a ambos lados del soporte mostrado previamente.

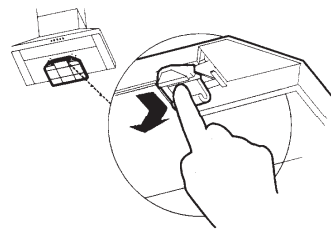
Instrucciones de instalación

MONTE LA CAMPANA EXTRACTORA DE VIDRIO (continúa)

4. Retire de la pared el soporte superior de la cubierta del conducto.
5. Alinee el extremo superior del soporte de la cubierta del conducto con el extremo superior del soporte de montaje del conducto de recirculación, el cual está adherido al conducto de recirculación. Alinee las ranuras centrales de cada soporte. Vuelva a colocar ambos soportes en la pared, en la posición previa. Instale los 2 tornillos de montaje en los sostenes y ajuste de forma segura.

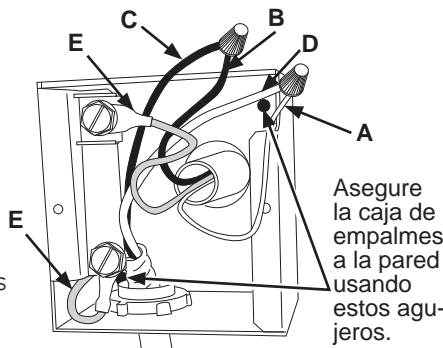


6. Adhiera el FILTRO DE CARBÓN (no incluido)



CONEXIÓN ELÉCTRICA

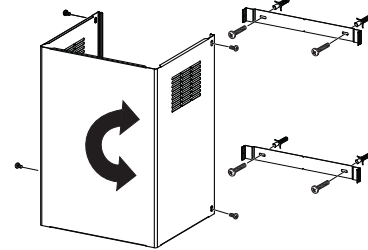
1. Retire la cubierta del compartimiento del cableado de campo. Alimente el Cable de Suministro de Corriente a través del agujero del compartimiento.
2. Conecte el Cable de Suministro de Corriente a la caja de empalmes de la campana extractora, a través del agujero que fue realizado en la sección de "Preparación de la Pared" en la página 6. Adhiera el cable blanco del suministro de corriente (A) al cable blanco de la campana extractora (D) con una tuerca para cable. Adhiera el cable negro del suministro de corriente (B) al cable negro de la campana extractora (C) con una tuerca para cable. Conecte el cable a tierra verde (E) (verde y amarillo) debajo del tornillo de conexión a tierra verde.
3. Asegure la caja de empalmes a la pared usando 2 tornillos autorroscantes para pared seca en los dos agujeros diagonales de la caja de empalmes. Vuelva a adherir la cubierta del compartimiento de cableado de campo.



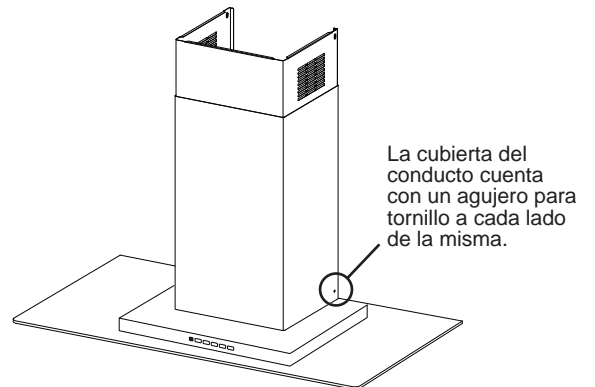
Asegure la caja de empalmes a la pared usando estos agujeros.

FINALICE LA INSTALACIÓN

1. **Instalación con conducto únicamente:** Conecte el conducto hogareño al regulador del cuerpo de la campana. Selle todas las conexiones con cinta para conducto.
2. **Para instalaciones de recirculación y con conducto:** Instale la cubierta del conducto superior. Lentamente separe los costados de la cubierta y enganche ambos detrás de los soportes de montaje de la cubierta del conducto. Adhiera la tapa a los soportes con 4 tornillos de la cubierta del conducto. **NOTA:** Dependiendo de la altura del cielorraso y de la altura de instalación de la campana, la cubierta del conducto superior puede ser instalada con las ventilaciones de escape en la parte superior hacia el cielorraso, o dar la vuelta a la cubierta del conducto y esconder las ventilaciones de escape debajo de la cubierta del conducto inferior.



3. Instale la cubierta del conducto inferior. Lentamente separe los costados de la cubierta y enganche ambos detrás de la cubierta del conducto superior y de la pared. Deslice la cubierta del conducto superior hacia abajo para hacer que la misma coincida de forma segura con la parte superior de la campana extractora.
4. Finalice adhiriendo la cubierta del conducto inferior a la chimenea de la campana de ventilación colocando 2 tornillos en la cubierta del conducto sobre los agujeros que se encuentran a ambos lados de la tapa.



5. Vuelva a instalar el filtro de grasa metálico a la campana de ventilación.
6. Encienda el suministro de corriente. Encienda el calefactor y la luz. Si la campana extractora no funciona, controle que el disyuntor no se haya activado o que el fusible hogareño no esté quemado. Si la unidad aún no funciona, desconecte el suministro de corriente y controle que las conexiones del cableado hayan sido realizadas de forma correcta.