

Installation Instructions

ACCESSORY PANEL KITS

ZPSS360 – Stainless Steel

ZPBS360 – Black Acrylic

BEFORE YOU BEGIN

Read these instructions completely and carefully.

- **Note to Installer** – Be sure to leave these instructions with the Consumer.
- **Note to Consumer** – Keep these instructions with your Owner's Manual for future reference.

Kit Contents

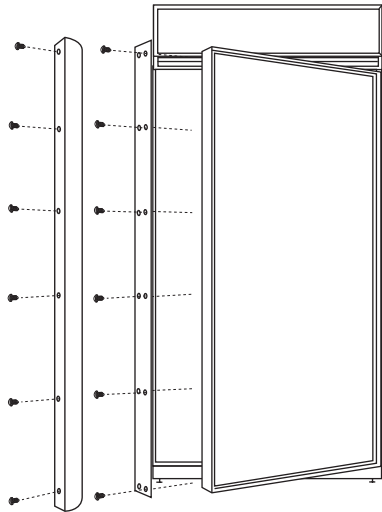
- 2 Filler panels (with ZPSS360 only)
- Door panel
- Grille panel

Tools Required

- Phillips screwdriver
- Safety glasses
- Gloves to protect against sharp edges
- Wood block
- Hammer

STEP 1 REMOVE HANDLES AND TRIM

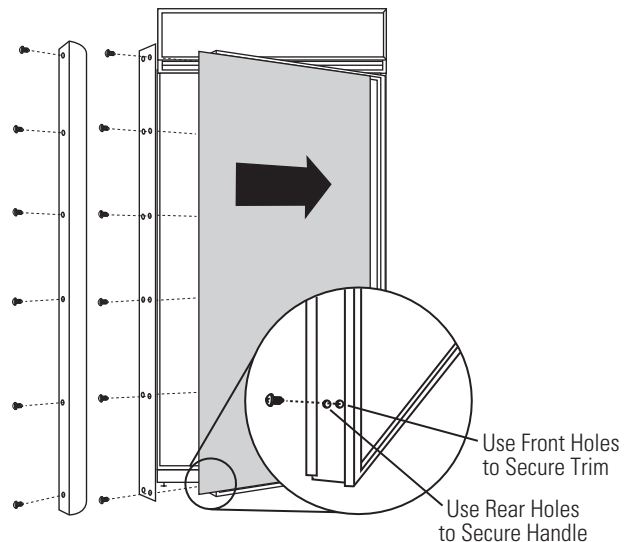
- Open the door to 90°. Remove the 6 Phillips head screws from the door handle.



- Remove handle. Retain all screws.
- Remove 6 screws holding trim. Lift off trim. Retain screws.

STEP 2 INSTALL PANELS

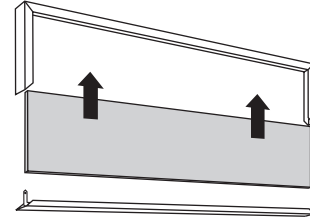
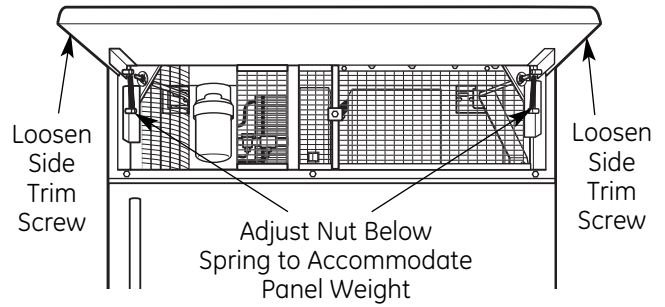
- Remove protective film from appearance panel.
- Slide panel into the door trim.
- If installing stainless steel panels, first slide filler panel into the door trim, then slide stainless panel into the trim.
- If necessary, tap with a wood block until panel slips under the hinge side trim.



- There are two sets of holes in the handle side trim. Replace side trim by installing the original screws in the FRONT screw holes.
- Secure the handle to the door using the REAR screw holes.

STEP 3 INSTALL GRILLE PANEL

- Remove the protective film from the appearance panel.
- Raise the grille panel to the stop position.
- Loosen the screws on the side trim behind the frame. Remove the bottom trim.
- Slide the panel over the metal backer panel and into the trim.
- If installing Stainless steel panels, first slide the filler panel into the trim, then slide the stainless panel into the trim.
- If necessary, tap with a wood block until the panel slips under the top trim piece.
- Reassemble bottom trim. Tighten the screws.
- Adjust the hinge spring to accommodate the panel weight, if necessary.



31-46149
224D1889P009

06-08 JR

Note: Product improvement is a continuing endeavor at General Electric. Therefore, materials, appearance and specifications are subject to change without notice.



GE Consumer & Industrial
Appliances
General Electric Company
Louisville, KY 40225
ge.com