

# Installation Instructions

36" Built-In Bottom-Freezer  
Refrigerators

Design Guide  
With Installation Instructions

**MONOGRAM**

# Safety Information

## BEFORE YOU BEGIN

Read these instructions completely and carefully.

- **IMPORTANT** – Save these instructions for local inspector's use. Observe all governing codes and ordinances.
- **Note to Installer** – Be sure to leave these instructions with the Consumer.
- **Note to Consumer** – Keep these instructions with your Owner's Manual for future reference.

If you received a damaged refrigerator, you should immediately contact your dealer or builder.

**Skill Level** – Installation of this refrigerator requires basic mechanical, carpentry and plumbing skills. Proper installation is the responsibility of the installer. Product failure due to improper installation is not covered under the GE Appliance Warranty. See the Owner's Manual for warranty information.

### **⚠ WARNING** **Electrical Shock Hazard.**

Plug into a grounded 3-prong outlet.  
Do not remove the ground prong.  
Do not use an adapter.  
Immediately replace electric cords that become frayed or damaged.

Do not use an extension cord with this appliance. Failure to follow these instructions can result in death, fire, or electrical shock. Follow the instructions in the section *Grounding the Refrigerator*.

### **⚠ WARNING** **Tip Over Hazard.**

These refrigerators are top heavy, especially with any doors open, and must be secured to prevent tipping forward which could result in death or serious injury. Read and follow the entire installation instructions for securing the refrigerator with the anti-tip system.

### **⚠ WARNING** **Explosion Hazard.**

Keep flammable materials and vapors, such as gasoline, away from refrigerator. Failure to do so can result in fire, explosion, or death.

**⚠ WARNING** To reduce the risk associated with choking, do not allow children under 3 years of age to have access to small parts during the installation of this product.

### **⚠ CAUTION** **Lifting Hazard**

This refrigerator is very heavy. To reduce the risk of person injury during maneuvering and installing this refrigerator, 3 people are required for proper installation.

**⚠ CAUTION** Keep fingers out of the "pinch point" areas; clearances between the doors and between the doors and cabinet are necessarily small. Be careful closing doors when children are in the area.

For Monogram local service in your area, call  
1.800.432.2737.  
For Monogram service in Canada, call 1.800.561.3344

For Monogram Parts and Accessories, call  
1.877.959.8688.  
[www.monogram.com](http://www.monogram.com)

# Consignes de Sécurité

## **⚠ AVERTISSEMENT**



### **Risque de choc électrique.**

Branchez l'appareil dans une prise triple avec terre.

Ne retirez pas la broche de terre.

N'utilisez pas d'adaptateur.

Le non-respect de ces instructions peut entraîner des risques d'incendies, des chocs électriques ou la mort.

Remplacer immédiatement tout cordon électrique effiloché ou endommagé.

N'utilisez pas de rallonge avec cet appareil.

Le non-respect de ces instructions peut entraîner des risques d'incendies, des chocs électriques ou la mort.

Suivez les instructions de la section *Mise à la terre du réfrigérateur*.

## **⚠ AVERTISSEMENT**



### **Risque de basculement**

Ces réfrigérateurs présentent une partie supérieure lourde, en particulier avec une porte ouverte; ils doivent donc être fixés pour prévenir le basculement vers l'avant et le risque concomitant de blessure grave ou fatale. Lisez et suivez les instructions d'installation complètes pour l'installation du système anti-basculement.

## **⚠ AVERTISSEMENT**



### **Risque d'explosion.**

Conservez les matériaux et vapeurs inflammables tels que l'essence à l'écart de votre réfrigérateur. Le non-respect de cette instruction peut entraîner un risque d'incendie, d'explosion ou de décès.

## **⚠ AVERTISSEMENT**

Pour réduire le risque d'étouffement pendant l'installation de ce produit, ne pas laisser les petites pièces à la portée des enfants âgés de moins de 3 ans.

## **⚠ ATTENTION**

### **Risque associé à la manutention d'une charge lourde**

Ce réfrigérateur est très lourd. Pour réduire le risque de blessure lors de la manutention de ce réfrigérateur, trois (3) personnes sont nécessaires pour procéder à l'installation appropriée du modèle 36 pouces, quatre (4) pour l'installation des modèles 42 ou 48 pouces.

## **⚠ ATTENTION**

Éloignez les doigts des parties du congélateur où l'on peut facilement se pincer : les espaces entre les portes, et entre les portes et les placards sont toujours étroits. Soyez prudent lorsque vous fermez les portes en présence d'enfants.

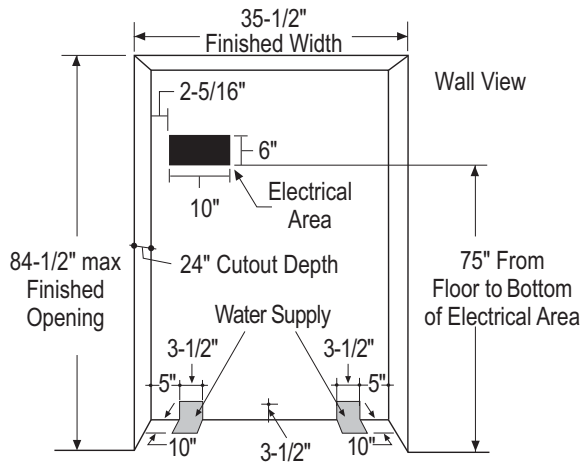
# Contents

<b>Safety</b>	2, 3	<b>Installation Instructions</b>	
<b>Instructions for Standard Installation</b>	5-19	Tools, Hardware, Materials	28
<b>Planning Guide</b>		Grounding the Unit	28
The Installation Space	6	Step 1. Remove Packaging	29
Dimensions and Clearances	6	Step 2. Install Water Line	29
Customization Basics	7	Step 2A. Water Line with Reverse Osmosis System	30
Refrigerator Location	7	Step 3. Install Side Panels	30
Optional Accessory Kits	7	Step 4. Install Case Trim	30
1/4" Framed Panel Dimensions	8	Step 5. Anti-Tip Procedure	30-32
3/4" Overlay Panel Dimensions	8	Step 6. Alternate Anti-Tip Procedure	32
Side Panels	9	Step 7. Adjust Door Swing	33
ZUG2 Grille Panel Dimensions	9	Step 8. Install Grille Panel	33
130° Door Swing	10	Step 9. Install Door Panels	34
<b>Installation Instructions</b>		Step 10. Connect Water Supply	35
Tools, Hardware, Materials	11	Step 11. Connect Power	35
Grounding the Unit	11	Step 12. Start Icemaker	35
Step 1. Remove Packaging	12	Step 13. Install Toekick	35
Step 2. Install Water Line	12	<b>Instructions for Stainless Steel Installation</b>	36-46
Step 2A. Water Line with Reverse Osmosis System	13	<b>Planning Guide</b>	
Step 3. Install Side Panels	13	The Installation Space	37
Step 4. Anti-Tip Procedures	13-15	Dimensions and Clearances	37
Step 5. Level Unit	15	Customization Basics	38
Step 6. Secure Unit to Wall	15	Side Panels	38
Step 7. Alternate Anti-Tip Procedure	16	Optional Accessory Kits	38
Step 8. Adjust Door Swing	16	Refrigerator Location	38
Step 9. Install Grille Panel	17	130° Door Swing	39
Step 10. Install 1/4" Framed Panels	17	<b>Installation Instructions</b>	
Step 10A. Install Overlay Panels	18	Tools, Hardware, Materials	40
Step 11. Connect Water Supply	19	Grounding the Refrigerator	40
Step 12. Connect Power	19	Step 1. Remove Packaging	41
Step 13. Start Icemaker	19	Step 2. Install Water Line	41
Step 14. Install Toekick	19	Step 2A. Water Line with Reverse Osmosis System	42
<b>Instructions for Flush Installation</b>	21-36	Step 3. Install Side Panels	42
<b>Planning Guide</b>		Step 4. Anti-Tip Procedure	42-44
The Installation Space	21	Step 5. Level Refrigerator	45
Dimensions and Clearances	21	Step 6. Secure Unit to Wall	45
Custom Handle Design Guide	21	Step 7. Alternate Anti-Tip Procedure	45
1/2" Overlay Panel Dimensions	22	Step 8. Adjust Door Swing	45
3/4" Decorative Panel Dimensions	23	Step 9. Connect Water Supply	46
Customization Basics	23	Step 10. Connect Power	46
Refrigerator Location	23	Step 11. Start Icemaker	46
3/4" Raised Fresh Food Door Panel Routing	24	Step 12. Install Toekick	46
3/4" Raised Freezer Door Panel Routing	25		
3/4" Raised Grille Panel Routing	26		
Optional Accessory Kits	26		
Installation	27		
ZUGF2 Grille Panel Dimensions	27		
Side Panels	27		
Side Cleats	27		

# **Instructions for Standard Installation**

# Design Guide - Standard Installation

## THE INSTALLATION SPACE



### Water And Electrical Locations

Electrical and water supply must be located as shown.

### The Cutout Depth Must Be 24"

The refrigerator will project forward, slightly beyond adjacent cabinetry, depending on your installation. Allow minimum 1/8" air gap between case back & wall.

### Cutout depth beneath a soffit:

When installed beneath a soffit, the soffit cannot exceed the 24" installation depth shown. The top case trim overlaps the bottom of the soffit.

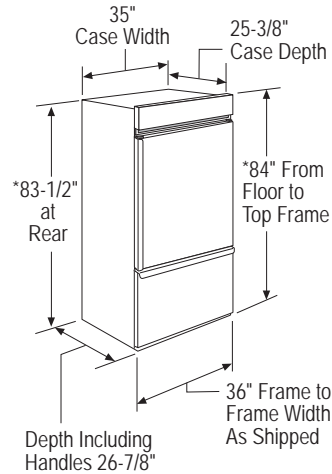
### Additional Specifications

- A 115 volt 60Hz., 15 or 20 amp power supply is required. An individual properly grounded branch circuit or circuit breaker is recommended. Install a properly grounded 3-prong electrical receptacle recessed into the back wall. Electrical must be located on rear wall as shown.

**NOTE:** GFI (ground fault interrupter) is not recommended.

- Water line can enter the opening through the floor or back wall. Route SmartConnect™ kit or 1/4" O.D. copper tubing between the cold water line and the water connection location. The tubing should be long enough to extend to the front of the refrigerator. Installation of an easily accessible shut-off valve in the water line is required.

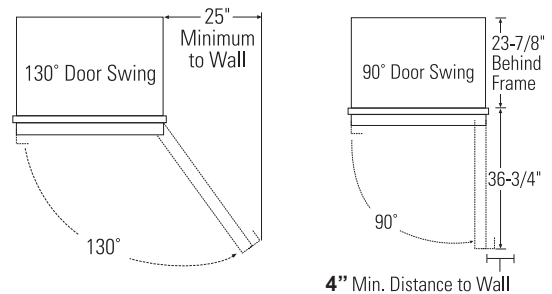
## DIMENSIONS AND CLEARANCES



\* Shipping height. The refrigerator can be adjusted to fit into a cutout that is 84-1/2" max. height. Note that the top case trim at the front is 1/2" higher and will overlap upper cabinetry or soffit. Use leveling legs and wheels for a maximum 1" height adjustment.

### Product Clearances

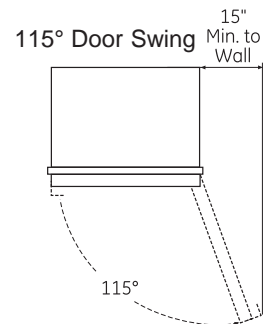
These refrigerators are equipped with a 3-position door stop. The factory set 115° door swing can be adjusted to 90° if clearance to adjacent cabinets or walls is restricted.



Allow 25" minimum clearance for a full 130° door swing. Allow 15" for pan removal.

For a 90° door swing, allow 4" min. clearance to a wall. If the 90° door stop position is used, pan access is maintained, but pan removal is restricted.

See illustration on page 10 to determine door swing interaction with adjacent cabinets or countertops.



## For Dual Installation

- If you are installing two refrigerators, side by side, the installation space must be 71-1/2" wide.

**NOTE:** Additional cutout width may be required when side panels are used. Add side panel thickness to the finished cutout to calculate rough-in width.

- The water and electrical locations for each product must be located as shown.
- A separate 115V, 60Hz., 15 or 20 amp power supply is recommended for each product.

# Design Guide - Standard Installation

## CUSTOMIZATION BASICS: Framed Or Overlay Panels, Custom Handles and Accessory Kits

These refrigerators are designed to be customized with decorative panels. Field installed custom door and grille panels are required.

### Side Panels

Side panels must be used whenever the sides of the refrigerator will be exposed.

## REFRIGERATOR LOCATION

- Do not install the refrigerator where the temperature will go below 55°F (13°C). It will not run often enough to maintain proper temperatures.
- Do not install the refrigerator where temperatures will go above 100°F (37°C). It will not perform properly.
- Do not install the refrigerator in a location exposed to water (rain, etc.) or direct sunlight.
- Install it on a floor strong enough to support it fully loaded.

## Optional Accessory Kits

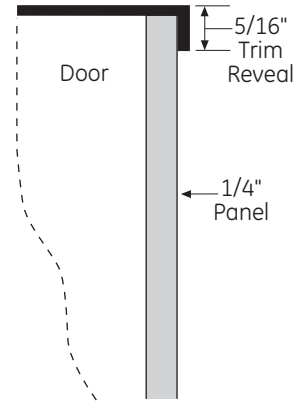
- **ZKHCSS2:** Monogram Tubular Stainless Steel handles designed to fit 3/4" overlay panels. This kit also includes a handle side trim for custom handles.
- **ZKHPSS1:** Professional Tubular Stainless Steel Handle designed to fit 3/4" overlay panels. Kit includes one handle. Order 2 kits for bottom-freezer refrigerators from your Monogram supplier.
- **ZUG2/ZUGSS2:** For side-by-side installation of two trimmed bottom-freezer refrigerators. This kit provides for the installation of a unified custom grille panel to span the width of two units using a framed or overlay panel.
- **ZKHCT:** Handle side trim for left-hand and right-hand doors. For use on 3/4" custom panels when using a custom handle.

# Design Guide - Standard Installation

## 1/4" FRAMED PANEL DIMENSIONS

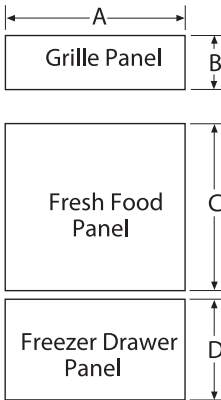
If you choose to install framed panels, they must be cut to the dimensions shown. The panels will slide into the frame on the door, drawer and grille.

If the custom panel is less than 1/4" thick and if it fits loosely in the door frame, it can be backed up with a piece of filler material or foam tape to improve the fit.



**IMPORTANT NOTE:** Maximum total panel weight:

- Fresh food door panel – 58 lbs.
- Freezer drawer panel – 28 lbs.
- Grille Panel – 11 lbs.



### Framed Panel Dimensions

	A (Width)	B (Grille Height)	C (FF Height)	D (FZ Height)
1/4" Framed Panel	33-7/8"	8-7/8"	46-1/16"	21-7/8"

### Overlay Panel Dimensions

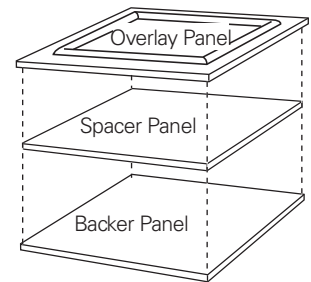
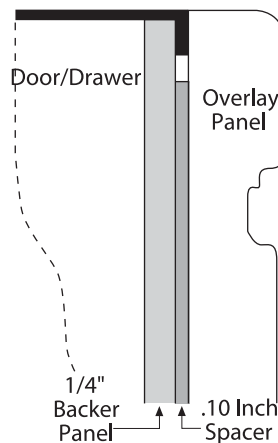
	A (Width)	B (Grille Height)	C (FF Height)	D (FZ Height)
1/4" Backer Panel	33-7/8"	8-7/8"	46-1/16"	21-7/8"
0.10" Spacer Panel	32-1/2"	7-5/8"	44-11/16"	20-1/2"
3/4" Overlay Panel	34-1/8"	9"	46-5/16"	22"

## 3/4" OVERLAY PANEL DIMENSIONS

For a more custom appearance, overlay panels may be installed on trimmed models. The overlay panel must be secured to a 1/4" thick backer panel which slides into the trim. A spacer panel 0.10" thick must be placed between the overlay and backer panel.

Assemble the panels with glue and screws.

- Center the spacer panel on the backer panel, left to right and top to bottom. Secure the panels with glue.
- Center the spacer and backer panel on the overlay panel and secure with glue and screws. Screws must be countersunk into the backer panel.



**IMPORTANT NOTE:** Maximum total weight for the assembled panels:

- Fresh food door panel – 58 lbs.
- Freezer drawer panel – 28 lbs.
- Grille Panel – 11 lbs.

**NOTE:** Left-to-right offset is not always equal to top-to-bottom offset.



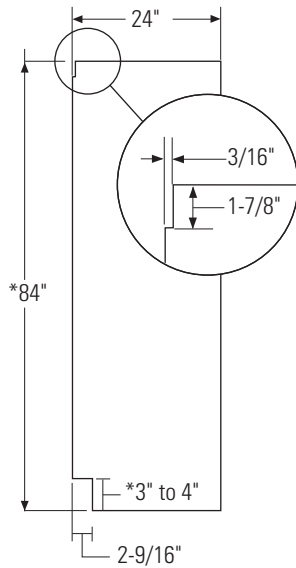
# Design Guide - Standard Installation

## SIDE PANELS

Side panels must be used whenever the sides of the refrigerator will be exposed. The 1/4" side panels will slip into the side case trim. Secure the panels to the refrigerator with stick-on hook and loop fastener strips. Order the side panels from the cabinet manufacturer.

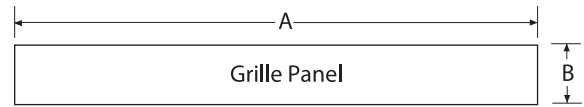
- Cut a notch in the top front corner as shown to allow clearance for corner keys in the front side trim.

\* Depending on installation height.



## ZUG2 GRILLE PANEL DIMENSIONS

The ZUG2 unified grille panel kit provides for the installation of a framed or overlay grille panel.

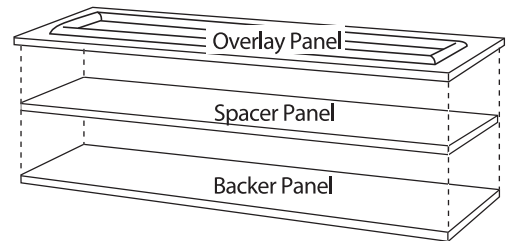


### Framed Panel Dimensions

	A (Width)	B (Height)
1/4" Framed Panel	69-7/8"	8-7/8"

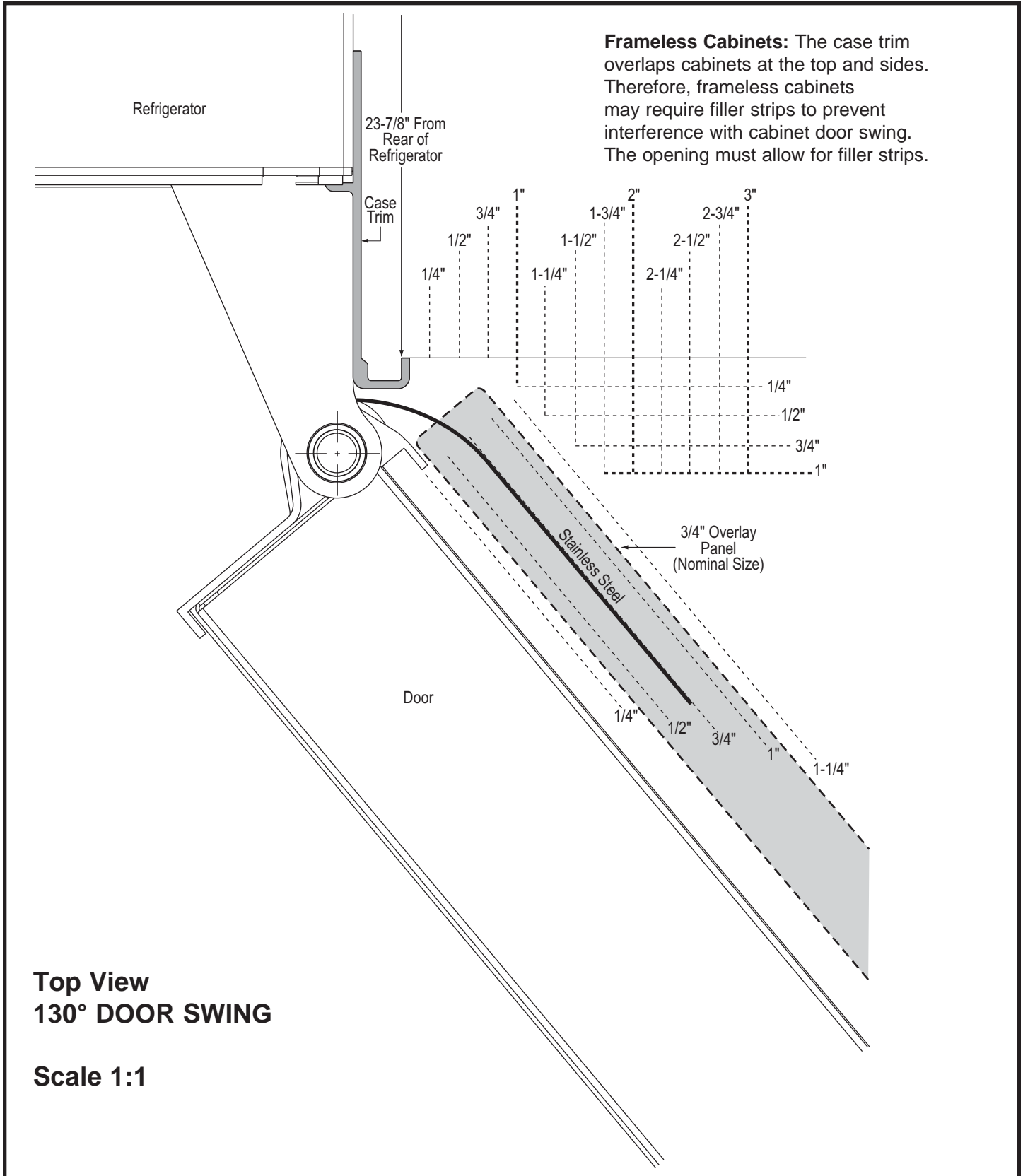
### Overlay Panel Dimensions

	A (Width)	B (Height)
1/4" Backer Panel	69-7/8"	8-7/8"
0.10" Spacer Panel	68-1/2"	7-5/8"
3/4" Overlay Panel	70-1/8"	9"



Assemble the overlay panels in the same manner as the door and drawer panels.

# Design Guide - Standard Installation



# Installation Instructions - Standard Installation

## TOOLS REQUIRED

- Tinsnips to cut banding
- Stepladder
- Bucket
- Level
- Appliance Hand Truck
- Tubing cutter
- 7/16" open-end wrench
- #2 Phillips screwdriver
- Drill and appropriate bits
- 5/16", 7/16" socket
- Safety glasses
- 1-1/4" open end wrench
- Pliers
- 1/4" ratchet

## HARDWARE SUPPLIED

- Water filter bypass plug
- Anti-Tip brackets
- 1/4" nut and ferrule

## MATERIALS REQUIRED

- 35" long 2x4 for Anti-Tip support
- 1/4" copper water line tubing or SmartConnect™ Refrigerator Tubing kits
- Water shut-off valve
- Custom panels for fresh food door, freezer drawer and grille panel
- Screws to secure refrigerator to cabinetry.
- Stick-on hook and loop fastener strips for 1/4" side panels

## FLOORING

For proper installation, this refrigerator must be placed on a level surface of hard material that is at the same height as the rest of the flooring. This surface should be strong enough to support a fully loaded refrigerator, or approximately 1,200 lbs.

**NOTE:** Protect the finish of the flooring. Cut a large section of the cardboard carton and place under the refrigerator where you are working.

## GROUNDING THE REFRIGERATOR

**⚠ WARNING**  **Electrical Shock Hazard.**

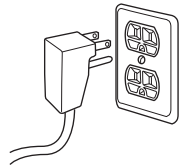
Failure to follow these instructions can result in death, fire, or electrical shock.

The power cord of this appliance is equipped with a 3-prong (grounding) plug which mates with a standard 3-prong (grounding) wall receptacle to minimize the possibility of electric shock hazard from this appliance.

Have the wall outlet and circuit checked by a qualified electrician to make sure the outlet is properly grounded.

Where a standard 2-prong wall outlet is encountered, it is your personal responsibility and obligation to have it replaced with a properly grounded 3-prong wall outlet.

DO NOT, UNDER ANY CIRCUMSTANCES, CUT OR REMOVE THE THIRD (GROUND) PRONG FROM THE POWER CORD.



DO NOT USE AN ADAPTER PLUG TO CONNECT THE REFRIGERATOR TO A 2-PRONG OUTLET.

DO NOT USE AN EXTENSION CORD WITH THIS APPLIANCE.

## MISE À LA TERRE DU RÉFRIGÉRATEUR

**⚠ AVERTISSEMENT**  **Risque de choc électrique.**

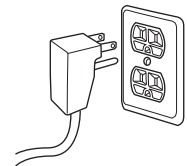
Le non-respect de ces instructions peut entraîner des risques d'incendies, des chocs électriques ou la mort.

Le cordon d'alimentation de cet appareil est équipé d'une fiche à trois broches (pour une mise à la terre) qui s'adapte à la prise de courant standard à 3 broches (pour une mise à la terre) pour minimiser les risques de chocs électriques par cet appareil.

Faites vérifier la prise murale et le circuit électrique par un électricien qualifié pour s'assurer que le système est correctement mis à la terre.

Dans le cas d'une prise biphasée, l'installateur a la responsabilité et l'obligation de la remplacer par une prise triphasée correctement mise à la terre.

NE COUPEZ PAS OU N'ENLEVEZ PAS, SOUS AUCUN PRÉTEXTE, LA TROISIÈME BROCHE DE MISE À LA TERRE DU CORDON D'ALIMENTATION.



N'UTILISEZ PAS D'ADAPTATEUR POUR BRANCHER LE RÉFRIGÉRATEUR À UNE PRISE BIPHASÉE.

N'UTILISEZ PAS DE RALLONGE AVEC CET APPAREIL.

# Installation Instructions - Standard Installation

## STEP 1 REMOVE PACKAGING

### ⚠ WARNING Tip Over Hazard.

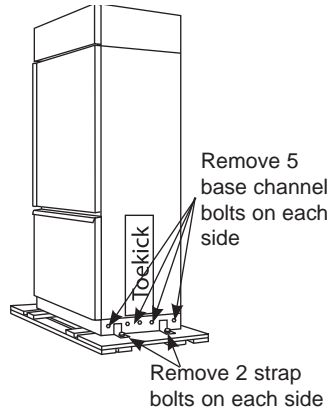
The refrigerator is much heavier at the top than at the bottom—be careful when moving. When using a hand truck, handle from the side only.

### ⚠ AVERTISSEMENT Risque de

**basculement** Le réfrigérateur est beaucoup plus lourd en haut qu'en bas. Il faut être prudent lors des déplacements. Si un diable est utilisé, il faut soulever le réfrigérateur sur le côté seulement.

- Carefully cut banding at the top and bottom, remove the outer carton.
- Slide out the back corner posts (2).
- Slide the carton off the top of the cabinet.

**NOTE:** IT IS NOT NECESSARY TO LAY THE CABINET DOWN IN ORDER TO REMOVE THE SKID!



- The unit is secured to the skid with 4 slotted tie-down straps. Remove the six 7/16" bolts from the base channels in the tie-downs.

- Remove the six 7/16" bolts securing the straps to the skid.

**NOTE:** DO NOT ATTEMPT TO ROLL UNIT OFF SKID.

- The support blocks on the bottom of the refrigeration case must be removed before the refrigerator is taken off the skid or damage will occur. Carefully tilt the refrigerator and slide the blocks out from beneath.
- Remove the toe kick and set aside for final installation.
- Lift the refrigerator off the skid with an appliance dolly. Handle from the sides.

## STEP 2 INSTALL WATER LINE

- A cold water supply is required for automatic icemaker operation. The water pressure must be between 40 and 120 p.s.i.
- Route 1/4" OD copper or SmartConnect™ plastic tubing between house cold water line and the water connection location.
- Tubing should be long enough to extend to the front of the refrigerator. Allow enough tubing to accommodate bend leading into the water line connection.

**NOTE:** The only GE Appliances-approved plastic tubing is supplied in the SmartConnect™ Refrigerator Tubing kits. Do not use any other plastic water supply line because the line is under pressure at all times. Other types of plastic may crack or rupture with age and cause water damage to your home.

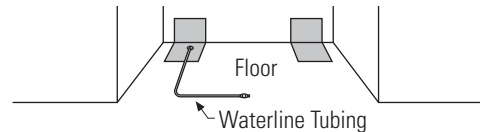
SmartConnect™ Refrigerator Tubing Kits are available in the following lengths:

- 2' (.6 m) WX08X10002
- 8' (2.4 m) WX08X10006
- 15' (4.6 m) WX08X1 0015
- 25' (7.6 m) WX08X10025

### Shut off the main water supply.

Turn on the nearest faucet long enough to clear the line of water.

- Install a shut-off valve between the icemaker water valve and cold water pipe in a basement or cabinet. The shut-off valve should be located where it will be easily accessible.



- Turn on the main water supply and flush debris. Run about a quart of water through the tubing into a bucket. Shut off water supply at the shut-off valve.

**NOTE:** Saddle type shut-off valves are included in many water supply kits, but are not recommended for this application.

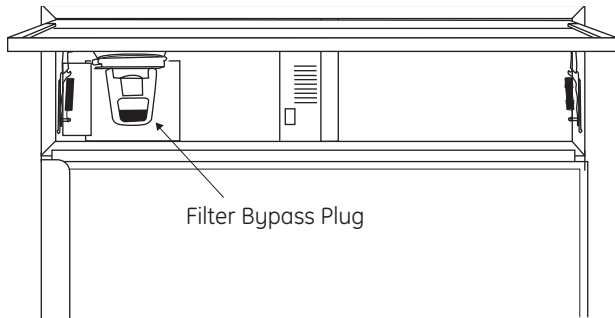
**NOTE:** Commonwealth of Massachusetts Plumbing Codes 248CMR shall be adhered to. Saddle valves are illegal and use is not permitted in Massachusetts. Consult with your licensed plumber.

# Installation Instructions - Standard Installation

## STEP 2A WATER LINE INSTALLATION WITH A REVERSE OSMOSIS SYSTEM

**Skip this step when not using an RO System**

If the water supply to the refrigerator is from a Reverse Osmosis Water System, use the refrigerator's filter bypass plug. Using the refrigerator's water filtration cartridge with the RO filter can result in hollow ice cubes.



## STEP 3 INSTALL SIDE PANELS

**Skip this step when not using side panels.**

If you are using 1/4" side panels, they should be inserted into the case trim. Fasten the panels to the refrigerator with stick-on hook and loop fastener strips before setting refrigerator in place.

## STEP 4 ANIT-TIP PROCEDURE

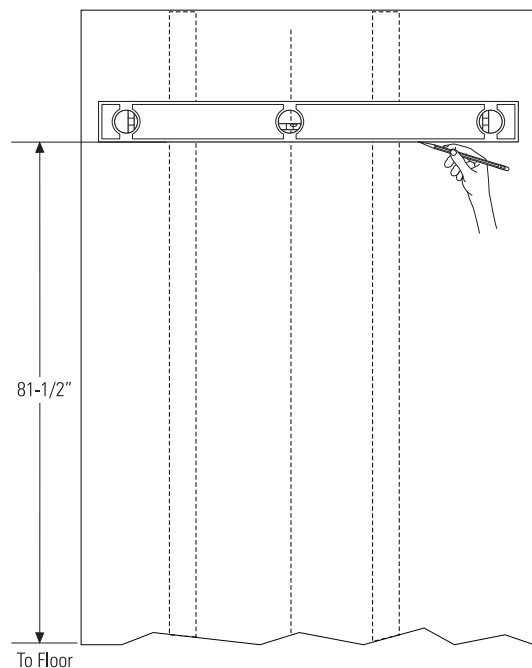
### ⚠ WARNING Tip Over Hazard.

These refrigerators are top heavy, especially with any doors open, and must be secured to prevent tipping forward which could result in death or serious injury. Read and follow the entire installation instructions for securing the refrigerator with the anti-tip system.

### ⚠ AVERTISSEMENT Risque de basculement

Ces réfrigérateurs présentent une partie supérieure lourde, en particulier avec une porte ouverte; ils doivent donc être fixés pour prévenir le basculement vers l'avant et le risque concomitant de blessure grave ou fatale. Lisez et suivez les instructions d'installation complètes pour l'installation du système anti-basculement.

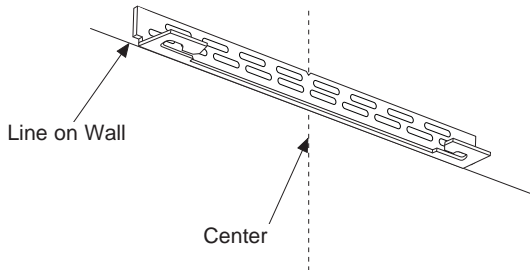
- The kit supplied with the unit contains 2 lag bolts and 4 toggles with bolts. The wall bracket will be attached to the wall in 4 places.
- Measure the opening where the unit is to be installed. Mark the center with a vertical line.
- Measure up 81 1/2" from the floor. Mark this point on the wall.
- Using a level, draw a horizontal line on the wall at this height.



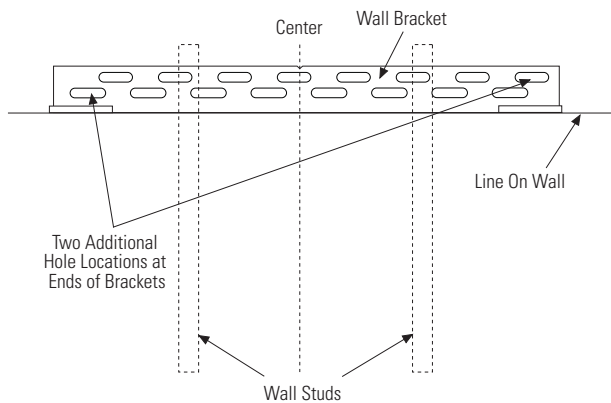
# Installation Instructions - Standard Installation

## STEP 4 ANIT-TIP PROCEDURE (CONT)

- Locate at least 2 studs on the back wall. Mark these points on the horizontal line.
- Place the bottom of the wall bracket with tabs on the horizontal line. Align the center notch on the bracket with the center line on the wall.



- The anti-tip wall bracket has a series of holes. Select 2 holes that match with the located studs. Make sure the holes selected are on the center of the studs. Mark the wall at these points.
- Mark an additional hole at each end of the bracket. If one of the studs is closer to the end of the bracket, mark an additional hole towards the center of the bracket.
- Drill 1/2" holes into the wall board at the locations marked for the toggles to be mounted (not the stud markings).
- Drill 3/16" holes into wooden studs where marked. If steel stud construction, drill 1/2" holes into the studs where marked. You will use 2 toggles with the metal studs.

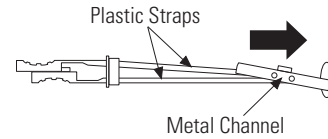


### Install Wall Toggles:

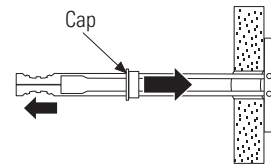
The wall toggles and bolts can be ordered as Service Kit #WR49X10193. Wall toggles are installed in the drywall and metal studs for stability. Install the wall toggles as follows:

- Drill 1/2" holes at the wall markings made in the holes at the ends of the wall bracket.
- Hold the metal channel flat against the plastic straps and slide the channel through the hole.

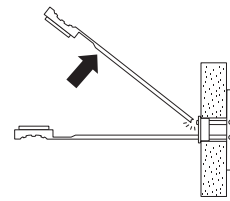
- Gently pull back at the ends of the plastic straps to make the channel rest flush behind the wall.



- Hold the ends of the straps in one hand and slide the plastic cap along the straps until the flange of the cap is flush with the wall.

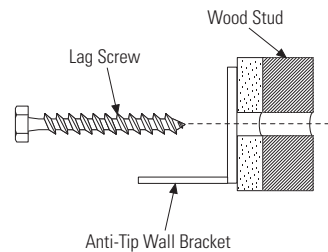


- Place your thumb between the plastic straps and bend up and down to snap the straps off at the wall.

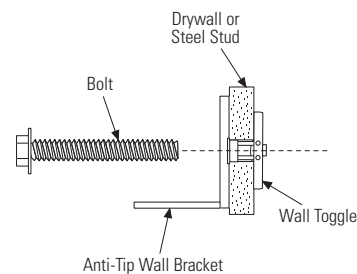


### Install Screws and Bolts:

- Have someone hold the wall bracket centered in place with each of the holes aligned with the correct opening in the bracket and level with the horizontal line.



- Insert the lag screws through the bracket and into the stud. Tighten with a wrench.
- Insert the bolts into the toggle by hand until snug. Tighten with a wrench.



# Installation Instructions - Standard Installation

## STEP 4 ANIT-TIP PROCEDURE (Cont)

### CONNECT POWER CORD:

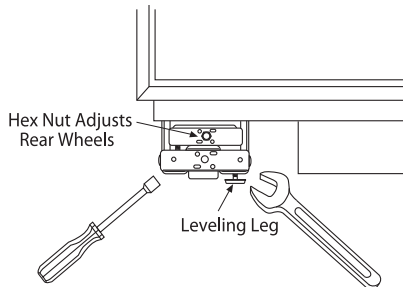
- Before pushing the refrigerator into the opening, plug the power cord into the receptacle. Open the grille panel and reach into the opening at the back to grasp the power cord. Pull the power cord into the opening as you push the refrigerator back.
- Gently push refrigerator into the opening with hands against front corners.

**IMPORTANT:** When the refrigerator is installed under a soffit or if there is not enough height for this method of security, brackets cannot be used. Proceed to step 6 to level the refrigerator and then to step 8 to secure refrigerator to cabinets. See step 9 if you have metal wall studs. The refrigerator must be secured to prevent tipping.

## STEP 5 LEVEL REFRIGERATOR

All models have 4-point leveling. The front is supported by leveling legs, the rear is supported by adjustable wheels. Both are accessible from the front of the refrigerator.

- To level the back of the refrigerator, turn the 7/16" hex nut located above the front wheels. Turn clockwise to raise or counterclockwise to lower the refrigerator.
- For front leveling, use a 1-1/4" open-end wrench.
- Adjust height of refrigerator to match installation cutout opening 83-1/2 to 84-1/2". The refrigerator should be level and plumb with cabinetry.



### CAUTION

The rear leveling wheels and front leveling legs are limited to a maximum height adjustment of 1". If the installation requires more than 84-1/2" height, the installer should elevate the refrigerator on a sheet of plywood or runners. Cabinetry trim could also be added across the top of the opening to shorten the opening. If you attempt to raise the refrigerator more than 1", you will damage the front leveling legs and the rear leveling wheels.

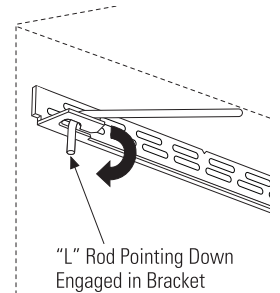
## STEP 5 LEVEL REFRIGERATOR (Cont)

### ATTENTION

Les roues de nivellement arrière et les pattes de nivellement avant permettent un réglage maximal de 25 mm (1 po). Si l'ouverture pour le réfrigérateur a une hauteur supérieure à 2,15 m (84-1/2 po), l'installateur doit élever le réfrigérateur sur une feuille de contre-plaqué ou des glissières. Il est également possible d'ajouter des baguettes de finition des placards sur le haut de l'ouverture afin de la réduire. Lever le réfrigérateur de plus de 25 mm (1 po) endommage les pattes de nivellement avant et les roues de nivellement arrière.

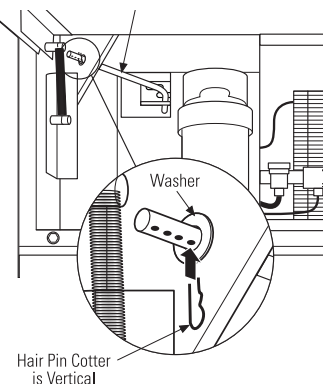
## STEP 6 SECURE UNIT TO WALL

- The "L" rod can be found in the upper left corner of the unit in the access compartment. Look through the access compartment to make sure the rod lines up with the anti-tip bracket.
- There are 2 washers and a hair pin cotter with the rod. Remove the washers and hair pin cotter from the end of the rod.
- Rotate and move the "L" rod into the slot in the anti-tip bracket. Once it is in the slot, rotate the "L" rod so the hook portion is pointing down. The holes at the front end of the rod should be in a vertical position.
- Pull out on the end of the rod to make sure it is secure in the bracket.
- Locate the hole on the rod that is closest to the unit. A hair pin cotter will be put through this hole to secure the rod. If this hole appears to be too far away for a snug fit against the unit, add the washers one at a time until the pin will fit tightly into the hole.
- Align the straight section of the pin with the hole from the underside of the rod. Push the pin up until it snaps into position. Pliers may be used.



"L" Rod Pointing Down Engaged in Bracket

- **NOTE:** The hair pin cotter must be vertical when this step is completed to ensure the "L" rod is engaged in the bracket.
- Check the rod for tightness by pulling forward. If the rod moves, remove the hair pin cotter and place another washer on the rod. Reinsert the pin.



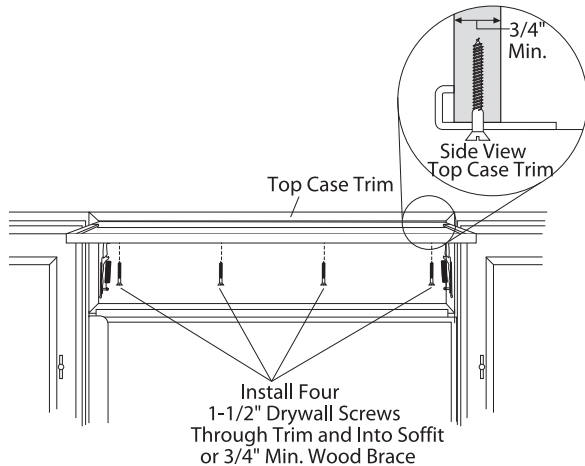
Hair Pin Cotter is Vertical

# Installation Instructions - Standard Installation

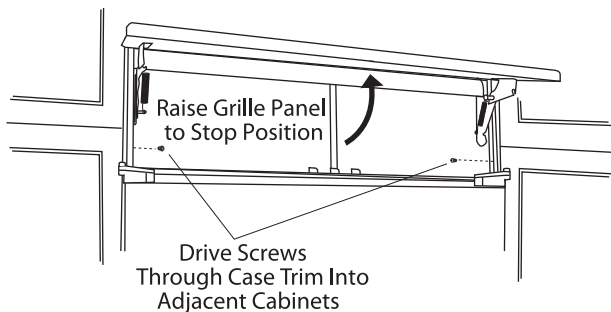
## STEP 7 ALTERNATE ANTI-TIP PROCEDURE

The refrigerator must be secured to prevent tipping.

If the anti-tip bracket cannot be used, this alternate procedure may be used to secure the refrigerator against tip-over



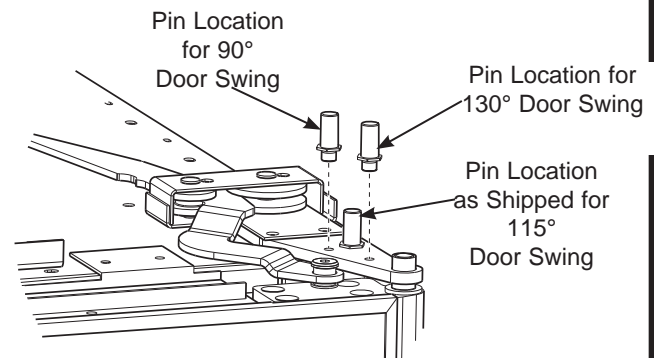
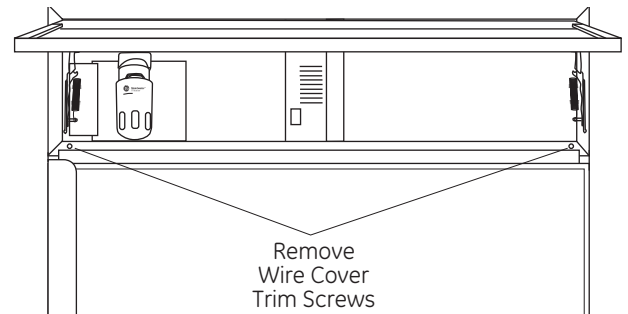
- Raise the grille panel to access case trim.
- Use a 3/16" bit to drill four evenly spaced clearance holes through the metal top case trim.
- Use a 1/16" bit to drill to pilot holes through the metal clearance holes and into the wood soffit. The holes should be centered in the soffit or a 3/4" min. wood brace. The brace spanning the enclosure must be securely fastened to cabinets on both sides.
- Install four, 1-1/2" drywall screws into the pilot holes.
- If no soffit above the unit, drill screws into adjacent cabinets through the side case trim.



## STEP 8 ADJUST DOOR SWING

**NOTE:** This refrigerator has a 3-position door stop. When space does not allow the door to swing open fully to 115°, you may change the door swing to a 90° opening. A 130° door swing is available for standard installation only. If used for flush installation, damage will occur to wood panels. **Skip this step if door opening is satisfactory for your installation situation.**

- Lift the grille panel to access the wire cover trim.
- Remove screws on both sides of the wire cover trim and rotate off.
- Use pliers to unscrew door stop and reinstall into the 90° or 130° position.



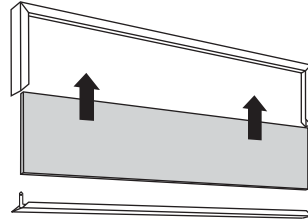
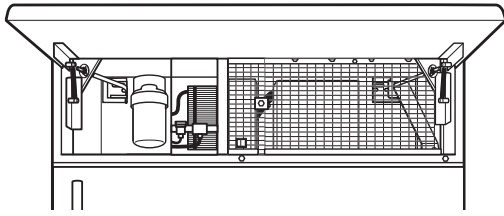
- Reinstall the wire cover trim.



# Installation Instructions - Standard Installation

## STEP 9 INSTALL GRILLE PANEL

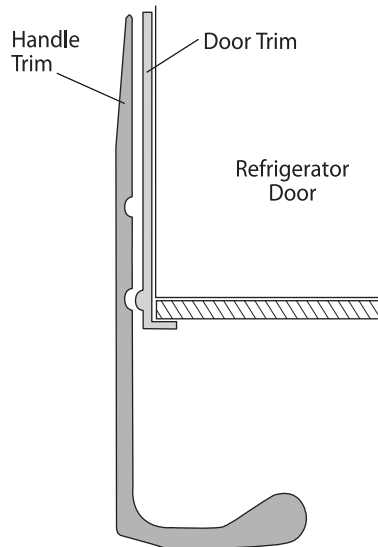
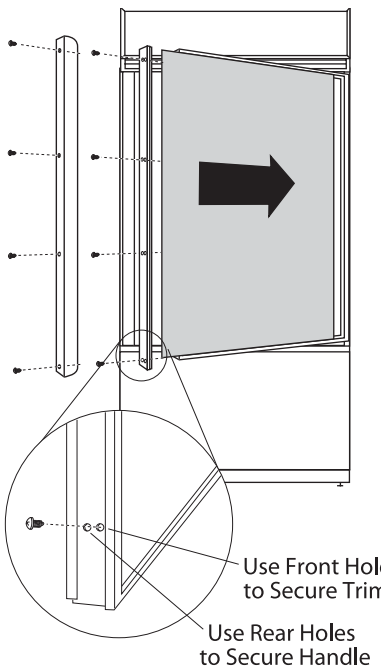
- Raise the access panel to the stop position.



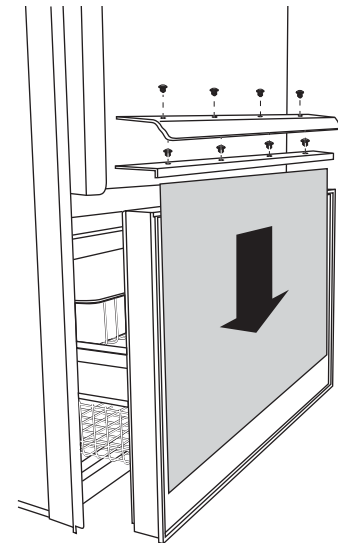
- Loosen the screws on the side trim behind the frame. Remove the bottom trim.
- Slide the panel over the metal baker panel and into the trim.
- If necessary, tap with a wood block until the panel slips under the top trim piece.
- Reassemble the bottom trim. Tighten the screws.
- Adjust the hinge spring to accommodate the panel weight, if necessary.

## STEP 10 INSTALL 1/4" FRAMED PANELS

Right hand models shown. Use the same instructions for left hand models.  
**IF YOU ARE INSTALLING OVERLAY PANELS, GO TO STEP 10A.**



Standard supplied handle shown in 1/4" panel position.



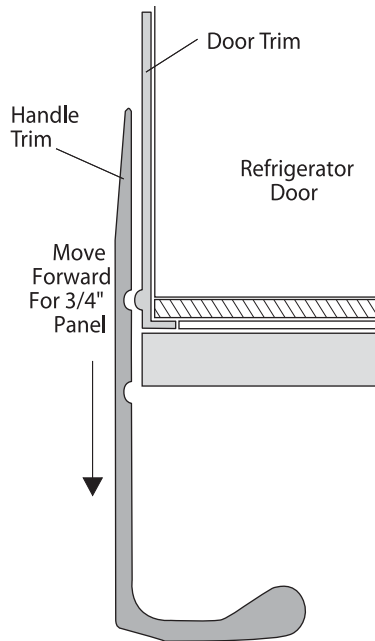
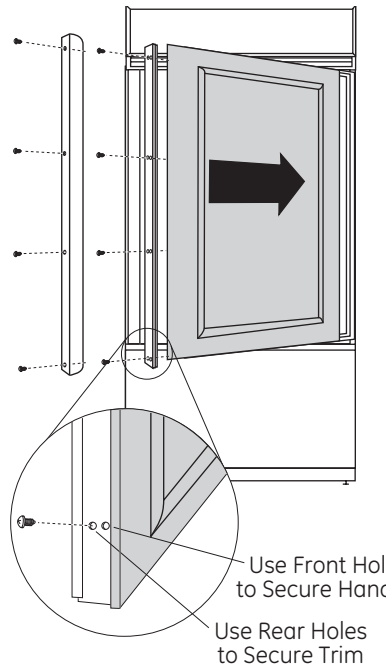
### Install door and drawer panels:

- Open door to 90°. Remove the 4 Phillips head screws from the door handle.
- Remove handle. Retain all screws.
- Remove 4 screws holding trim, lift off trim. Retain screws.
- Slide framed panel into the door trim.
- There are two sets of holes in the handle side trim. Replace handle side trim by installing the original screws in the FRONT screw holes.
- Secure the handle to the door using the REAR screw holes.
- Follow the same procedures to install the drawer panel.

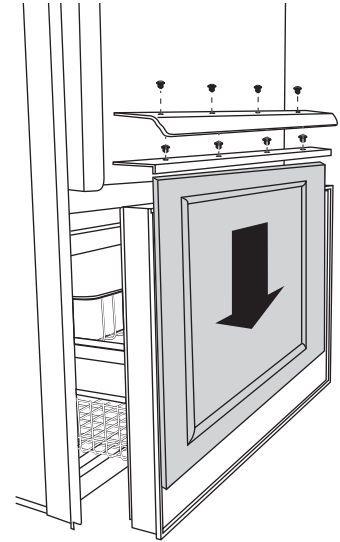
# Installation Instructions - Standard Installation

## STEP 10A INSTALL OVERLAY PANELS

Right hand models shown. Use the same instructions for left hand models.



Supplied handle shown in the overlay panel position.



### Install door and drawer panels:

- Open door to 90°. Remove the 4 Phillips head screws from the door handle.
- Remove handle. Retain all screws.
- Remove 4 screws holding trim, lift off trim. Retain screws.
- Slide overlay panel into the door trim.
- There are two sets of holes in the handle side trim. Replace handle side trim by installing the original screws in the REAR screw holes.
- Secure the handle to the door using the FRONT screw holes.
- Follow the same procedures to install the drawer panel.

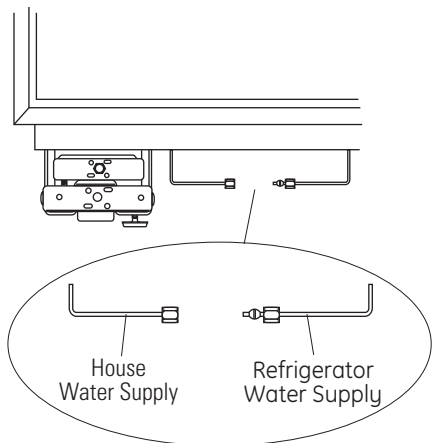
### Custom handles

If you are using custom handles, the handle must be properly secured to the panel before sliding the panel into the trim.

- The cabinet manufacturer will supply the custom handle and hardware.
- Secure the door/drawer trim using both the FRONT and REAR screw holes. Discard supplied handle.

# Installation Instructions - Standard Installation

## STEP 11 CONNECT WATER SUPPLY



- Locate and bring tubing to the front of the cabinet.
- Turn the water on to flush debris from line. Run about a quart of water through tubing into a bucket, then shut off water.

### Copper Tubing:

- Slip a 1/4" nut and ferrule (provided) over both ends of the copper tubing. Insert tube into the union fitting on the unit and tighten nut to union.
- Turn on the water to check for leaks.

### SmartConnect™ Tubing:

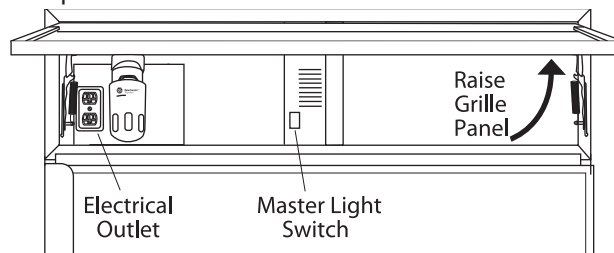
**NOTE:** The only GE Appliances-approved plastic tubing is supplied in the SmartConnect™ Refrigerator Tubing kits. Do not use any other plastic water supply line because the line is under pressure at all times. Other types of plastic may crack or rupture with age and cause water damage to your home.

- Insert the molded end of the tubing into the refrigerator connection. Tighten the compression nut until it is just hand tight.
- Tighten one additional turn with a wrench. Overtightening can cause leaks!
- Turn on the water to check for leaks.

**NOTE:** Make sure excess tubing length does not interfere with drawer closing or toekick installation.

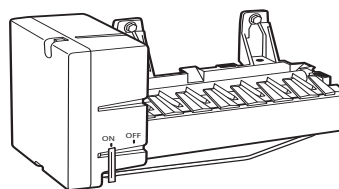
## STEP 12 CONNECT POWER

- Check to be sure the power cord is plugged into the receptacle.



- Check to make sure power to refrigerator is on by opening refrigerator door to see if interior lights are on.
- The temperature controls are preset at 37°F for the fresh food section and 0°F for the freezer.
- Allow 24 hours to stabilize before making adjustments.

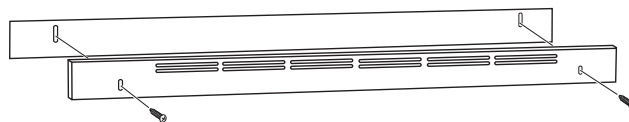
## STEP 13 START ICEMAKER



- The icemaker will begin operation automatically.
- Be sure nothing interferes with the sweep of the feeler arm.
- Discard the first full bucket of ice cubes.
- To turn the icemaker off, set the switch to O (OFF).

## STEP 14 INSTALL TOEKICK

- Locate the supplied toekicks (shipped taped to the side of the refrigerator).
- The narrower set of toe kicks will be used with standard installation. You can discard the other set of toe kicks.
- Install the toekick assembly with the 2 screws provided, adjust to the desired height and tighten the screws.

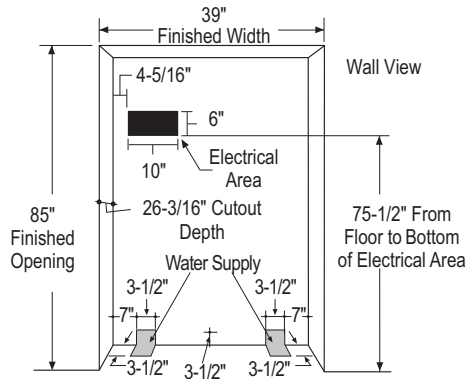


**IMPORTANT:** A custom toekick can be installed to match or complement the surrounding cabinetry but can NOT cover the horizontal vent slots of the factory toekick.

# **Instructions for Flush Installation**

# Design Guide - Flush Installation

## THE INSTALLATION SPACE



### Water And Electrical Locations

Electrical and water supply must be located as shown.

### The Cutout Depth Must Be 26-3/16"

Wooden cleats are required for flush installation. See *Side Cleats* on page 27.

### Cutout depth beneath a soffit:

When installed beneath a soffit, the soffit cannot exceed the 26-3/16" installation depth shown. The top case trim overlaps the bottom of the soffit.

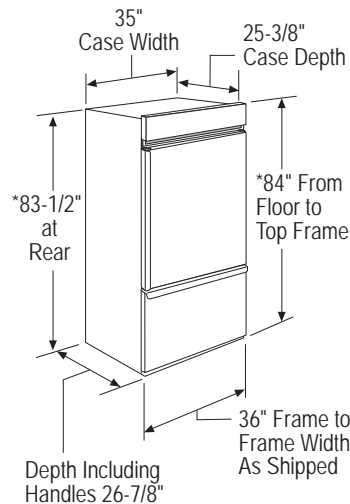
### Additional Specifications

- A 115 volt 60Hz., 15 or 20 amp power supply is required. An individual properly grounded branch circuit or circuit breaker is recommended. Install a properly grounded 3-prong electrical receptacle recessed into the back wall. Electrical must be located on rear wall as shown.

**NOTE:** GFI (ground fault interrupter) is not recommended.

- Water line can enter the opening through the floor or back wall. Route SmartConnect™ kit or 1/4" O.D. copper tubing between the cold water line and the water connection location. The tubing should be long enough to extend to the front of the refrigerator. Installation of an easily accessible shut-off valve in the water line is required.

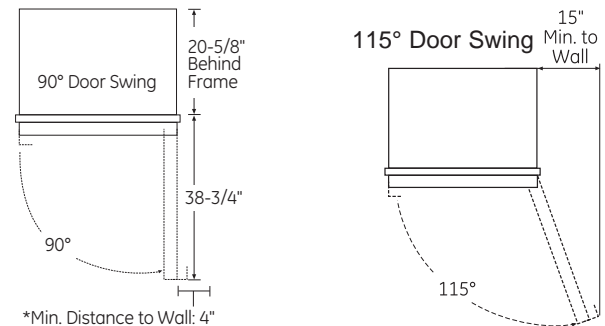
## DIMENSIONS AND CLEARANCES



\* Shipping height. The refrigerator can be adjusted to fit into a cutout that is 85" max. height. Use leveling legs and wheels for a maximum 1" height adjustment.

### Product Clearances

These refrigerators are equipped with a 3-position door stop. The factory set 115° door swing can be adjusted to 90° if clearance to adjacent cabinets or walls is restricted.

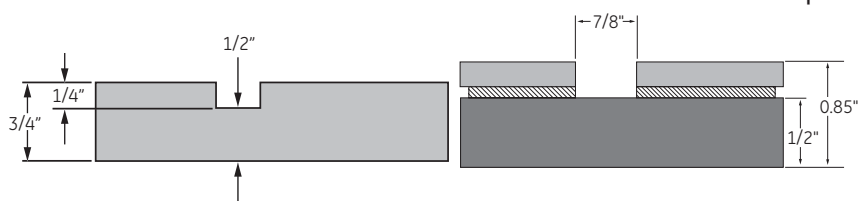


For a 90 degree door swing, allow 4" min. clearance to wall. If the 90 degree door stop position is used, pan access is maintained, but pan removal is restricted

## CUSTOM HANDLE DESIGN GUIDE

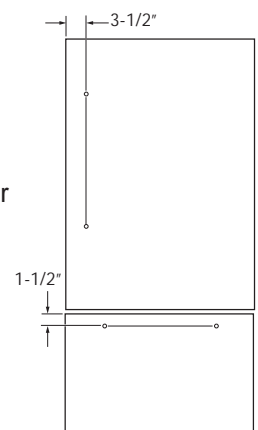
Custom handles must be used for flush installation. For custom handle installation, counterbore holes in rear of decorative panels must ensure 1/2" material thickness remains for handle support.

**NOTE:** The counterbore must not exceed 1" in diameter.



Minimum distance on Fresh Food Door from handle side edge to handle center should be 3-1/2" as shown.

Minimum distance on Freezer Door from top edge to handle center on the freezer drawer should be 1-1/2" as shown.



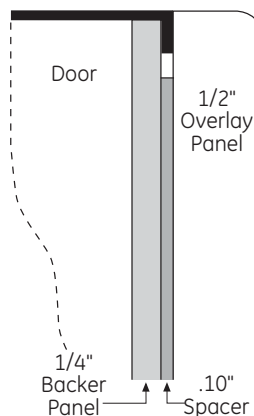
# Design Guide - Flush Installation

## 1/2" OVERLAY PANEL DIMENSIONS

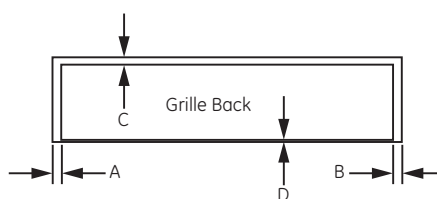
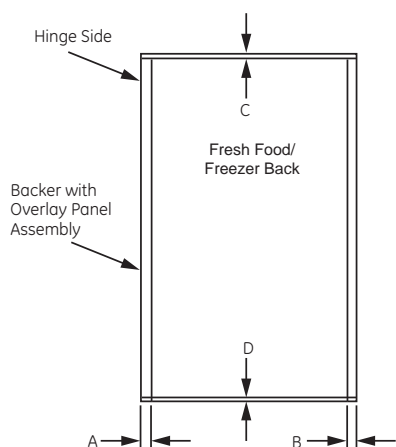
For a more custom appearance, overlay panels may be installed on trimmed models. The overlay panel must be secured to a 1/4" thick backer panel which slides into the trim. A spacer panel 0.10" thick must be placed between the overlay and backer panel.

### Assemble the panels with glue and screws:

- Center the spacer panel on the backer panel, left to right and top to bottom. Secure the panels with glue.
- Refer to the following chart for locating the backer panel to the overlay panel. Secure the overlay panel to the backer panel with glue and screws. Screws must be countersunk into the backer panel.



$$.250" + .10" + .50" = .850" \text{ Total Panel Thickness}$$



	A	B	C	D
Door Panel	2-1/16"	2-1/16"	5/16"	3/16"
Drawer Panel	2-1/16"	2-1/16"	5/16"	3/16"
Grille Panel	2-1/16"	2-1/16"	1-11/16"	3/16"

**IMPORTANT NOTE:** Maximum total weight for the assembled panels:

- Fresh food door panel – 75 lbs.
- Grille Panel – 18 lbs.

### Panel Dimensions

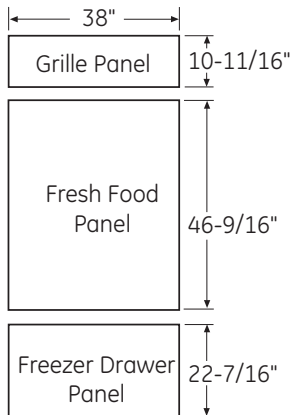
	Fresh Food	Freezer	Grille
1/4" Backer Panel	46-1/16" x 33-7/8"	21-7/8" x 33-7/8"	8-7/8" x 33-7/8"
.10" Spacer Panel	44-11/16" x 32-1/2"	20-1/2" x 32-1/2"	7-5/8" x 32-1/2"
1/2" Overlay Panel	46-9/16" x 38"	22-7/16" x 38"	10-11/16" x 38"

# Design Guide - Flush Installation

## 3/4" DECORATIVE PANEL DIMENSIONS

For a more custom appearance, overlay panels may be installed to give a flush appearance with surrounding cabinets. The overlay panel must be 3/4" thick. Panel attaches to included brackets to provide mounting to the appliance door.

**NOTE:** We recommend that decorative panels have inside corners and edges rounded or beveled by cabinet maker to avoid sharp edges on the panels. Edges to be treated should include the top, bottom and hinge side edges.



**IMPORTANT NOTE:** Maximum total weight for the assembled panels:

Door panel – 67 lbs.      Grille Panel – 18 lbs.

### **⚠ WARNING**



#### **Door Trim Pinch Point Hazard**

Improper installation can lead to a finger pinch point hazard between the side door trim and the cabinets when operating the door, especially with children. To minimize this risk you must follow the installation instructions for cabinet dimensions, trim assembly, and door stop angle.

## CUSTOMIZATION BASICS:

### Framed Or Overlay Panels, Custom Handles and Accessory Kits

These refrigerators are designed to be customized with decorative panels. Field installed custom door and grille panels are required.

#### Side Panels

Side panels must be used whenever the sides of the refrigerator will be exposed.

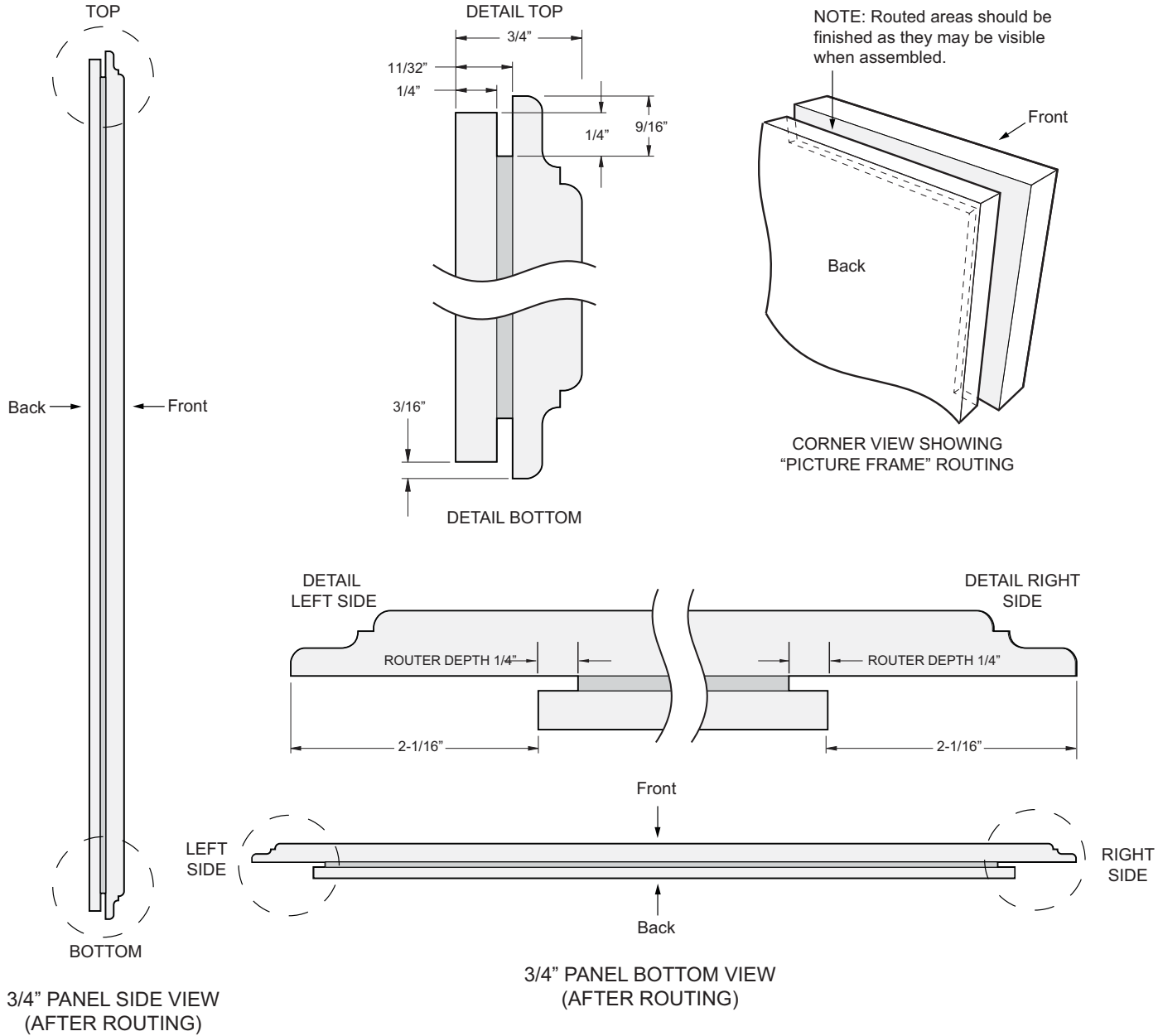
## REFRIGERATOR LOCATION

- Do not install the refrigerator where the temperature will go below 55°F (13°C). It will not run often enough to maintain proper temperatures.
- Do not install the refrigerator where temperatures will go above 100°F (37°C). It will not perform properly.
- Do not install the refrigerator in a location exposed to water (rain, etc.) or direct sunlight.
- Install it on a floor strong enough to support it fully loaded.

# Design Guide - Flush Installation

## 3/4" RAISED FRESH FOOD DOOR PANEL ROUTING

For 3/4" raised door panel, routing is required. The router depth is 1/4" all the way around the panel back. Additional panel width reductions are required per the diagrams below. This will create a "picture frame" routing that will slide onto the attached door trim.



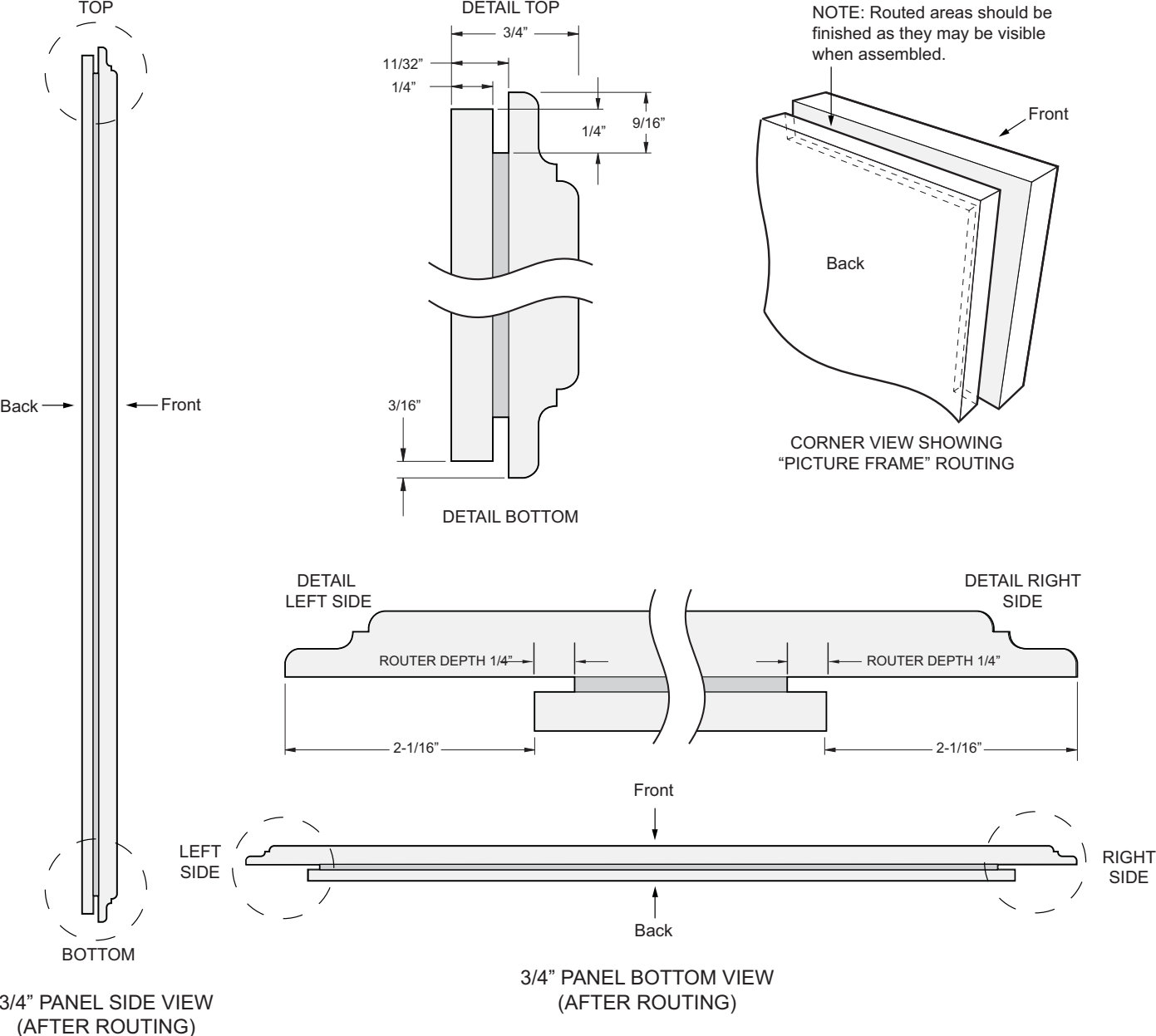
**NOTE:** For panels constructed with rails and stiles (5-panel), the minimum width is 3" for rails and 4" for stiles.



# Design Guide - Flush Installation

## 3/4" RAISED FREEZER DRAWER PANEL ROUTING

For 3/4" raised door panel, routing is required. The router depth is 1/4" all the way around the panel back. Additional panel width reductions are required per the diagrams below. This will create a "picture frame" routing that will slide onto the attached door trim.

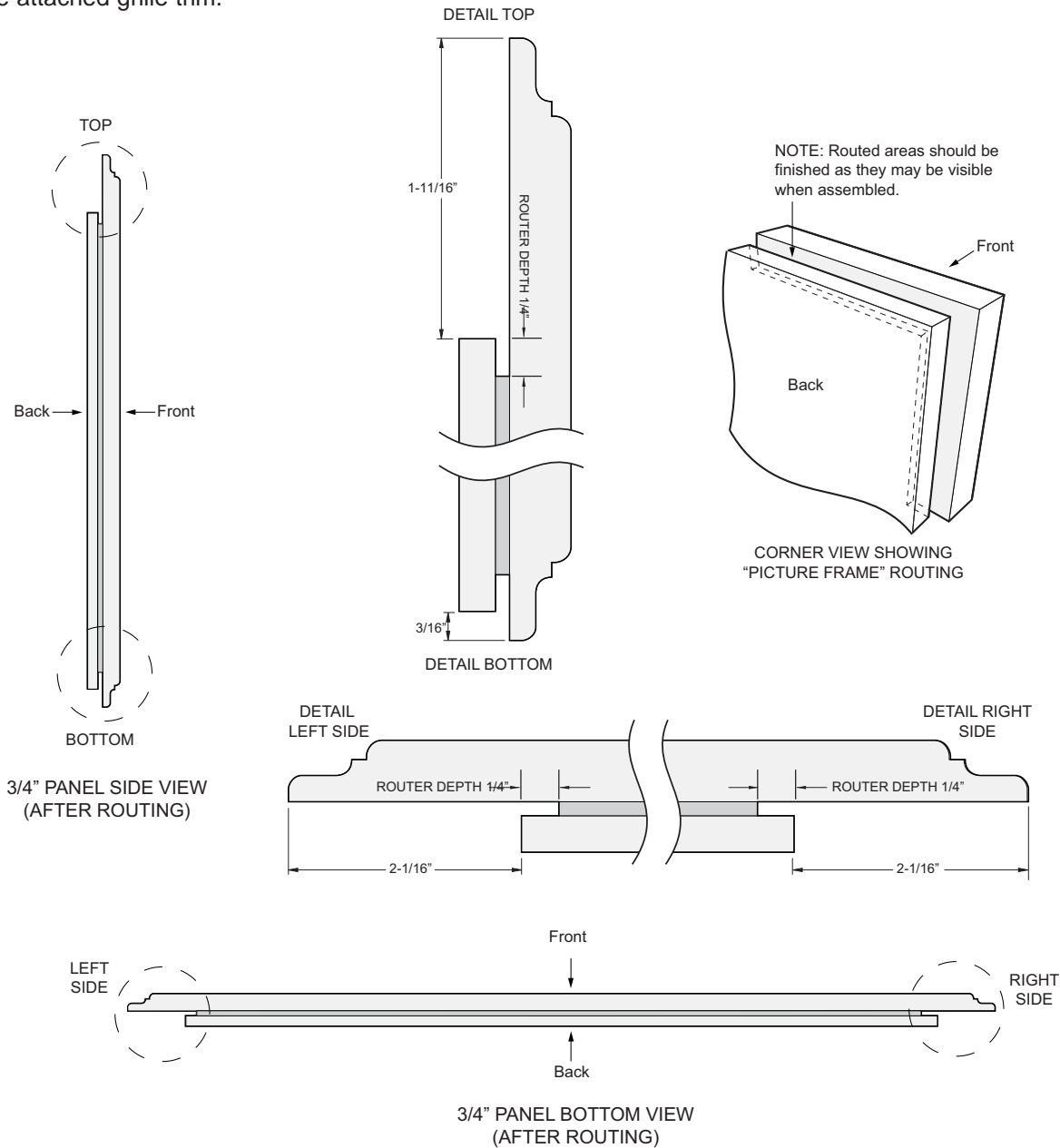


**NOTE:** For panels constructed with rails and stiles (5-panel), the minimum width is 3" for rails and 4" for stiles.

# Design Guide - Flush Installation

## 3/4" RAISED GRILLE PANEL ROUTING

For 3/4" raised grille panel, routing is required. The router depth is 1/4" all the way around the panel back. Additional panel width reductions are required per the diagrams below. This will create a "picture frame" routing that will slide onto the attached grille trim.



**NOTE:** For panels constructed with rails and stiles (5-panel), the minimum width is 3" for rails and 4" for stiles.

## Optional Accessory Kits

- ZKHCSS2: Monogram Tubular Stainless Steel handles designed to fit 3/4" overlay panels. This kit also includes a handle side trim for custom handles.
- ZKHPSS1: Professional Tubular Stainless Steel Handle designed to fit 3/4" overlay panels. Kit includes one handle. Order 2 kits for bottom-freezer refrigerators from your Monogram supplier.
- ZUG2: For side-by-side installation of two trimmed bottom-freezer refrigerators. This kit provides for the installation of a unified custom grille panel to span the width of two units using a framed or overlay panel.
- ZKHCT: Handle side trim for left-hand and right-hand doors. For use on custom panels when using a custom handle.

# Design Guide - Flush Installation

## INSTALLATION

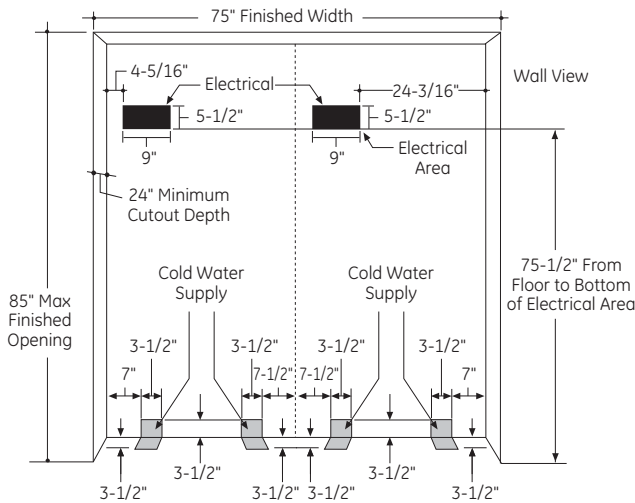
### ZUG2 Unified Grille Panel Kit

- If you are installing two units, side by side, the installation space must be 75" wide.

**Note:** Additional cutout width may be required when side panels are used. Add side panel thickness to the finished cutout to calculate rough-in width.

- The water and electrical locations for each product must be located as shown.
- A separate 115V, 60Hz., 15 or 20 amp power supply is recommended for each product.

**NOTE:** When implementing a dual installation, the factory installed standard case trim should be used on the handle side of each unit and the supplied flush case trim should be used on the hinge side of each unit.

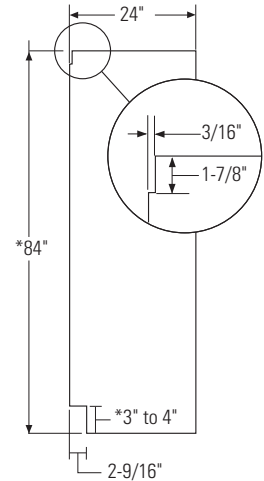


## SIDE PANELS

Side panels must be used whenever the sides of the refrigerator will be exposed.

The 1/4" side panels will slip into the side case trim. Secure the panels to the refrigerator with stick-on hook and loop fastener strips. Order the side panels from the cabinet manufacturer.

- Cut a notch in the top front corner as shown to allow clearance for corner keys in the front side trim.

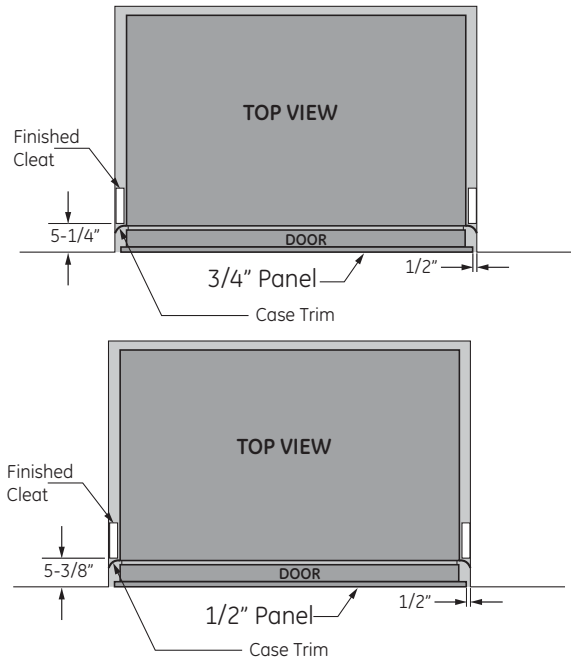


\* Depending on installation height.

## SIDE CLEATS

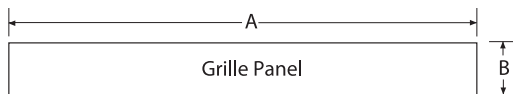
Wood cleats are required to be installed vertically down both sides of the cabinet opening to provide depth stop for the refrigerator when installed into the opening.

The cleat should be installed per the diagrams below based on the type of panel being used.



## ZUG2 GRILLE PANEL DIMENSIONS

The ZUG2 unified grille panel kit provides for the installation of a framed or overlay grille panel.

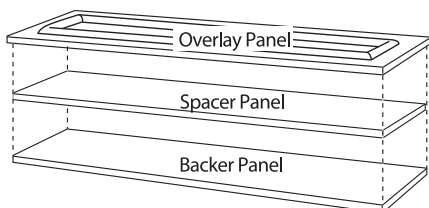


### Framed Panel Dimensions

	A (Width)	B (Height)
3/4" Routed Framed Panel	74"	10-11/16"

### Overlay Panel Dimensions

	A (Width)	B (Height)
1/4" Backer Panel	69-7/8"	8-7/8"
0.10" Spacer Panel	68-1/2"	7-5/8"
1/2" Flat Overlay Panel	74"	10-11/16"



Assemble the overlay panels in the same manner as the door and drawer panels.

## UNIFIED DOOR PANEL DIMENSIONS

Door panel dimensions for dual installation are:

FF Door: 46-9/16" x 36-7/8"

FZ Drawer: 22-7/16" x 36-7/8"

# Installation Instructions - Flush Installation

## TOOLS REQUIRED

- Tinsnips to cut banding
- Stepladder
- Bucket
- Level
- Appliance Hand Truck
- Tubing cutter
- 7/16" open-end wrench
- #2 Phillips screwdriver
- Drill and appropriate bits
- 5/16", 7/16" socket
- Safety glasses
- 1-1/4" open end wrench
- Pliers
- 1/4" ratchet

## HARDWARE SUPPLIED

- Water filter bypass plug
- Anti-Tip brackets
- 1/4" nut and ferrule
- Flush inset bracket pack
- Case trim

## MATERIALS REQUIRED

- 35" long 2x4 for Anti-Tip support
- 1/4" copper water line tubing or SmartConnect™ Refrigerator Tubing kits
- Water shut-off valve
- Custom panels for fresh food door, freezer drawer and grille panel
- Screws to secure refrigerator to cabinetry.
- Stick-on hook and loop fastener strips for 1/4" side panels

## FLOORING

For proper installation, this refrigerator must be placed on a level surface of hard material that is at the same height as the rest of the flooring. This surface should be strong enough to support a fully loaded refrigerator, or approximately 1,200 lbs.

**NOTE:** Protect the finish of the flooring. Cut a large section of the cardboard carton and place under the refrigerator where you are working.

## GROUNDING THE REFRIGERATOR

**⚠ WARNING**  **Electrical Shock Hazard.**

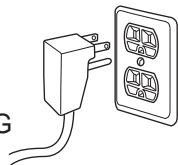
Failure to follow these instructions can result in death, fire, or electrical shock.

The power cord of this appliance is equipped with a 3-prong (grounding) plug which mates with a standard 3-prong (grounding) wall receptacle to minimize the possibility of electric shock hazard from this appliance.

Have the wall outlet and circuit checked by a qualified electrician to make sure the outlet is properly grounded.

Where a standard 2-prong wall outlet is encountered, it is your personal responsibility and obligation to have it replaced with a properly grounded 3-prong wall outlet.

DO NOT, UNDER ANY CIRCUMSTANCES, CUT OR REMOVE THE THIRD (GROUND) PRONG FROM THE POWER CORD.



DO NOT USE AN ADAPTER PLUG TO CONNECT THE REFRIGERATOR TO A 2-PRONG OUTLET.

DO NOT USE AN EXTENSION CORD WITH THIS APPLIANCE.

## MISE À LA TERRE DU RÉFRIGÉRATEUR

**⚠ AVERTISSEMENT**  **Risque de choc électrique.**

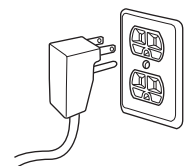
Le non-respect de ces instructions peut entraîner des risques d'incendies, des chocs électriques ou la mort.

Le cordon d'alimentation de cet appareil est équipé d'une fiche à trois broches (pour une mise à la terre) qui s'adapte à la prise de courant standard à 3 broches (pour une mise à la terre) pour minimiser les risques de chocs électriques par cet appareil.

Faites vérifier la prise murale et le circuit électrique par un électricien qualifié pour s'assurer que le système est correctement mis à la terre.

Dans le cas d'une prise biphasée, l'installateur a la responsabilité et l'obligation de la remplacer par une prise triphasée correctement mise à la terre.

NE COUPEZ PAS OU N'ENLEVEZ PAS, SOUS AUCUN PRÉTEXTE, LA TROISIÈME BROCHE DE MISE À LA TERRE DU CORDON D'ALIMENTATION.



N'UTILISEZ PAS D'ADAPTATEUR POUR BRANCHER LE RÉFRIGÉRATEUR À UNE PRISE BIPHASÉE.

N'UTILISEZ PAS DE RALLONGE AVEC CET APPAREIL.

# Installation Instructions - Flush Installation

## STEP 1 REMOVE PACKAGING

### **⚠ WARNING** Tip Over Hazard.

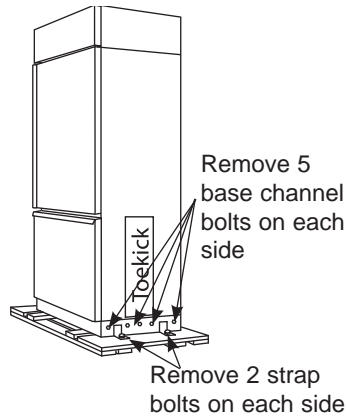
The refrigerator is much heavier at the top than at the bottom—be careful when moving. When using a hand truck, handle from the side only.

### **⚠ AVERTISSEMENT** Risque de

**basculement** Le réfrigérateur est beaucoup plus lourd en haut qu'en bas. Il faut être prudent lors des déplacements. Si un diable est utilisé, il faut soulever le réfrigérateur sur le côté seulement.

- Carefully cut banding at the top and bottom, remove the outer carton.
- Slide out the back corner posts (2).
- Slide the carton off the top of the cabinet.

**NOTE:** IT IS NOT NECESSARY TO LAY THE CABINET DOWN IN ORDER TO REMOVE THE SKID!



- The unit is secured to the skid with 4 slotted tie-down straps. Remove the six 7/16" bolts from the base channels in the tie-downs.
- Remove the six 7/16" bolts securing the straps to the skid.

**NOTE:** DO NOT ATTEMPT TO ROLL UNIT OFF SKID.

- The support blocks on the bottom of the refrigeration case must be removed before the refrigerator is taken off the skid or damage will occur. Carefully tilt the refrigerator and slide the blocks out from beneath.
- Remove the toekick and set aside for final installation.
- Lift the refrigerator off the skid with an appliance dolly. Handle from the sides.

## STEP 2 INSTALL WATER LINE

- A cold water supply is required for automatic icemaker operation. The water pressure must be between 40 and 120 p.s.i.
- Route 1/4" OD copper or SmartConnect™ plastic tubing between house cold water line and the water connection location.
- Tubing should be long enough to extend to the front of the refrigerator. Allow enough tubing to accommodate bend leading into the water line connection.

**NOTE:** The only GE Appliances-approved plastic tubing is supplied in the SmartConnect™ Refrigerator Tubing kits. Do not use any other plastic water supply line because the line is under pressure at all times. Other types of plastic may crack or rupture with age and cause water damage to your home.

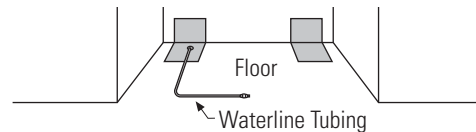
SmartConnect™ Refrigerator Tubing Kits are available in the following lengths:

- 2' (.6 m) WX08X10002
- 8' (2.4 m) WX08X10006
- 15' (4.6 m) WX08X1 0015
- 25' (7.6 m) WX08X10025

### **Shut off the main water supply.**

Turn on the nearest faucet long enough to clear the line of water.

- Install a shut-off valve between the icemaker water valve and cold water pipe in a basement or cabinet. The shut-off valve should be located where it will be easily accessible.



- Turn on the main water supply and flush debris. Run about a quart of water through the tubing into a bucket. Shut off water supply at the shut-off valve.

**NOTE:** Saddle type shut-off valves are included in many water supply kits, but are not recommended for this application.

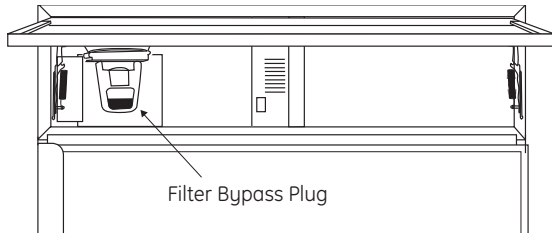
**NOTE:** Commonwealth of Massachusetts Plumbing Codes 248CMR shall be adhered to. Saddle valves are illegal and use is not permitted in Massachusetts. Consult with your licensed plumber.

# Installation Instructions - Flush Installation

## STEP 2A WATER LINE INSTALLATION WITH A REVERSE OSMOSIS SYSTEM

### Skip this step when not using an RO System

If the water supply to the refrigerator is from a Reverse Osmosis Water System, use the refrigerator's filter bypass plug. Using the refrigerator's water filtration cartridge with the RO filter can result in hollow ice cubes.



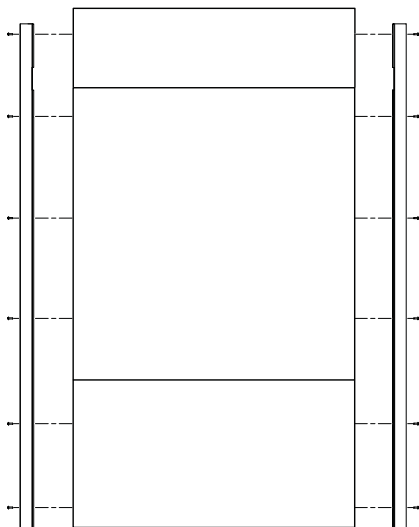
## STEP 3 INSTALL SIDE PANELS

Skip this step when not using side panels.

If you are using 1/4" side panels, they should be inserted into the case trim. Fasten the panels to the refrigerator with stick-on hook and loop fastener strips before setting refrigerator in place.

## STEP 4 INSTALL CASE TRIM

The unit arrives with case trim for standard installation attached. Flush installation case trim is provided. Remove the factory installed case trim. Install new case trim using supplied right hand and left hand case trim pieces and case trim screws. Attach case trim to each side of case as shown in illustration using case trim screws in holes provided down each side of the case.



## STEP 5 ANIT-TIP PROCEDURE

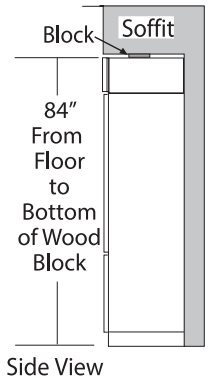
### ⚠ WARNING Tip Over Hazard.

These refrigerators are top heavy, especially with any doors open, and must be secured to prevent tipping forward which could result in death or serious injury. Read and follow the entire installation instructions for securing the refrigerator with the anti-tip system.

### ⚠ AVERTISSEMENT Risque de basculement

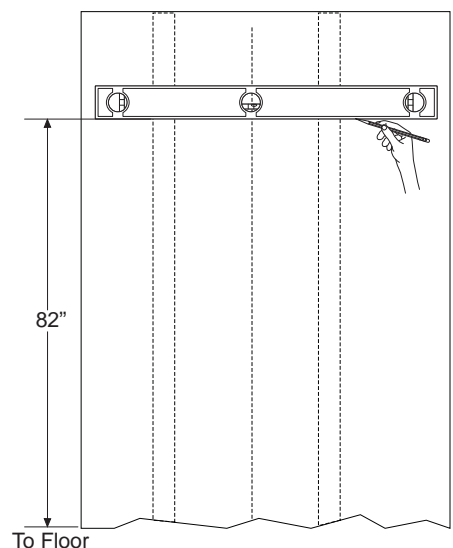
Ces réfrigérateurs présentent une partie supérieure lourde, en particulier avec une porte ouverte; ils doivent donc être fixés pour prévenir le basculement vers l'avant et le risque concomitant de blessure grave ou fatale. Lisez et suivez les instructions d'installation complètes pour l'installation du système anti-basculement.

- Cut a 1" x 4" block, 35" long.
- Measure and mark under the soffit, 5-1/4" from the front edge of the cabinet.
- Secure the wood block to under the soffit. From the bottom of the block to the finished floor should measure 84". See the illustration.



- The kit supplied with the unit contains 2 lag bolts and 4 toggles with bolts. The wall bracket will be attached to the wall in 4 places.

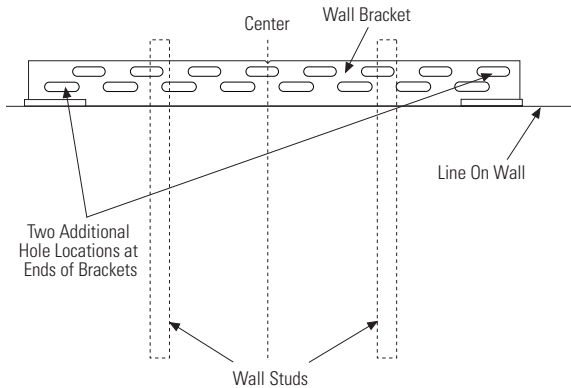
- Measure the opening where the unit is to be installed. Mark the center with a vertical line.
- Measure up 82" from the floor. Mark this point on the wall.
- Using a level, draw a horizontal line on the wall at this height.



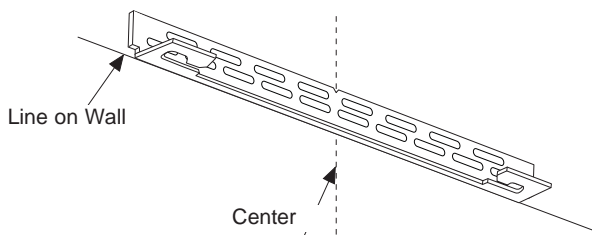
# Installation Instructions - Flush Installation

## STEP 5 INSTALL ANTI-TIP BRACKET (cont.)

- Locate at least 2 studs on the back wall. Mark these points on the horizontal line.
- Place the bottom of the wall bracket with tabs on the horizontal line. Align the center notch on the bracket with the center line on the wall.
- The anti-tip wall bracket has a series of holes. Select 2 holes that match with the located studs. Make sure the holes selected are on the center of the studs. Mark the wall at these points.



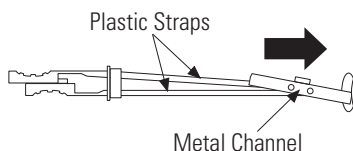
- Mark an additional hole at each end of the bracket. If one of the studs is closer to the end of the bracket, mark an additional hole towards the center of the bracket.
- Drill 1/2" holes into the wall board at the locations marked for the toggles to be mounted (not the stud markings).
- Drill 3/16" holes into wooden studs where marked. If steel stud construction, drill 1/2" holes into the studs where marked. You will use 2 toggles with the metal studs.



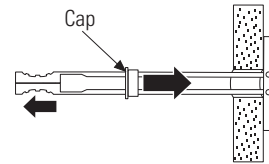
### Install Wall Toggles:

The wall toggles and bolts can be ordered as Service Kit #WR49X10193. Wall toggles are installed in the drywall and metal studs for stability. Install the wall toggles as follows:

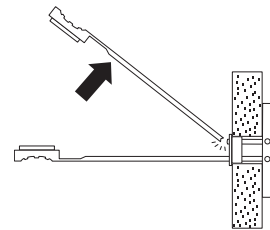
- Drill 1/2" holes at the wall markings made in the holes at the ends of the wall bracket.
- Hold the metal channel flat against the plastic straps and slide the channel through the hole.



- Gently pull back at the ends of the plastic straps to make the channel rest flush behind the wall.
- Hold the ends of the straps in one hand and slide the plastic cap along the straps until the flange of the cap is flush with the wall.

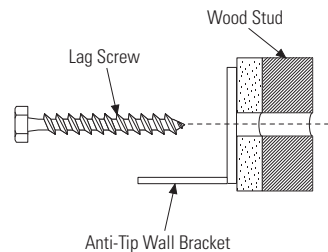


- Place your thumb between the plastic straps and bend up and down to snap the straps off at the wall.

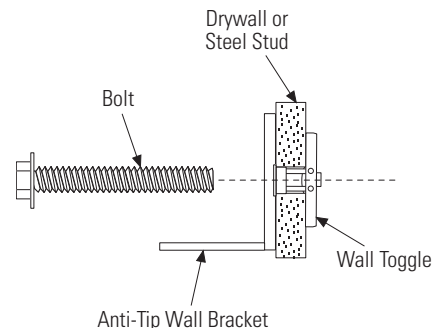


### Install Screws and Bolts:

- Have someone hold the wall bracket centered in place with each of the holes aligned with the correct opening in the bracket and level with the horizontal line.
- Insert the lag screws through the bracket and into the stud. Tighten with a wrench.



- Insert the bolts into the toggle by hand until snug. Tighten with a wrench.



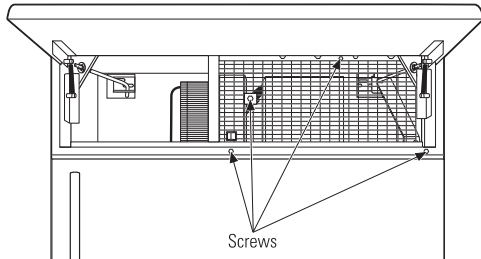
# Installation Instructions - Flush Installation

## STEP 5 INSTALL ANTI-TIP BRACKET (cont.)

Remove Grilles for Access to Anti-Tip Locking Hooks

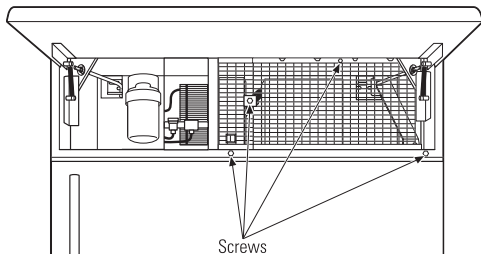
### Fresh Food Unit

- Open the access door.
- Remove the 4 screws from the grille.
- Pull the bottom of the grille forward, down and out to remove.



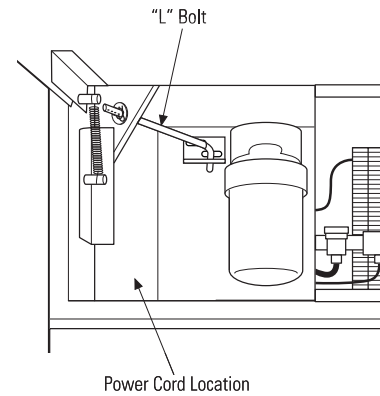
### Freezer Unit

- Open the access door.
- Remove the 4 screws from the grille.
- Pull the bottom of the grille forward, down and out to remove.



### Power Cord

Locate the power cord inside the left cavity. If it has not been adjusted so the plug is easily accessible, do so now.



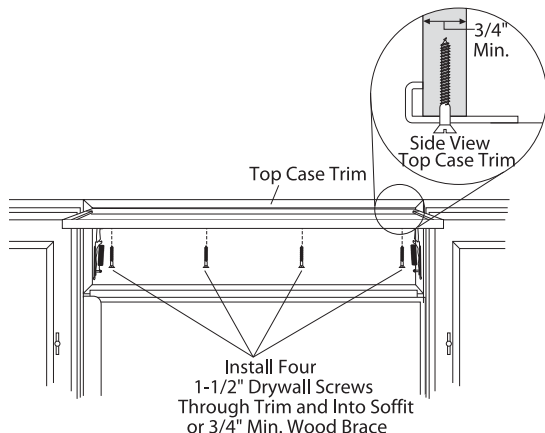
### Move Unit into Final Position

- Move appliance toward its final installed location. Align the tabs on the wall bracket with the openings in the back of the unit.
- The unit has "L" bolts in the upper left and right corners inside of the access compartment. These bolts will interlock with the wall bracket and secure the unit using the washers and hair pin cotters in the hardware kit once the unit has been leveled and is in the final position.

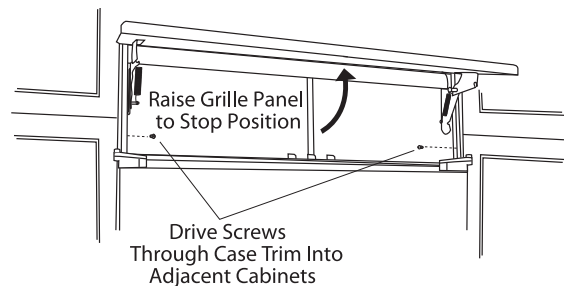
## STEP 6 ALTERNATE ANTI-TIP PROCEDURE

The refrigerator must be secured to prevent tipping. If the anti-tip bracket cannot be used, this alternate method can be used to prevent the unit from tipping.

- Raise the grille panel to access case trim.
- Use a 3/16" bit to drill four evenly spaced clearance holes through the metal top case trim.



- Use a 1/16" bit to drill to pilot holes through the metal clearance holes and into the wood soffit. The holes should be centered in the soffit or a 3/4" min. wood brace. The brace spanning the enclosure must be securely fastened to cabinets on both sides.
- Install four, 1-1/2" drywall screws into the pilot holes.
- If no soffit above the unit, drill screws into adjacent cabinets through the side case trim.



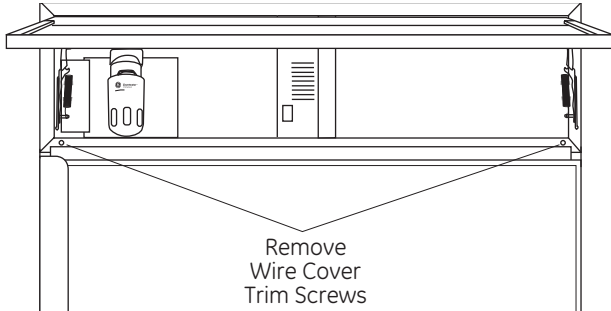


# Installation Instructions - Flush Installation

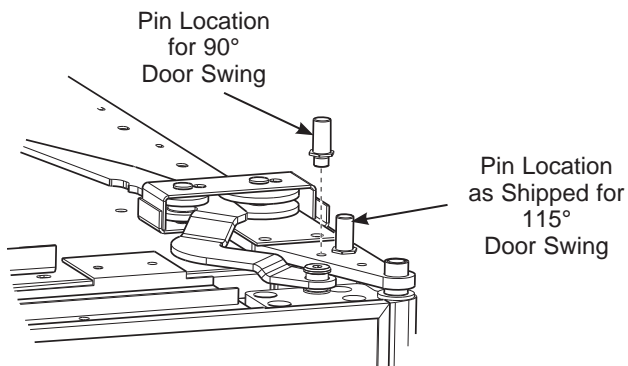
## STEP 7 ADJUST DOOR SWING

**NOTE:** This refrigerator has a 3-position door stop. When space does not allow the door to swing open fully to 115°, you may change the door swing to a 90° opening. **Skip this step if door opening is satisfactory for your installation situation.**

- Lift the grille panel to access the wire cover trim.
- Remove screws on both sides of the wire cover trim and rotate off.



- Use pliers to unscrew door stop and reinstall into the 90° or 130° (standard only) position.



- Reinstall the wire cover trim.

### ⚠ WARNING

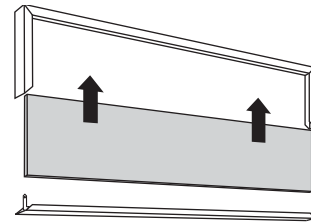
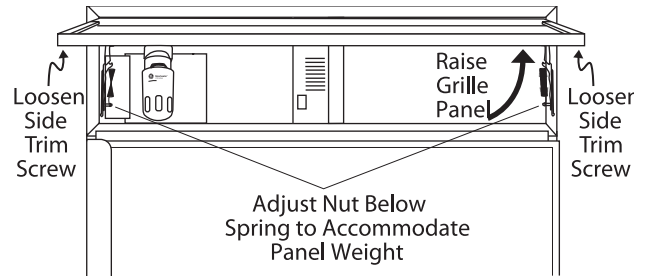


#### Door Trim Pinch Point Hazard

Improper installation can lead to a finger pinch point hazard between the side door trim and the cabinets when operating the door, especially with children. To minimize this risk you must follow the installation instructions for cabinet dimensions, trim assembly, and door stop angle.

## STEP 8 INSTALL GRILLE PANEL

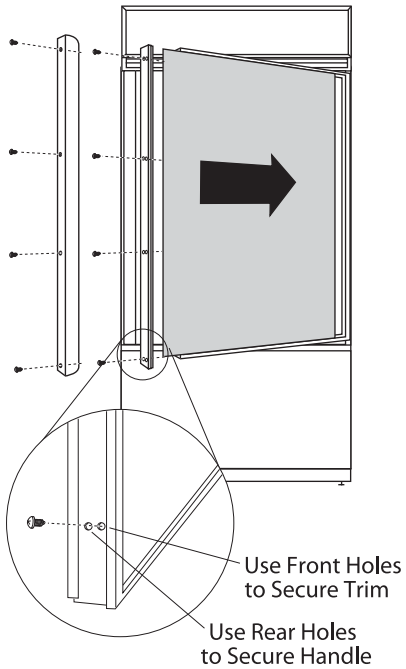
- Raise the grille panel to stop position.



- Loose screws on side trim behind frame. Remove bottom trim.
- Slide panel over the metal backer panel and into the trim.
- If necessary, tap with a wood block until panel slips under the top trim piece.
- Reassemble bottom trim. Tighten screws.

# Installation Instructions - Flush Installation

## STEP 9 INSTALL DOOR PANELS

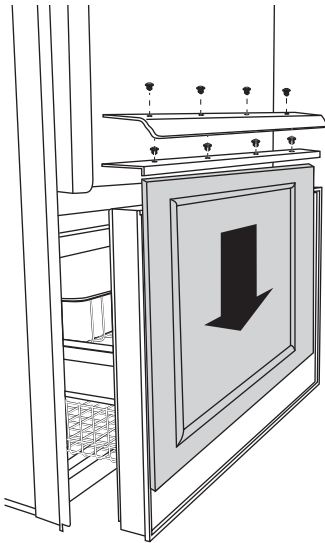


### Install door panel:

- Open door to 90°. Remove the 4 Phillips head screws from the door handle.
- Remove the handle. Retain all screws.
- Remove the 4 screws holding the trim, then lift off the trim. Retain the screws.

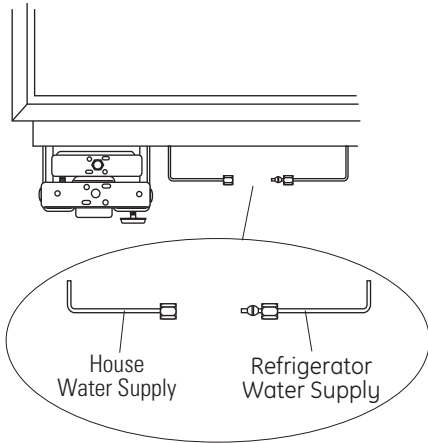
### Custom Handles

- Custom handles must be used for flush installation. The handle must be properly secured to the overlay panel before sliding the panel into the trim.
- The cabinet manufacturer will supply the custom handle and hardware.
- Discard the supplied handle.
- Slide the overlay panel into the door trim.
- Reinstall trim by securing with all 8 screws retained in previous steps.
- Follow the same procedures to install the drawer panel.



# Installation Instructions - Flush Installation

## STEP 10 CONNECT WATER SUPPLY



- Locate and bring tubing to the front of the cabinet.
- Turn the water on to flush debris from line. Run about a quart of water through tubing into a bucket, then shut off water.

### Copper Tubing:

- Slip a 1/4" nut and ferrule (provided) over both ends of the copper tubing. Insert tube into the union fitting on the unit and tighten nut to union.
- Turn on the water to check for leaks.

### SmartConnect™ Tubing:

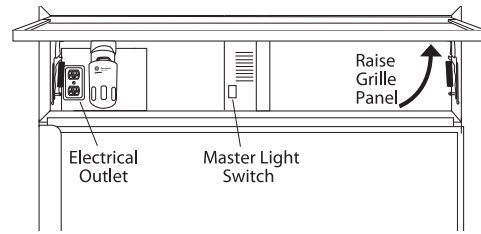
**NOTE:** The only GE Appliances-approved plastic tubing is supplied in the SmartConnect™ Refrigerator Tubing kits. Do not use any other plastic water supply line because the line is under pressure at all times. Other types of plastic may crack or rupture with age and cause water damage to your home.

- Insert the molded end of the tubing into the refrigerator connection. Tighten the compression nut until it is just hand tight.
- Tighten one additional turn with a wrench. Overtightening can cause leaks!
- Turn on the water to check for leaks.

**Note:** Make sure excess tubing length does not interfere with drawer closing or toekick installation.

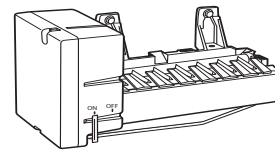
## STEP 11 CONNECT POWER

- Check to be sure the power cord is plugged into the receptacle.



- Check to make sure power to refrigerator is on by opening refrigerator door to see if interior lights are on.
- The temperature controls are preset at 37°F for the fresh food section and 0°F for the freezer.
- Allow 24 hours to stabilize before making adjustments.

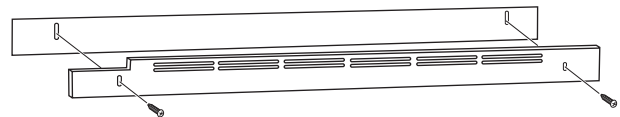
## STEP 12 START ICEMAKER



- The icemaker will begin operation automatically.
- Be sure nothing interferes with the sweep of the feeler arm.
- Discard the first full bucket of ice cubes.
- To turn the icemaker off, set the switch to O (OFF).

## STEP 13 INSTALL TOEKICK

- Locate the supplied toekicks (shipped taped to the side of the refrigerator).
- The wider set of toe kicks will be used for flush installation. You can discard the other set of toe kicks.
- Attach the toekick assembly to the refrigerator using the supplied screws (2).
- A custom toekick can be installed to match or complement the surrounding cabinetry. Use the supplied toekick as a template to cut the shape.

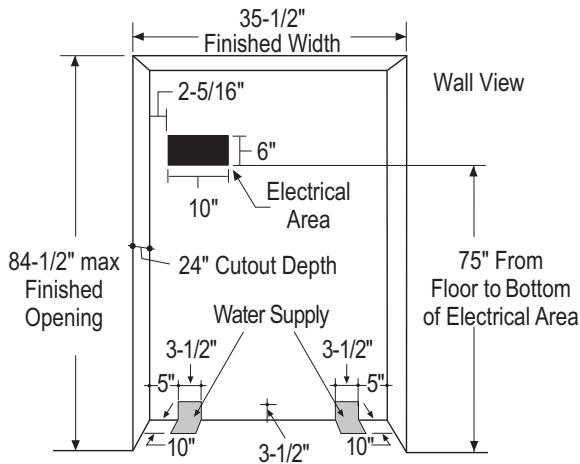


**IMPORTANT:** A custom toekick can be installed to match or complement the surrounding cabinetry but can NOT cover the horizontal vent slots of the factory toe kick.

# **Instructions for Stainless Steel Installation**

# Design Guide - Stainless Steel Installation

## THE INSTALLATION SPACE



### Water And Electrical Locations

Electrical and water supply must be located as shown.

### The Cutout Depth Must Be 24"

The refrigerator will project forward, slightly beyond adjacent cabinetry, depending on your installation. Allow minimum 1/8" air gap between case back & wall.

### Cutout depth beneath a soffit:

When installed beneath a soffit, the soffit cannot exceed the 24" installation depth shown. The top case trim overlaps the bottom of the soffit.

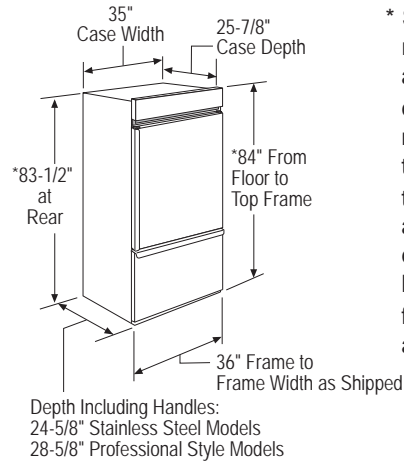
### Additional Specifications

- A 115 volt 60Hz., 15 or 20 amp power supply is required. An individual properly grounded branch circuit or circuit breaker is recommended. Install a properly grounded 3-prong electrical receptacle recessed into the back wall. Electrical must be located on rear wall as shown.

**NOTE:** GFI (ground fault interrupter) is not recommended.

- Water line can enter the opening through the floor or back wall. Route SmartConnect™ kit or 1/4" O.D. copper tubing between the cold water line and the water connection location. The tubing should be long enough to extend to the front of the refrigerator. Installation of an easily accessible shut-off valve in the water line is required.

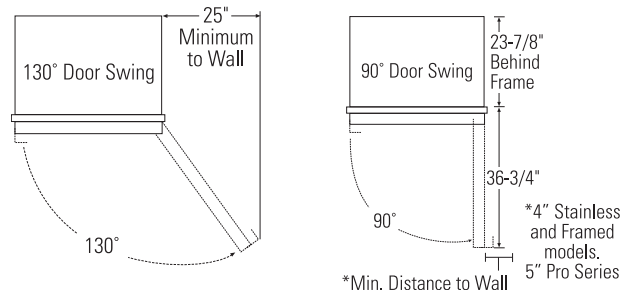
## DIMENSIONS AND CLEARANCES



\* Shipping height. The refrigerator can be adjusted to fit into a cutout that is 84-1/2" max. height. Note that the top case trim at the front is 1/2" higher and will overlap upper cabinetry or soffit. Use leveling legs and wheels for a maximum 1" height adjustment.

### Product Clearances

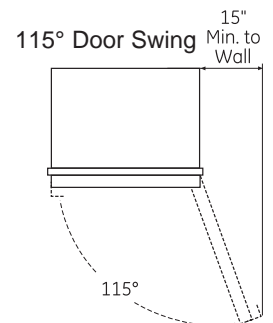
These refrigerators are equipped with a 3-position door stop. The factory set 115° door swing can be adjusted to 90° if clearance to adjacent cabinets or walls is restricted.



Allow 25" minimum clearance for a full 130° door swing. Allow 15" for pan removal.

For a 90° door swing, allow 4" min. clearance to a wall, for framed and stainless steel models. Allow 5" min. clearance for professional style models. If the 90° door stop position is used, pan access is maintained, but pan removal is restricted.

See illustration on page 39 to determine door swing interaction with adjacent cabinets or countertops.



# Design Guide - Stainless Steel Installation

## CUSTOMIZATION BASICS:

### Framed Or Overlay Panels, Custom Handles and Accessory Kits

#### Professional Style Stainless Steel Refrigerators

Stainless steel wrapped refrigerators with beveled edges and professional style handles. These models are shipped ready for installation.

#### Stainless Steel Wrapped Refrigerators

Stainless steel wrapped refrigerators with beveled edges and tubular stainless steel handles that coordinate with other Monogram appliances. These models are shipped ready for installation.

#### Side Panels

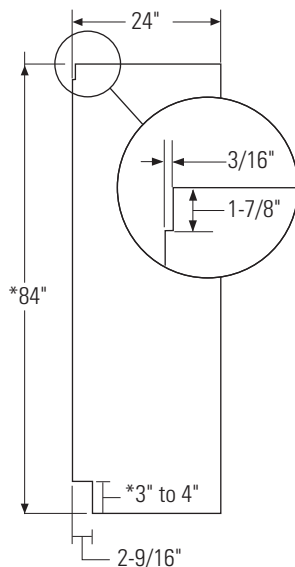
Side panels must be used whenever the sides of the refrigerator will be exposed.

## SIDE PANELS

Side panels must be used whenever the sides of the refrigerator will be exposed. The 1/4" side panels will slip into the side case trim. Secure the panels to the refrigerator with stick-on hook and loop fastener strips. Order the side panels from the cabinet manufacturer.

- Cut a notch in the top front corner as shown to allow clearance for corner keys in the front side trim.

\* Depending on installation height.



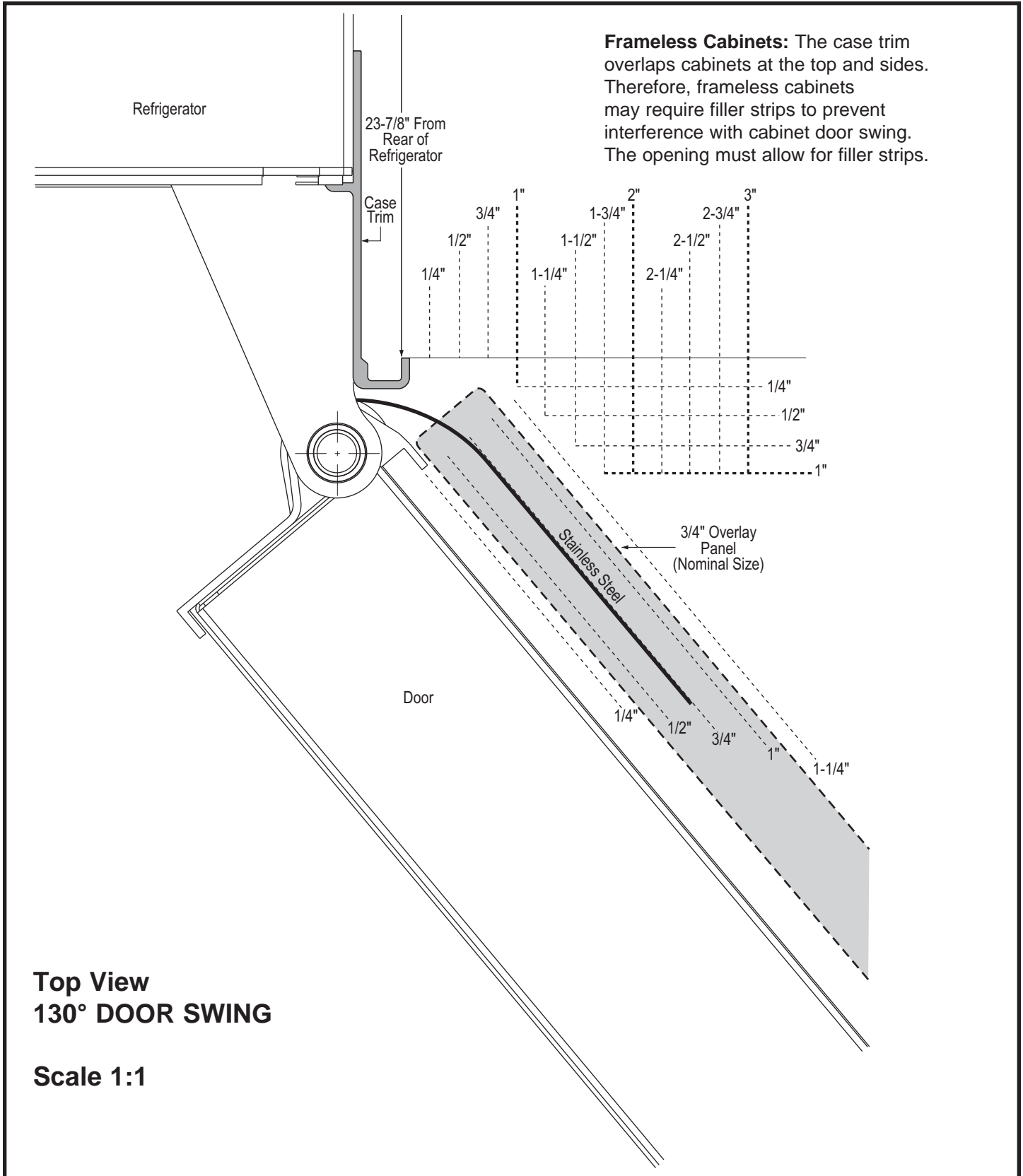
## OPTIONAL ACCESSORY KITS

- ZUGPP2: For side-by-side installation of two professional-style bottom-freezer refrigerators. This kit provides a unified stainless steel grille panel to span the width of two units.
- ZUGSS2: For side-by-side installation of two stainless steel wrapped bottom-freezer refrigerators. This kit provides a unified stainless steel grille panel to span the width of two units.

## REFRIGERATOR LOCATION

- Do not install the refrigerator where the temperature will go below 55°F (13°C). It will not run often enough to maintain proper temperatures.
- Do not install the refrigerator where temperatures will go above 100°F (37°C). It will not perform properly.
- Do not install the refrigerator in a location exposed to water (rain, etc.) or direct sunlight.
- Install it on a floor strong enough to support it fully loaded.

# Design Guide - Stainless Steel Installation



# Installation Instructions - Stainless Steel Installation

## TOOLS REQUIRED

- Tinsnips to cut banding
- Stepladder
- Bucket
- Level
- Appliance Hand Truck
- Tubing cutter
- 7/16" open-end wrench
- #2 Phillips screwdriver
- Drill and appropriate bits
- 5/16", 7/16" socket
- Safety glasses
- 1-1/4" open end wrench
- Pliers
- 1/4" ratchet

## HARDWARE SUPPLIED

- Water filter bypass plug
- Anti-Tip brackets
- 1/4" nut and ferrule

## MATERIALS REQUIRED

- 35" long 2x4 for Anti-Tip support
- 1/4" copper water line tubing or SmartConnect™ Refrigerator Tubing kits
- Water shut-off valve
- Custom panels for fresh food door, freezer drawer and grille panel
- Screws to secure refrigerator to cabinetry.
- Stick-on hook and loop fastener strips for 1/4" side panels

## FLOORING

For proper installation, this refrigerator must be placed on a level surface of hard material that is at the same height as the rest of the flooring. This surface should be strong enough to support a fully loaded refrigerator, or approximately 1,200 lbs.

**NOTE:** Protect the finish of the flooring. Cut a large section of the cardboard carton and place under the refrigerator where you are working.

## GROUNDING THE REFRIGERATOR

**⚠ WARNING**  **Electrical Shock Hazard.**

Failure to follow these instructions can result in death, fire, or electrical shock.

The power cord of this appliance is equipped with a 3-prong (grounding) plug which mates with a standard 3-prong (grounding) wall receptacle to minimize the possibility of electric shock hazard from this appliance.

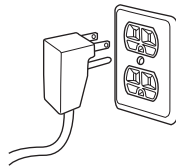
Have the wall outlet and circuit checked by a qualified electrician to make sure the outlet is properly grounded.

Where a standard 2-prong wall outlet is encountered, it is your personal responsibility and obligation to have it replaced with a properly grounded 3-prong wall outlet.

DO NOT, UNDER ANY CIRCUMSTANCES, CUT OR REMOVE THE THIRD (GROUND) PRONG FROM THE POWER CORD.

DO NOT USE AN ADAPTER PLUG TO CONNECT THE REFRIGERATOR TO A 2-PRONG OUTLET.

DO NOT USE AN EXTENSION CORD WITH THIS APPLIANCE.



## MISE À LA TERRE DU RÉFRIGÉRATEUR

**⚠ AVERTISSEMENT**  **Risque de choc électrique.**

Le non-respect de ces instructions peut entraîner des risques d'incendies, des chocs électriques ou la mort.

Le cordon d'alimentation de cet appareil est équipé d'une fiche à trois broches (pour une mise à la terre) qui s'adapte à la prise de courant standard à 3 broches (pour une mise à la terre) pour minimiser les risques de chocs électriques par cet appareil.

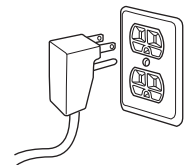
Faites vérifier la prise murale et le circuit électrique par un électricien qualifié pour s'assurer que le système est correctement mis à la terre.

Dans le cas d'une prise biphasée, l'installateur a la responsabilité et l'obligation de la remplacer par une prise triphasée correctement mise à la terre.

NE COUPEZ PAS OU N'ENLEVEZ PAS, SOUS AUCUN PRÉTEXTE, LA TROISIÈME BROCHE DE MISE À LA TERRE DU CORDON D'ALIMENTATION.

N'UTILISEZ PAS D'ADAPTATEUR POUR BRANCHER LE RÉFRIGÉRATEUR À UNE PRISE BIPHASÉE.

N'UTILISEZ PAS DE RALLONGE AVEC CET APPAREIL.





# Installation Instructions - Stainless Steel Installation

## STEP 1 REMOVE PACKAGING

### **⚠ WARNING** Tip Over Hazard.

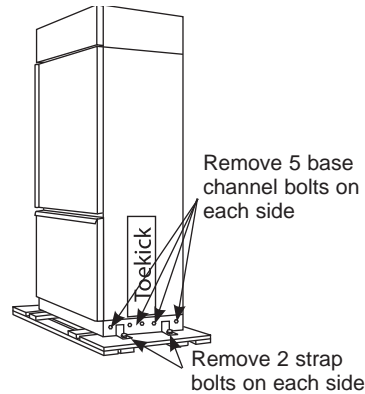
The refrigerator is much heavier at the top than at the bottom—be careful when moving. When using a hand truck, handle from the side only.

### **⚠ AVERTISSEMENT** Risque de

**basculement** Le réfrigérateur est beaucoup plus lourd en haut qu'en bas. Il faut être prudent lors des déplacements. Si un diable est utilisé, il faut soulever le réfrigérateur sur le côté seulement.

- Carefully cut banding at the top and bottom, remove the outer carton.
- Slide out the back corner posts (2).
- Slide the carton off the top of the cabinet.

**NOTE:** IT IS NOT NECESSARY TO LAY THE CABINET DOWN IN ORDER TO REMOVE THE SKID!



- The unit is secured to the skid with 4 slotted tie-down straps. Remove the six 7/16" bolts from the base channels in the tie-downs.
- Remove the six 7/16" bolts securing the straps to the skid.

**NOTE:** DO NOT ATTEMPT TO ROLL UNIT OFF SKID.

- The support blocks on the bottom of the refrigeration case must be removed

before the refrigerator is taken off the skid or damage will occur. Carefully tilt the refrigerator and slide the blocks out from beneath.

- Remove the toekick and set aside for final installation.
- Lift the refrigerator off the skid with an appliance dolly. Handle from the sides.

## STEP 2 INSTALL WATER LINE

- A cold water supply is required for automatic icemaker operation. The water pressure must be between 40 and 120 p.s.i.
- Route 1/4" OD copper or SmartConnect™ plastic tubing between house cold water line and the water connection location.
- Tubing should be long enough to extend to the front of the refrigerator. Allow enough tubing to accommodate bend leading into the water line connection.

**NOTE:** The only GE Appliances-approved plastic tubing is supplied in the SmartConnect™ Refrigerator Tubing kits. Do not use any other plastic water supply line because the line is under pressure at all times. Other types of plastic may crack or rupture with age and cause water damage to your home.

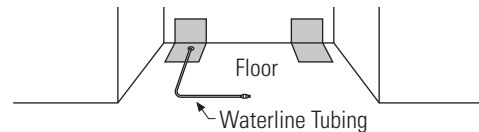
SmartConnect™ Refrigerator Tubing Kits are available in the following lengths:

- 2' (.6 m) WX08X10002
- 8' (2.4 m) WX08X10006
- 15' (4.6 m) WX08X1 0015
- 25' (7.6 m) WX08X10025

### **Shut off the main water supply.**

Turn on the nearest faucet long enough to clear the line of water.

- Install a shut-off valve between the icemaker water valve and cold water pipe in a basement or cabinet. The shut-off valve should be located where it will be easily accessible.



- Turn on the main water supply and flush debris. Run about a quart of water through the tubing into a bucket. Shut off water supply at the shut-off valve.

**NOTE:** Saddle type shut-off valves are included in many water supply kits, but are not recommended for this application.

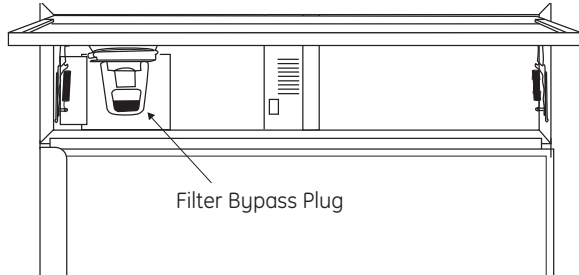
**NOTE:** Commonwealth of Massachusetts Plumbing Codes 248CMR shall be adhered to. Saddle valves are illegal and use is not permitted in Massachusetts. Consult with your licensed plumber.

# Installation Instructions - Stainless Steel Installation

## STEP 2A WATER LINE INSTALLATION WITH A REVERSE OSMOSIS SYSTEM

Skip this step when not using an RO System

If the water supply to the refrigerator is from a Reverse Osmosis Water System, use the refrigerator's filter bypass plug. Using the refrigerator's water filtration cartridge with the RO filter can result in hollow ice cubes.



## STEP 3 INSTALL SIDE PANELS

Skip this step when not using side panels. If you are using 1/4" side panels, they should be inserted into the case trim. Fasten the panels to the refrigerator with stick-on hook and loop fastener strips before setting refrigerator in place.

## STEP 4 ANIT-TIP PROCEDURE

### ⚠ WARNING



Tip Over Hazard.

These refrigerators are top heavy, especially with any doors open, and must be secured to prevent tipping forward which could result in death or serious injury. Read and follow the entire installation instructions for securing the refrigerator with the anti-tip system.

### ⚠ AVERTISSEMENT

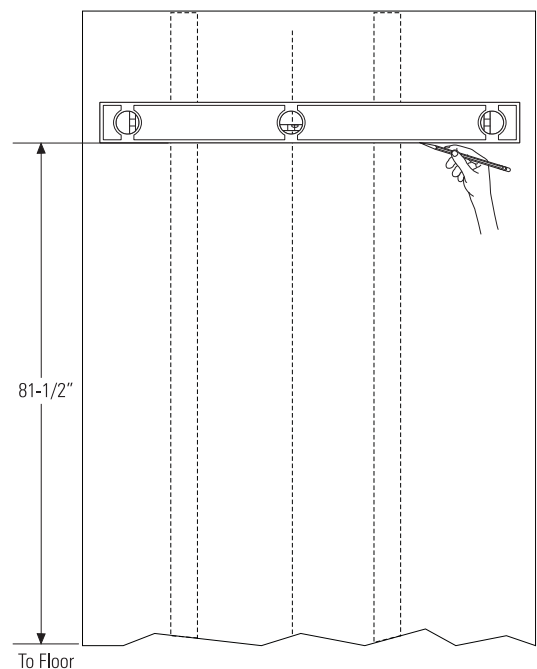


Risque de

### basculement

Ces réfrigérateurs présentent une partie supérieure lourde, en particulier avec une porte ouverte; ils doivent donc être fixés pour prévenir le basculement vers l'avant et le risque concomitant de blessure grave ou fatale. Lisez et suivez les instructions d'installation complètes pour l'installation du système anti-basculement.

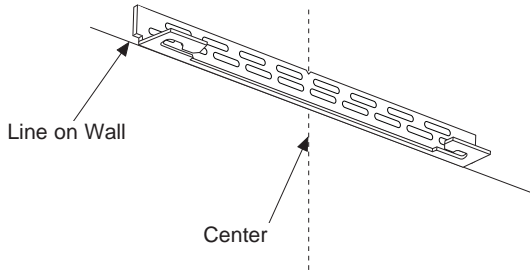
- The kit supplied with the unit contains 2 lag bolts and 4 toggles with bolts. The wall bracket will be attached to the wall in 4 places.
- Measure the opening where the unit is to be installed. Mark the center with a vertical line.
- Measure up 81 1/2" from the floor. Mark this point on the wall.
- Using a level, draw a horizontal line on the wall at this height.
- Locate at least 2 studs on the back wall. Mark these points on the horizontal line.



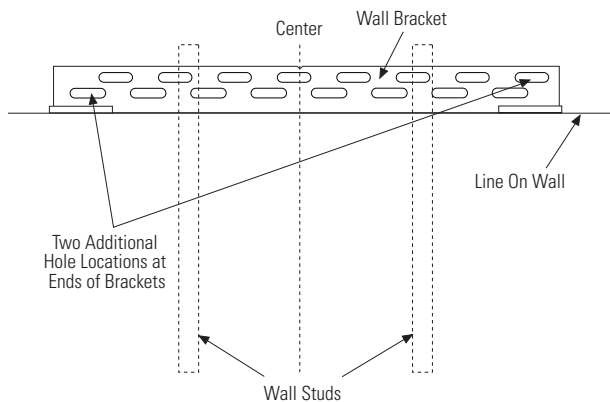
# Installation Instructions - Stainless Steel Installation

## STEP 4 ANIT-TIP PROCEDURE (CONT)

- Place the bottom of the wall bracket with tabs on the horizontal line. Align the center notch on the bracket with the center line on the wall.



- The anti-tip wall bracket has a series of holes. Select 2 holes that match with the located studs. Make sure the holes selected are on the center of the studs. Mark the wall at these points.
- Mark an additional hole at each end of the bracket. If one of the studs is closer to the end of the bracket, mark an additional hole towards the center of the bracket.



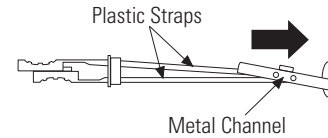
- Drill 1/2" holes into the wall board at the locations marked for the toggles to be mounted (not the stud markings).
- Drill 3/16" holes into wooden studs where marked. If steel stud construction, drill 1/2" holes into the studs where marked. You will use 2 toggles with the metal studs.

### Install Wall Toggles:

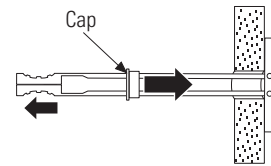
The wall toggles and bolts can be ordered as Service Kit #WR49X10193. Wall toggles are installed in the drywall and metal studs for stability. Install the wall toggles as follows:

- Drill 1/2" holes at the wall markings made in the holes at the ends of the wall bracket.

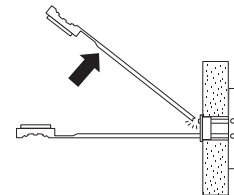
- Hold the metal channel flat against the plastic straps and slide the channel through the hole.



- Gently pull back at the ends of the plastic straps to make the channel rest flush behind the wall.
- Hold the ends of the straps in one hand and slide the plastic cap along the straps until the flange of the cap is flush with the wall.

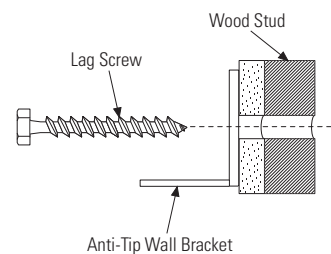


- Place your thumb between the plastic straps and bend up and down to snap the straps off at the wall.

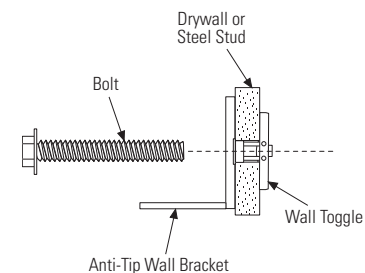


### Install Screws and Bolts:

- Have someone hold the wall bracket centered in place with each of the holes aligned with the correct opening in the bracket and level with the horizontal line.
- Insert the lag screws through the bracket and into the stud. Tighten with a wrench.



- Insert the bolts into the toggle by hand until snug. Tighten with a wrench.



# Installation Instructions - Stainless Steel Installation

## STEP 4 ANIT-TIP PROCEDURE (CONT)

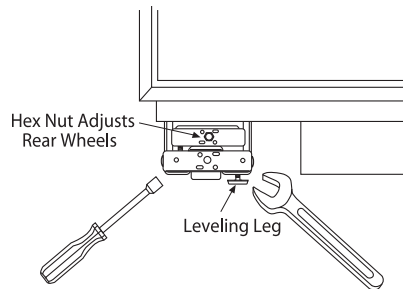
### Connect Power Cord:

- Before pushing the refrigerator into the opening, plug the power cord into the receptacle. Open the grille panel and reach into the opening at the back to grasp the power cord. Pull the power cord into the opening as you push the refrigerator back.
- Gently push refrigerator into the opening with hands against front corners.

## STEP 5 LEVEL REFRIGERATOR

All models have 4-point leveling. The front is supported by leveling legs, the rear is supported by adjustable wheels. Both are accessible from the front of the refrigerator.

- To level the back of the refrigerator, turn the 7/16" hex nut located above the rear wheels. Turn clockwise to raise or counterclockwise to lower the refrigerator.
- For front leveling, use a 1-1/4" open-end wrench.
- Adjust height of refrigerator to match installation cutout opening 83-1/2 to 84-1/2". The refrigerator should be level and plumb with cabinetry.



### CAUTION

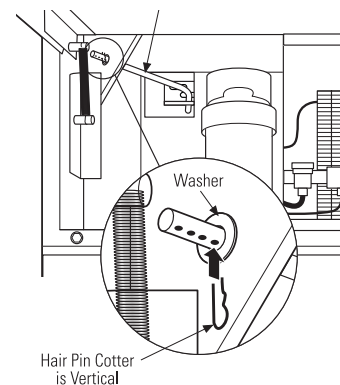
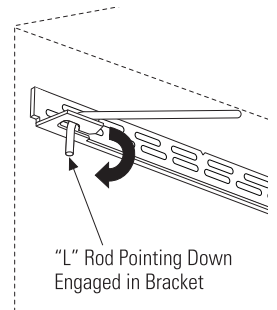
The rear leveling wheels and front leveling legs are limited to a maximum height adjustment of 1". If the installation requires more than 84-1/2" height, the installer should elevate the refrigerator on a sheet of plywood or runners. Cabinetry trim could also be added across the top of the opening to shorten the opening. If you attempt to raise the refrigerator more than 1", you will damage the front leveling legs and the rear leveling wheels.

### ATTENTION

Les roues de nivellement arrière et les pattes de nivellement avant permettent un réglage maximal de 25 mm (1 po). Si l'ouverture pour le réfrigérateur a une hauteur supérieure à 2,15 m (84-1/2 po), l'installateur doit élever le réfrigérateur sur une feuille de contre-plaqué ou des glissières. Il est également possible d'ajouter des baguettes de finition des placards sur le haut de l'ouverture afin de la réduire. Lever le réfrigérateur de plus de 25 mm (1 po) endommage les pattes de nivellement avant et les roues de nivellement arrière.

## STEP 6 SECURE UNIT TO WALL

- The "L" rod can be found in the upper left corner of the unit in the access compartment. Look through the access compartment to make sure the rod lines up with the anti-tip bracket.
- There are 2 washers and a hair pin cotter with the rod. Remove the washers and hair pin cotter from the end of the rod.
- Rotate and move the "L" rod into the slot in the anti-tip bracket tab. Once it is in the slot, rotate the "L" rod so the hook portion is pointing down. The holes at the front end of the rod should be in a vertical position.
- Pull out on the end of the rod to make sure it is secure in the bracket.
- Locate the hole on the rod that is closest to the unit. A hair pin cotter will be put through this hole to secure the rod. If this hole appears to be too far away for a snug fit against the unit, add the washers one at a time until the pin will fit tightly into the hole.
- Align the straight section of the pin with the hole from the underside of the rod. Push the pin up until it snaps into position. Pliers may be used. **NOTE:** The hair pin cotter must be vertical when this step is completed to ensure the "L" rod is engaged in the bracket.
- Check the rod for tightness by pulling forward. If the rod moves, remove the hair pin cotter and place another washer on the rod. Reinsert the pin.

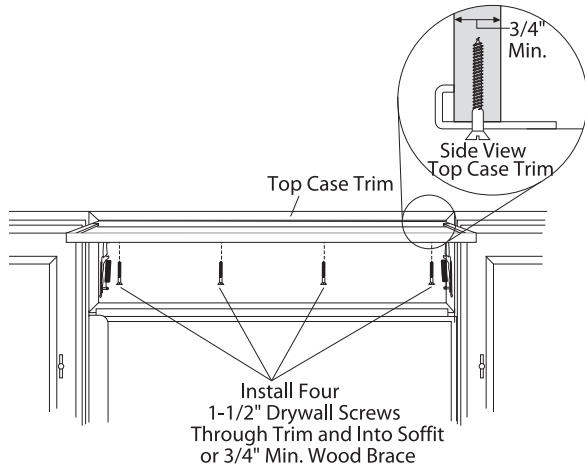


# Installation Instructions - Stainless Steel Installation

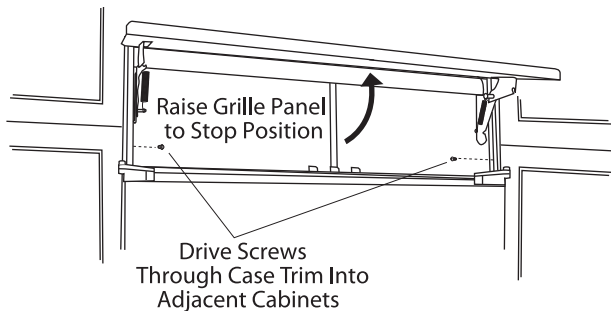
## STEP 7 ALTERNATE ANTI-TIP PROCEDURE

The refrigerator must be secured to prevent tipping. When the anti-tip bracket cannot be used, this alternate method can be used to prevent the refrigerator from tipping.

- Raise the grille panel to access case trim.
- Use a 3/16" bit to drill four evenly spaced clearance holes through the metal top case trim.



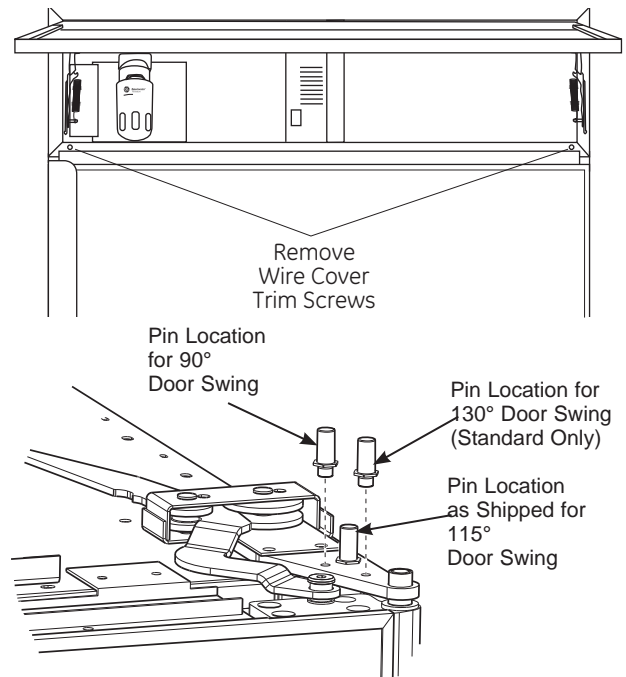
- Use a 1/16" bit to drill pilot holes through the metal clearance holes and into the wood soffit. The holes should be centered in the soffit or a 3/4" min. wood brace. The brace spanning the enclosure must be securely fastened to cabinets on both sides.
- Install four, 1-1/2" drywall screws into the pilot holes.
- If no soffit above the unit, drill screws into adjacent cabinets through the side case trim.



## STEP 8 ADJUST DOOR SWING

**NOTE:** This refrigerator has a 3-position door stop. When space does not allow the door to swing open fully to 115°, you may change the door swing to a 90° opening. A 130° door swing is available for standard installation only. If used for flush installation, damage will occur to wood panels. **Skip this step if door opening is satisfactory for your installation situation.**

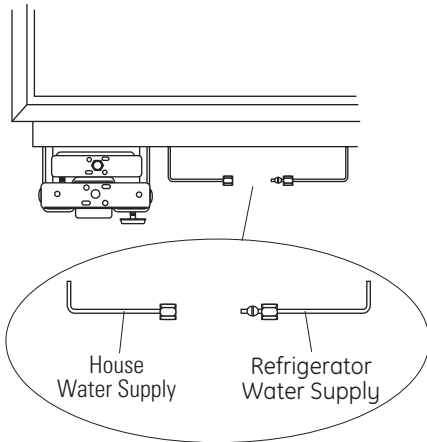
- Lift the grille panel to access the wire cover trim.
- Remove screws on both sides of the wire cover trim and rotate off.
- Use pliers to unscrew door stop and reinstall into the 90° or 130° (standard only) position.



- Reinstall the wire cover trim.

# Installation Instructions - Stainless Steel Installation

## STEP 9 CONNECT WATER SUPPLY



- Locate and bring tubing to the front of the cabinet.
- Turn the water on to flush debris from line. Run about a quart of water through tubing into a bucket, then shut off water.

### Copper Tubing:

- Slip a 1/4" nut and ferrule (provided) over both ends of the copper tubing. Insert tube into the union fitting on the unit and tighten nut to union.
- Turn on the water to check for leaks.

### SmartConnect™ Tubing:

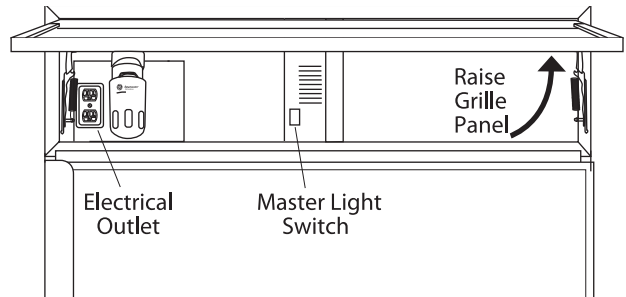
**NOTE:** The only GE Appliances-approved plastic tubing is supplied in the SmartConnect™ Refrigerator Tubing kits. Do not use any other plastic water supply line because the line is under pressure at all times. Other types of plastic may crack or rupture with age and cause water damage to your home.

- Insert the molded end of the tubing into the refrigerator connection. Tighten the compression nut until it is just hand tight.
- Tighten one additional turn with a wrench. Overtightening can cause leaks!
- Turn on the water to check for leaks.

**NOTE:** Make sure excess tubing length does not interfere with drawer closing or toekick installation.

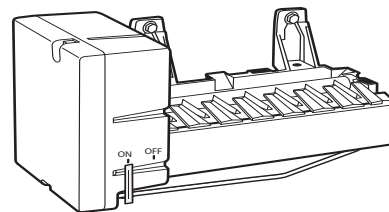
## STEP 10 CONNECT POWER

- Check to be sure the power cord is plugged into the receptacle.



- Check to make sure power to refrigerator is on by opening refrigerator door to see if interior lights are on.
- The temperature controls are preset at 37°F for the fresh food section and 0°F for the freezer.
- Allow 24 hours to stabilize before making adjustments.

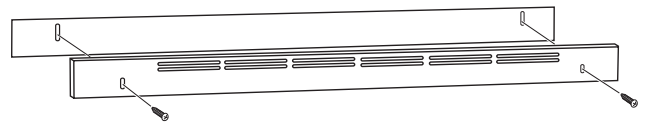
## STEP 11 START ICEMAKER



- The icemaker will begin operation automatically.
- Be sure nothing interferes with the sweep of the feeler arm.
- Discard the first full bucket of ice cubes.
- To turn the icemaker off, set the switch to O (OFF).

## STEP 12 INSTALL TOEKICK

- Locate the supplied toekick (shipped taped to the side of the refrigerator). Install the toekick assembly with the 2 screws provided, adjust to the desired height and tighten the screws.



**IMPORTANT:** A custom toekick can be installed to match or complement the surrounding cabinetry but can NOT cover the horizontal vent slots of the factory toe kick.

# Notes

---

**NOTE:** While performing installations described in this book, safety glasses or goggles should be worn.

**For Monogram® local service in your area, call 1.800.432.2737.**

**NOTE:** Product improvement is a continuing endeavor at General Electric. Therefore, materials, appearance and specifications are subject to change without notice.