



# INSTALLATION INSTRUCTIONS

**with Design Guide**  
**Outdoor/Indoor Refrigerator**

# Safety Information


## BEFORE YOU BEGIN

Read these instructions completely and carefully.

- **IMPORTANT** – Save these instructions for local inspector's use. Observe all governing codes and ordinances.
- **Note to Installer** – Be sure to leave these instructions with the Consumer.
- **Note to Consumer** – Keep these instructions with your Owner's Manual for future reference.

If you received a damaged refrigerator, you should immediately contact your dealer or builder.

**Skill Level** – Installation of this refrigerator requires basic mechanical, carpentry and plumbing skills. Proper installation is the responsibility of the installer. Product failure due to improper installation is not covered under the GE Appliance Warranty. See the Owner's Manual for warranty information.

**⚠ WARNING**  **Explosion Hazard.** Keep flammable materials and vapors, such as gasoline, away from refrigerator. Failure to do so can result in fire, explosion, or death.

**⚠ WARNING** To reduce the risk associated with choking, do not allow children under 3 years of age to have access to small parts during the installation of this product.

For Monogram local service in your area, call 800.444.1845 or visit [monogram.com](http://monogram.com).

For Monogram service in Canada, call 888.880.3030

For Monogram Parts and Accessories, call 800.444.1845 or visit [monogram.com](http://monogram.com).

For Monogram Parts and Accessories in Canada, call 888.880.3030 or visit [monogram.ca](http://monogram.ca).

## CONNECTING ELECTRICITY

**⚠ WARNING**  **Electrical Shock Hazard.**

Plug into a grounded 3-prong outlet.

Do not remove the ground prong.

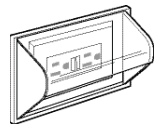
Do not use an adapter.

Do not use an extension cord.

**THIS PRODUCT MUST BE CONNECTED TO A POWER SOURCE WITH GROUND FAULT CIRCUIT INTERRUPT (GFCI) PROTECTION WHEN INSTALLED IN AN OUTDOOR LOCATION. LOCAL CODES MAY**

**REQUIRE A SEPARATE CIRCUIT. IF YOU ARE UNCERTAIN ABOUT THE GFCI PROTECTION ON THE POWER SOURCE TO WHICH YOU ARE CONNECTING THIS APPLIANCE, PLEASE CONTACT A PROFESSIONAL ELECTRICIAN FOR VERIFICATION.**

Failure to follow these instructions can result in death, fire, or electrical shock.



**Do not, under any circumstances, cut or remove the third (ground) prong from the power cord.**

**For personal safety, this appliance must be properly grounded.**

The power cord of this appliance is equipped with a 3-prong (grounding) plug which mates with a standard 3-prong (grounding) wall outlet to minimize the possibility of electric shock hazard from this appliance.

Have the wall outlet and circuit checked by a qualified electrician to make sure the outlet is properly grounded.

Where a standard 2-prong wall outlet is encountered, it is your personal responsibility and obligation to have it replaced with a properly grounded 3-prong wall outlet. Do not use an adapter.

The refrigerator should always be plugged into its own individual electrical outlet which has a voltage rating that matches the rating plate.

A 115 Volt AC, 60 Hz, 15- or 20-amp fused, grounded electrical supply is required. This provides the best performance and also prevents overloading house wiring circuits which could cause a fire hazard from overheated wires.

Never unplug your refrigerator by pulling on the power cord. Always grip plug firmly and pull straight out from the outlet.

Immediately discontinue use of a damaged supply cord. If the supply cord is damaged it must be replaced by a qualified service professional with an authorized service part from the manufacturer.

When moving the refrigerator away from the wall, be careful not to roll over or damage the power cord.



# Consignes de Sécurité

## **⚠ AVERTISSEMENT** Risque d'explosion.

Conservez les matériaux et vapeurs inflammables tels que l'essence à l'écart de votre réfrigérateur. Le non-respect de cette instruction peut entraîner un risque d'incendie, d'explosion ou de décès.

**⚠ AVERTISSEMENT** Pour réduire le risque d'étouffement pendant l'installation de ce produit, ne pas laisser les petites pièces à la portée des enfants âgés de moins de 3 ans.

## BRANCHEMENTS ÉLECTRIQUES

### **⚠ AVERTISSEMENT** Risque d'électrocution.

Branchez l'appareil dans une prise à 3 broches mise à la terre.

N'enlevez pas la broche de mise à la terre.

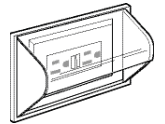
N'utilisez pas un adaptateur.

N'utilisez pas un cordon de rallonge.

**CE PRODUIT DOIT ÊTRE CONNECTÉ À UNE SOURCE D'ALIMENTATION À DISJONCTEUR DE FUITE À LA TERRE, EN CAS D'INSTALLATION EN PLEIN-AIR. LES RÉGLEMENTATIONS LOCALES PEUVENT EXIGER**

**UN CIRCUIT DISTINCT. SI VOUS DOUTEZ DE LA PROTECTION DDFT DE LA SOURCE D'ALIMENTATION ÉLECTRIQUE À LAQUELLE VOUS CONNECTEZ CET APPAREIL, VEUILLEZ COMMUNIQUER AVEC UN ÉLECTRICIEN AGRÉÉ POUR VÉRIFICATION.**

Le non-respect de ces instructions peut entraîner des risques d'incendies, des chocs électriques ou la mort.



**Ne coupez pas ou n'enlevez pas, sous aucun prétexte, la troisième broche de mise à la terre du cordon d'alimentation. Pour des raisons de sécurité, cet appareil doit être correctement mis à la terre.**

Le cordon d'alimentation de cet appareil est équipé d'une fiche à trois broches (pour une mise à la terre) qui s'adapte à la prise de courant standard à 3 broches (pour une mise à la terre) pour minimiser les risques de chocs électriques par cet appareil.

Faites vérifier la prise murale et le circuit électrique par un électricien qualifié pour s'assurer que le système est correctement mis à la terre.

Dans le cas d'une prise biphasée, l'installateur a la responsabilité et l'obligation de la remplacer par une prise triphasée correctement mise à la terre. N'utilisez pas d'adaptateur.

Le réfrigérateur doit toujours être branché à sa propre prise électrique d'une tension nominale correspondant à celle indiquée sur sa plaque signalétique.

Une alimentation électrique à 115 volts CA, 60 Hz, avec un fusible de 15 ou 20 ampères et une mise à la terre est nécessaire. Ceci permet d'obtenir un meilleur rendement et évite de surcharger les circuits électriques du domicile qui risque d'occasionner un incendie en surchauffant.

Ne débranchez jamais le réfrigérateur en tirant sur le cordon d'alimentation. Prenez toujours fermement la fiche en main et tirez pour la sortir de la prise.

Cessez immédiatement l'utilisation d'un cordon électrique endommagé. Si le cordon électrique est endommagé, son remplacement doit être exécuté par un technicien en réparation qualifié au moyen d'un cordon de rechange autorisé par le fabricant.

Lorsque vous éloignez votre réfrigérateur du mur, faites attention à ne pas le faire rouler sur le cordon d'alimentation afin de ne pas l'endommager.



# Important Information

## CONTENTS

### Important Information

Grounding the Product .....	3
Key Ejecting Lock.....	4
Caring for Your Stainless Steel.....	4
Tools, Hardware.....	4

### Design Guide

The Installation Space.....	4
Product Clearances and Location Requirements .....	4

### Preparation for Built-In Under-Counter

Installations Only .....	4
--------------------------	---

### Installation Instructions

Step 1, Remove Packaging.....	6
Step 2, Leveling.....	6
Step 3, Connect Power.....	6
Step 4, Slide Product into Cutout .....	6
Step 5, Set Temperature Controls .....	6
Staining Wood Drawer Fronts .....	7

## KEY EJECTING LOCK

(NOTE: Two keys are included.)

**⚠ CAUTION** To prevent a child from being entrapped, keep the key out of reach of children and away from the appliance. Keep the keys out of reach of children and away from the refrigerator in a safe and secure place.

**⚠ ATTENTION** Pour prévenir l'enfermement des enfants, gardez la clé hors de portée des enfants, à distance du appareil.

The key for the spring-loaded lock is automatically ejected. The key will not remain in the lock while the door is opened or closed.

**NOTICE:** Before closing the door, make sure the lock pin does not protrude beyond the top of the door, to prevent potential damage to the cover or cabinetry.

## CARING FOR YOUR STAINLESS STEEL

• Before installation or first use, we strongly advise you polish the stainless steel exterior and handle with a commercially available stainless steel cleaner such as Stainless Steel Magic™. To preserve and protect the fine finish, we also strongly advise that you apply stainless steel cleaner monthly.

All stainless steel can be damaged by the following substances. Care must be taken not to allow these substances to come in contact with your Outdoor/ Indoor Refrigerator. If any of these do get on your unit, wash and clean the unit immediately (see the Care and Cleaning section in the Owner's Manual).

- Battery Acid
- Pool Chemicals (such as Chlorine and Bromine)
- Lawn Fertilizer
- Ice Melting Salts
- Creosole
- Iodine
- Pickling Juice
- Urine

The following naturally occurring materials can cause damage to the stainless steel finish. If any of these substances do get on your unit, wash and clean the unit immediately (see the Care and Cleaning section in the Owner's Manual).

- Bird Droppings
- Tree Sap
- Sea Water

## TOOLS REQUIRED

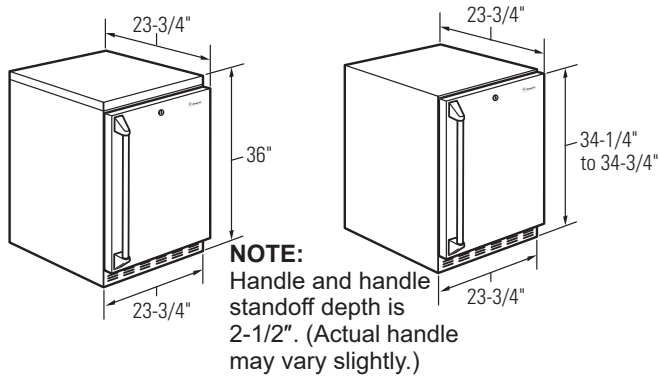
- Heavy-duty work gloves
- #2 Phillips screwdriver (for built-in installations only)
- Adjustable wrench

## PARTS SUPPLIED

- Two keys

# Design Guide

## THE INSTALLATION SPACE



**Free-Standing – Use canopy top**

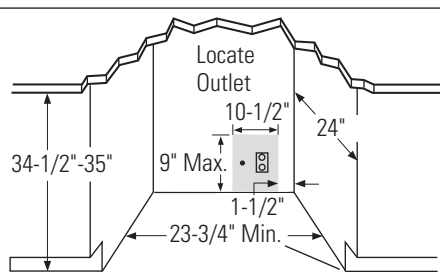
**Built-In – Remove canopy top (if needed)**

### Choose the location:

- This product has been designed as a free-standing unit; however, if desired, it may also be built-in.
- These products may be closed in on the top and three sides as long as the front is unobstructed for air circulation and proper access to the door.
- Do not operate these products where the temperature will go below 45°F (7°C) or above 120°F (49°C).
- Unit must be installed on a structurally sound and level surface strong enough to support a fully loaded refrigerator, or approx. 250 lbs.

### The cutout depth should be 24"

The cutout dimensions shown allow for a full door swing and access to the pull-out racks when installed in standard 24" deep cabinets.



- The Outdoor/Indoor Refrigerator can be used free-standing.
- If installing between frameless cabinets, a 1/2" wide filler strip or side panel may be required on the hinge side. The filler strip will act as a spacer between the case and adjacent cabinet door swing. The width of the opening must include the filler panels.

**NOTE:** In a standard 24" opening, the door will protrude 1-1/2" forward of the surrounding cabinets.

## THE INSTALLATION SPACE (Cont.)

### Additional Specifications

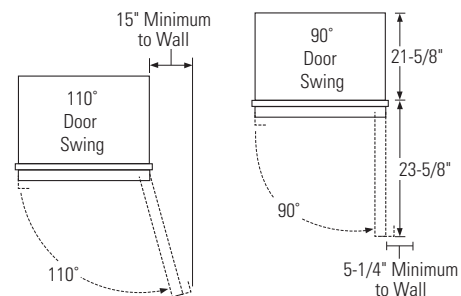
- A 120 volt 60Hz., 15 or 20 amp power supply is required. An individual properly grounded branch circuit or circuit breaker is recommended. Install a properly grounded 3-prong electrical receptacle recessed into the back wall as shown. Electrical must be located on rear wall as shown. **THIS PRODUCT MUST BE CONNECTED TO A POWER SOURCE WITH GROUND FAULT CIRCUIT INTERRUPTER (GFCI) PROTECTION WHEN INSTALLED IN AN OUTDOOR LOCATION. LOCAL CODES MAY REQUIRE A SEPARATE CIRCUIT.**

## PRODUCT CLEARANCES AND LOCATION REQUIREMENTS

The Outdoor/Indoor Refrigerator is factory set for a 110° door swing.

### When installed in a corner:

- Allow 5-1/4" min. clearance on the **hinge side** for the 90° door swing and to allow racks to slide out.
- Allow 15" minimum clearance on the **hinge side** for a full 110° door swing.
- Test the door swing. Carefully open and close the door. Adjust if the door makes contact with cabinetry.



# Design Guide

## PREPARATION FOR BUILT-IN UNDER-COUNTER INSTALLATIONS ONLY

The top canopy may be removed when installing under a countertop.

- Remove the three screws from the back of the top canopy (A).
- Using heavy-duty work gloves, lift up on the top canopy back (B) and slide it forward until it unlatches from the unit (C).
- Lift the top canopy up and off of the unit.

**NOTE:** Keep the top canopy and screws for future free-standing installations.

**NOTE:** When installing the unit in a free-standing configuration, the top canopy must be left in place.

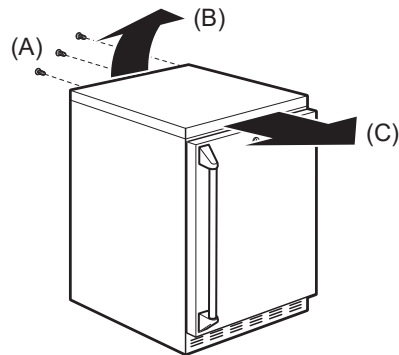
- If replacing the top canopy make sure the three latches in the front slide into the front lip of the canopy before pushing the canopy to the rear of the unit.

### ⚠ CAUTION

Under side edges of the stainless steel canopy top may be sharp. Wear heavy-duty work gloves when moving the top.

### ⚠ ATTENTION

Les bords du dessus en acier inoxydable du réfrigérateur peuvent être acérés. Portez des gants lorsque vous le retirez.



# Installation Instructions

## STEP 1 REMOVE PACKAGING

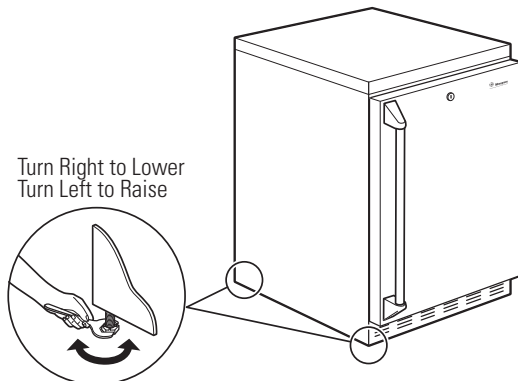
- Remove corner blocks and foam drawer stops.
- Remove all packing material, tape and protective plastic coverings.

**⚠ WARNING** Small objects are a choke hazard for children. Remove and discard any parts not used.

**⚠ AVERTISSEMENT** Les petits objets peuvent étrangler les enfants. Il faut jeter toutes les pièces qui ne sont pas utilisées.

## STEP 2 LEVEL

- Use an adjustable wrench to turn and raise or lower the leveling legs.
- Measure floor to countertop height inside the opening. Adjust leveling legs until the product is approximately 1/8" less than countertop height.



### INSTALLATION TIP:

Measure floor to underside of countertop inside the opening.

- If the room floor is higher than the floor inside the opening, adjust the rear leveling legs to approximately 1/8" less than the opening height. Screw front leveling legs all the way in to shorten the height at the front. This will allow you to slightly tip the unit into the opening. Once the unit is in the correct position, the front legs can be adjusted to level the product.

## STEP 3 CONNECT POWER

- If the refrigerator is used outdoors, plug the power cord into a GFCI receptacle.
- Check to make sure power is on by opening the door to see if interior light turns on.
- The interior fan runs at all times except when the door is open. See the the Owner's Manual for further explanation.

## STEP 4 SLIDE PRODUCT INTO THE CUTOUT

**NOTICE:** Do not push against the door with your knees. Do not push or lift the unit by the door handle. Damage may occur!

- Open the door and gently push the unit back into the opening with your hands against the sides. Be careful not to entangle power cord.
- In a standard 24" opening, the door will protrude 1-1/2" forward of the surrounding cabinets.
- Check again to be sure the unit is level.
- If the unit is installed under a countertop, adjust the leveling legs until the unit is resting firmly against the bottom of the countertop.
- If alignment with adjacent cabinetry is an issue, use a shim to secure the unit against the underside of the countertop.
- Test the door swing. Carefully open and close the door. The door should not rub or catch on adjacent cabinetry. Notify the installer if the door makes contact with cabinetry.

## STEP 5 SET TEMPERATURE CONTROLS

- The temperature controls are preset. Refer to the Owner's Manual for more information. Allow 12–24 hours for temperature to stabilize.

**NOTE:** The Outdoor/Indoor Refrigerator operates very quietly. You may not notice the unit running, and when first installed, the fans and motor may not come on immediately—this is normal. If the display is lit and the light is working, the unit is operating.

## STAINING WOOD DRAWER FRONTS

The drawer fronts are unfinished cherry wood. During use, oil from hands may accumulate and stain the wood.

- The drawer fronts may be stained and sealed to match adjacent cabinetry.
- Apply the stain and sealer according to the manufacturer's instructions. To avoid unpleasant odor, keep the door open to ventilate and allow the stain/sealer to dry completely before using the product.

**NOTE: While performing installations described in this book, safety glasses or goggles should be worn.**

**NOTE: Product improvement is a continuing endeavor at Monogram. Therefore, materials, appearance and specifications are subject to change without notice.**