

JRP20WJ/BJ

GE Appliances 24" Built-In Single Oven

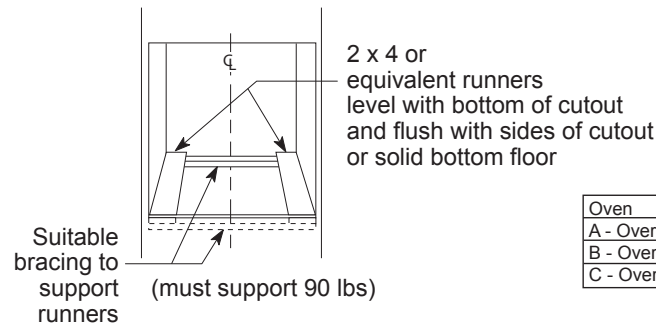
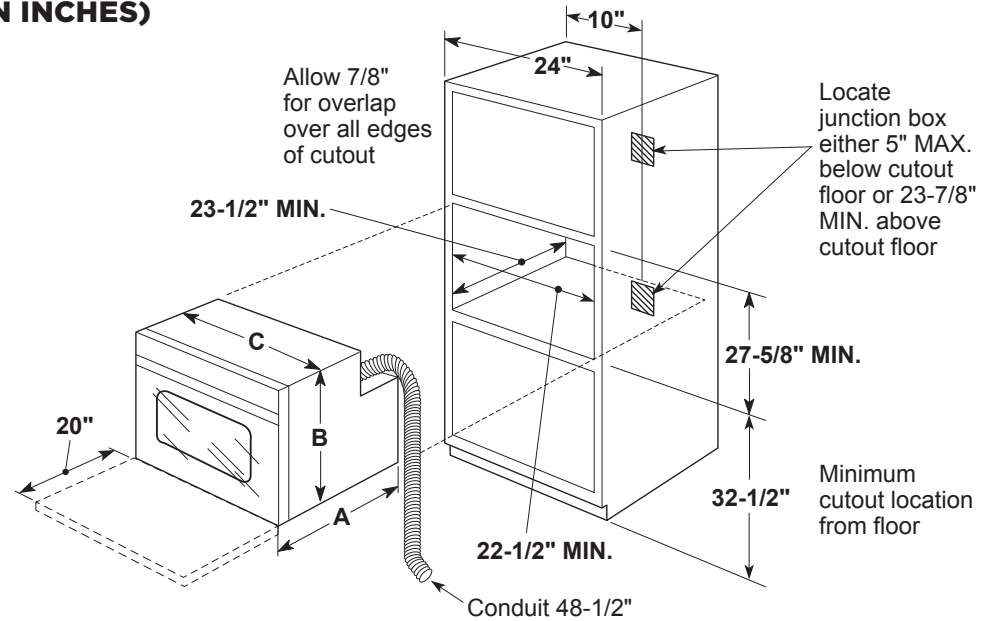
DIMENSIONS AND INSTALLATION INFORMATION (IN INCHES)

NOTE: The wall coverings, countertop and cabinets around the oven should be able to withstand the heat (up to 200°F) generated by the oven. It is important that the oven be installed at or above the minimum height specified. The unit has been tested and approved, in accordance with safety standards, at this height. This model is NOT approved for side-by-side installation.

INSTALLATION INFORMATION: Before installing, consult installation instructions packed with product for current dimensional data.

KW RATING	
240V	3.4
208V	2.6
BREAKER SIZE	
20 Amps†	

†Check local codes for required breaker size.



Oven	JRP20
A - Overall depth	25-1/8"
B - Overall height with trim	28-1/4"
C - Overall width	23-3/4"



GE APPLIANCES

For answers to your Monogram, GE Café™ Series, GE Profile™ Series or GE Appliances product questions, visit our website at geappliances.com or call GE Answer Center® Service, 800.626.2000.



Listed by Underwriters Laboratories

Specification Revised 12/15

JRP20WJ/BJ

GE Appliances 24" Built-In Single Oven

FEATURES AND BENEFITS

Self-clean oven – Conveniently cleans oven cavity without the need for scrubbing

Electronic oven controls – One-touch electronic pads are easy to use and allow for simple oven operation

Clear View window – Provides a convenient viewing area to check the progress of food

Interior oven light – Supplies light to make viewing the progress of cooking easy and convenient

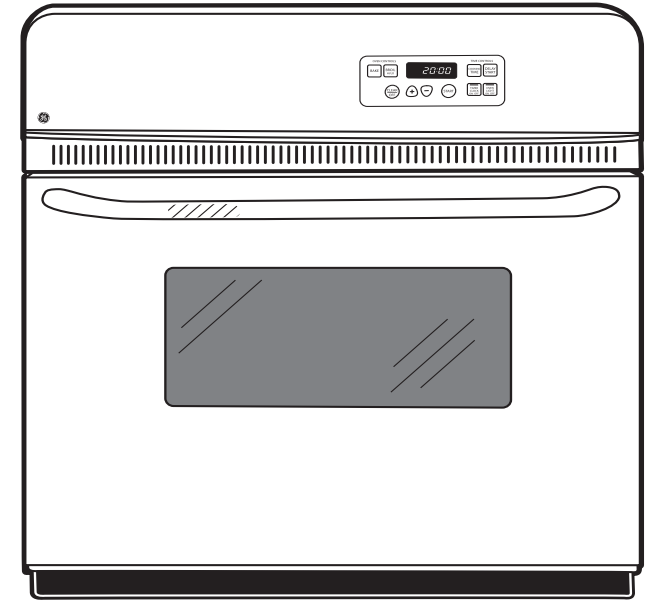
Two oven racks – Feature a durable construction to help accommodate any size or type of cookware

Multiple oven rack positions – Deliver flexibility and allow consumers to make the most of available oven capacity

Frameless glass oven door – Offers an easy-to-clean and stylish design that blends seamlessly into existing cabinetry

Model JRP20WJWW – White on white

Model JRP20BJBB – Black on black



GE APPLIANCES