

# JS630DF

## GE Appliances 30" Slide-In Electric Range

### DIMENSIONS AND INSTALLATION INFORMATION (IN INCHES)

**RECEPTACLE LOCATIONS:** Locally approved flexible service cord or conduit must be used because terminals are not accessible after range installation. See shaded area in drawing for location of electrical outlet box. Recommended outlet locations allow range to be installed directly against rear wall.

**NOTE:** This appliance has been approved for 0" spacing to adjacent surfaces above the cooktop. However, a 6" minimum spacing to surfaces less than 15" above the cooktop and adjacent cabinet is recommended to reduce exposure to steam, grease splatter and heat.

**INSTALLATION INFORMATION:** Before installing, consult installation instructions for current dimensional data and additional requirements

### OPTIONAL KITS FOR SLIDE-IN ELECTRIC RANGES

WB07T10680 - Black Filler Strip Assembly

### ACCESSORY BACKGUARDS

(Attaches to the back of range as a backguard when unit is installed in 30" free-standing cutout)

JXS32SS (Stainless) - 4" High

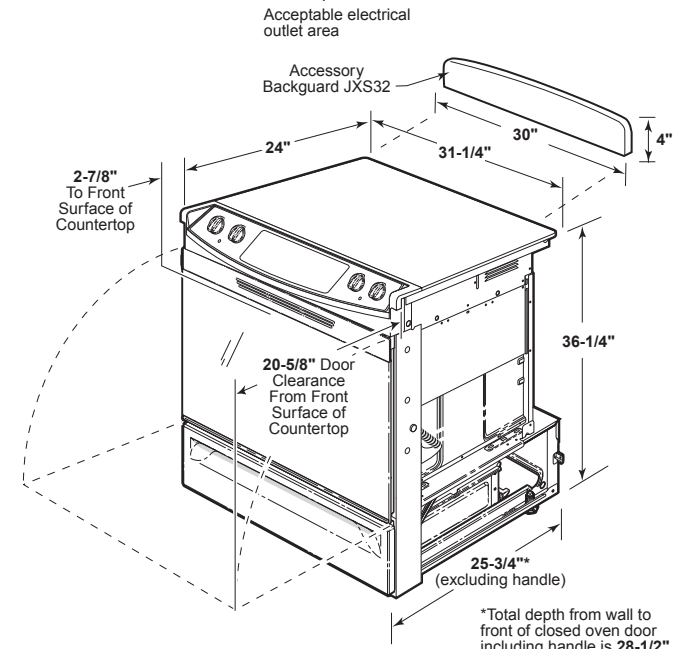
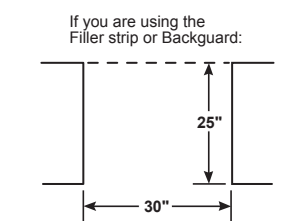
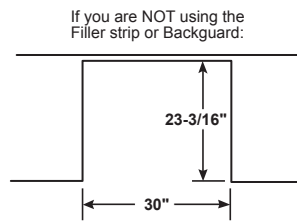
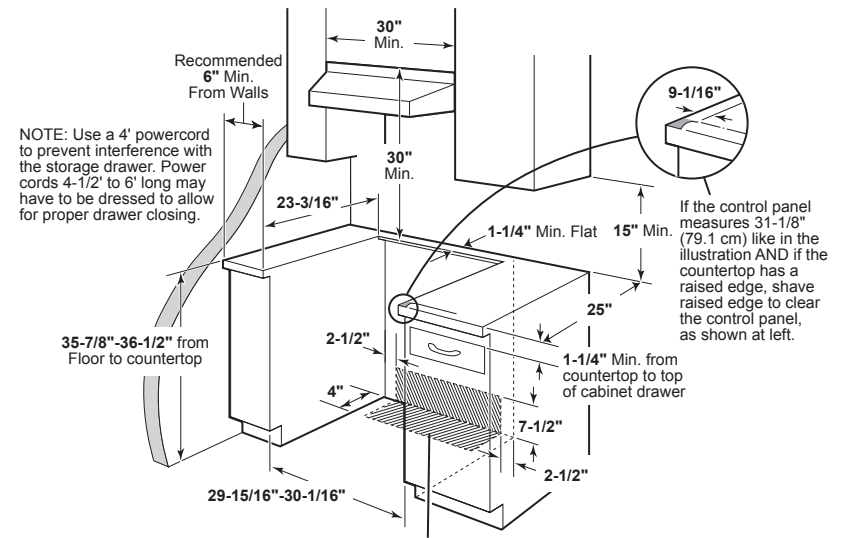
JXS32BB (Black) - 4" High

### BODY SIDES

(Slide-in ranges are sold without sides installed. Can be installed on either left or right when unit has one exposed side [no cabinet adjacent]. Kit contains 1 body side) JXS77BB (Black)

KW RATING	
240V	11.9
208V	8.9
BREAKER SIZE	
240V	40 Amps <sup>†</sup>
208V	40 Amps <sup>†</sup>

**†NOTE:** Check local codes for required breaker size.



For answers to your Monogram, GE Café™ Series, GE Profile™ Series or GE Appliances product questions, visit our website at [geappliances.com](http://geappliances.com) or call GE Answer Center® Service, 800.626.2000.



All GE ranges are equipped with an Anti-Tip device. The installation of this device is an important, required step in the installation of the range.



Listed by Underwriters Laboratories



# JS630DF

## *GE Appliances 30" Slide-In Electric Range*

### **FEATURES AND BENEFITS**

6"/9" Power Boil element - Produces rapid, powerful heat

Self-clean oven - Cleans the oven cavity without the need for scrubbing

Ceramic glass cooktop - Smooth cooktop easily wipes clean

Removable full-width storage drawer - Store cookware or kitchen accessories

Black gloss oven interior - Enjoy a clean and sleek appearance

Dual element bake - Upper and lower elements produce even heat and great results

Model JS630DFWW - White on white

Model JS630DFCC - Bisque on bisque

Model JS630DFBB - Black on black

