

JS750SF/EF

GE Appliances 30" Slide-In Electric Convection Range

DIMENSIONS AND INSTALLATION INFORMATION (IN INCHES)

RECEPTACLE LOCATIONS: Locally approved flexible service cord or conduit must be used because terminals are not accessible after range installation. See shaded area in drawing for location of electrical outlet box. Recommended outlet locations allow range to be installed directly against rear wall.

NOTE: This appliance has been approved for 0" spacing to adjacent surfaces above the cooktop. However, a 6" minimum spacing to surfaces less than 15" above the cooktop and adjacent cabinet is recommended to reduce exposure to steam, grease splatter and heat.

INSTALLATION INFORMATION: Before installing, consult installation instructions for current dimensional data and additional requirements

REAR FILLER STRIP (INCLUDED)

WB07T10680 - Black Filler Strip Assembly

OPTIONAL KITS FOR SLIDE-IN ELECTRIC RANGES

(Available At Additional Cost)

ACCESSORY BACKGUARDS

(Attaches to the back of range as a backguard when unit is installed in 30" free-standing cutout)

JXS32SS (Stainless) - 4" High

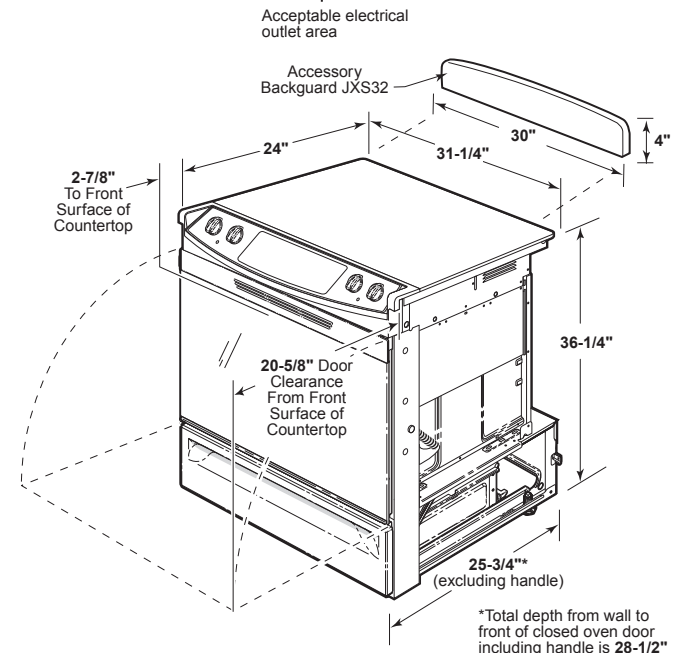
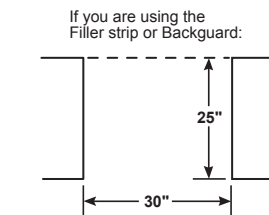
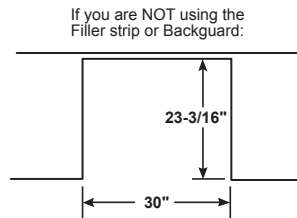
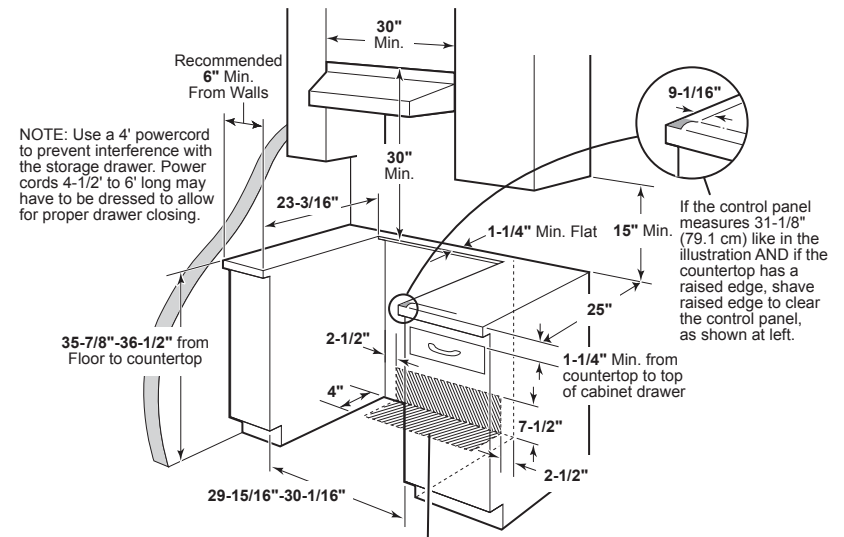
JXS32BB (Black) - 4" High

BODY SIDES

(Slide-in ranges are sold without sides installed. Can be installed on either left or right when unit has one exposed side [no cabinet adjacent]. Kit contains 1 body side) JXS77BB (Black)

KW RATING	
240V	13.5
208V	10.1
BREAKER SIZE	
240V	40 Amps [†]
208V	40 Amps [†]

†NOTE: Check local codes for required breaker size.



For answers to your Monogram, GE Café™ Series, GE Profile™ Series or GE Appliances product questions, visit our website at geappliances.com or call GE Answer Center® Service, 800.626.2000.



All GE ranges are equipped with an Anti-Tip device. The installation of this device is an important, required step in the installation of the range.



Listed by Underwriters Laboratories

JS750SF/EF

GE Appliances 30" Slide-In Electric Convection Range

FEATURES AND BENEFITS

True European Convection with Precise Air - Enjoy perfectly even results without turning the pan

6"/9"/12" 3600W Power Boil - Pots and pans fit perfectly on the flexible heating element

Bridge zone - Cook griddle favorites from the convenience of your range

Fifth element warming zone - Provides low heat capability for foods

Self-clean with Steam Clean option - Clean your oven the way you want

Fast preheat - Make hot meals in a hurry with less time preheating

Hidden bake - Make cleanup easy by eliminating hard-to-reach areas

Black gloss oven interior - Enjoy a clean and sleek appearance

Model JS750SFSS - Stainless steel

Model JS750EFES - Slate

