

# JB250DF

## GE® 30" Free-Standing Electric Range

### DIMENSIONS AND INSTALLATION INFORMATION (IN INCHES)

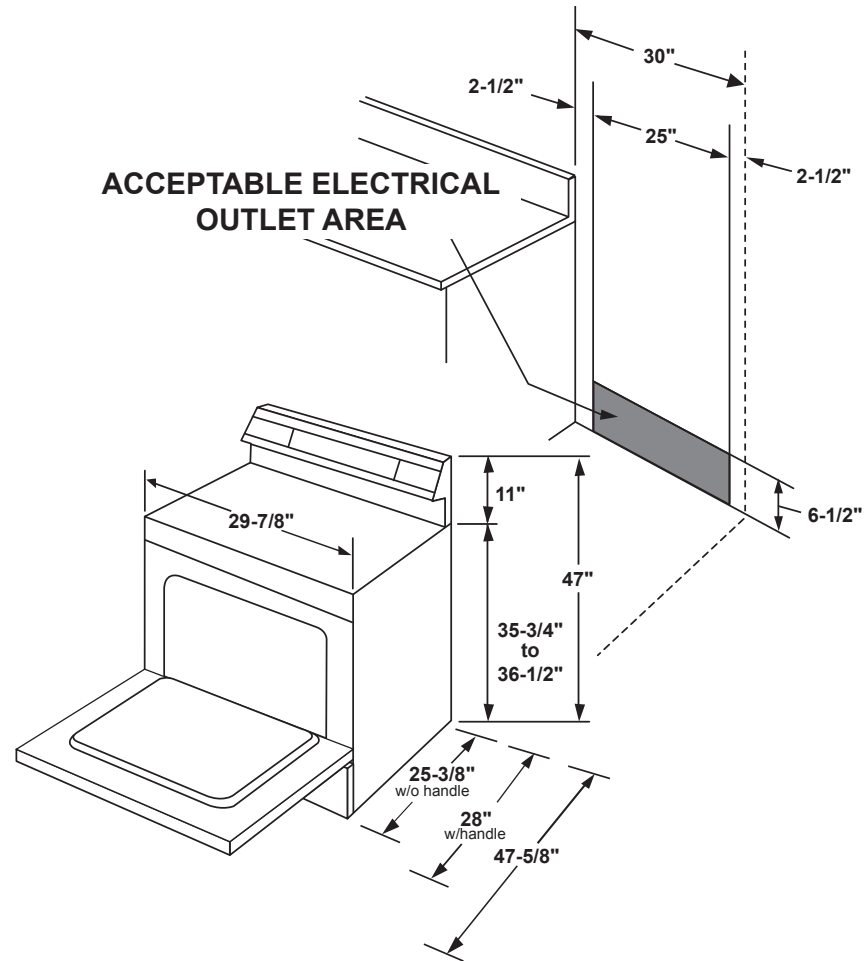
**RECEPTACLE LOCATIONS:** Locally approved flexible service cord or conduit must be used because terminals are not accessible after range installation. See shaded area in drawing for location of electrical outlet box. Recommended outlet locations allow range to be installed directly against wall.

**NOTE:** 30" ranges conform to U.L. requirements for 0" spacing from adjacent walls below countertops. To reduce possibility of scorching walls, engineering recommends a minimum of 1-1/2" spacing to allow for possible extended, high-heat, no-load heating element operation.

**INSTALLATION INFORMATION:** Before installing, consult installation instructions for current dimensional data and additional requirements.

KW RATING	
240V	12.1
208V	9.1
BREAKER SIZE	
40 Amps†	

†NOTE: Check local codes for required breaker size.



For answers to your Monogram, GE Café™ Series, GE Profile™ Series or GE Appliances product questions, visit our website at [geappliances.com](http://geappliances.com) or call GE Answer Center® Service, 800.626.2000.



All GE Appliances ranges are equipped with an Anti-Tip device. The installation of this device is an important, required step in the installation of the range.



Listed by Underwriters Laboratories

Specification Revised 6/18

# JB250DF

## GE® 30" Free-Standing Electric Range

### FEATURES AND BENEFITS

5.3 cu. ft. Oven Capacity – Enough room to cook an entire meal at once

Self-Clean Oven – Cleans the oven cavity without the need for scrubbing

Coil Heating Elements – Provide even heat and easy cleanup

Dual Element Bake – Upper and lower elements produce even heat and great results

Removable Full-Width Storage Drawer – Store cookware or kitchen accessories

Model JB250DFCC – Bisque on bisque

Model JB250DFWW – White on white

Model JB250DFBB – Black on black

