

JB630DF

GE® 30" Free-Standing Electric Range

Dimensions and Installation Information (in inches)

Receptacle Locations

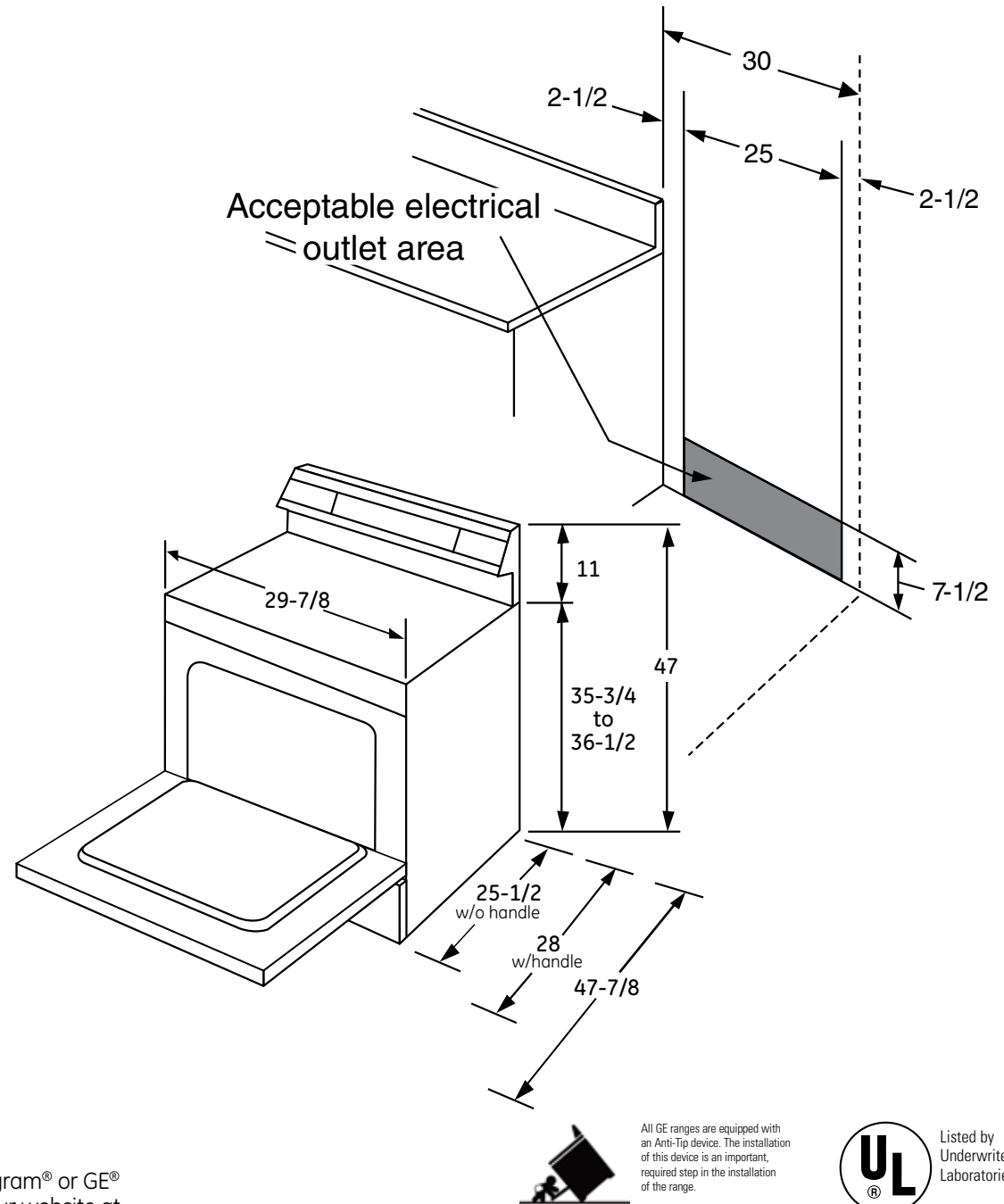
Locally approved flexible service cord or conduit must be used because terminals are not accessible after range installation. See shaded area in drawing for location of electrical outlet box. Recommended outlet locations allow range to be installed directly against wall.

Note: 30" ranges conform to U.L. requirements for 0" spacing from adjacent walls below countertops. To reduce possibility of scorching walls, engineering recommends a minimum of 1-1/2" spacing to allow for possible extended, high-heat, no-load heating element operation.

Installation Information: Before installing, consult installation instructions for current dimensional data and additional requirements.

KW Rating	
240V	11.3
208V	8.5
Breaker Size	
40 Amps†	

†**Note:** Check local codes for required breaker size.



imagination at work

For answers to your Monogram® or GE® appliance questions, visit our website at geappliances.com or call GE Answer Center® service, 800.626.2000.



Listed by Underwriters Laboratories

JB630DF

GE® 30" Free-Standing Electric Range

Features and Benefits™

- 6"/9" Power Boil Element - Produces rapid, powerful heat
- 5.3 cu. ft. Oven Capacity - Enough room to cook an entire meal at once
- Self-Clean Oven - Cleans the oven cavity without the need for scrubbing
- Ceramic Glass Cooktop - Smooth cooktop easily wipes clean
- Removable Full-Width Storage Drawer - Store cookware or kitchen accessories
- Dual Element Bake - Upper and lower elements produce even heat and great results
- Model JB630DFBB - Black on black
- Model JB630DFWW - White on white

