

# JGB296DET

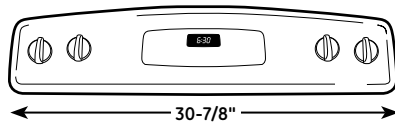
## GE® 30" Free-Standing Gas Convection Range

### Dimensions and Installation Information (in inches)

**Gas Self-Clean Range Anti-Tip Bracket**  
(Part No. 205C1714P001)

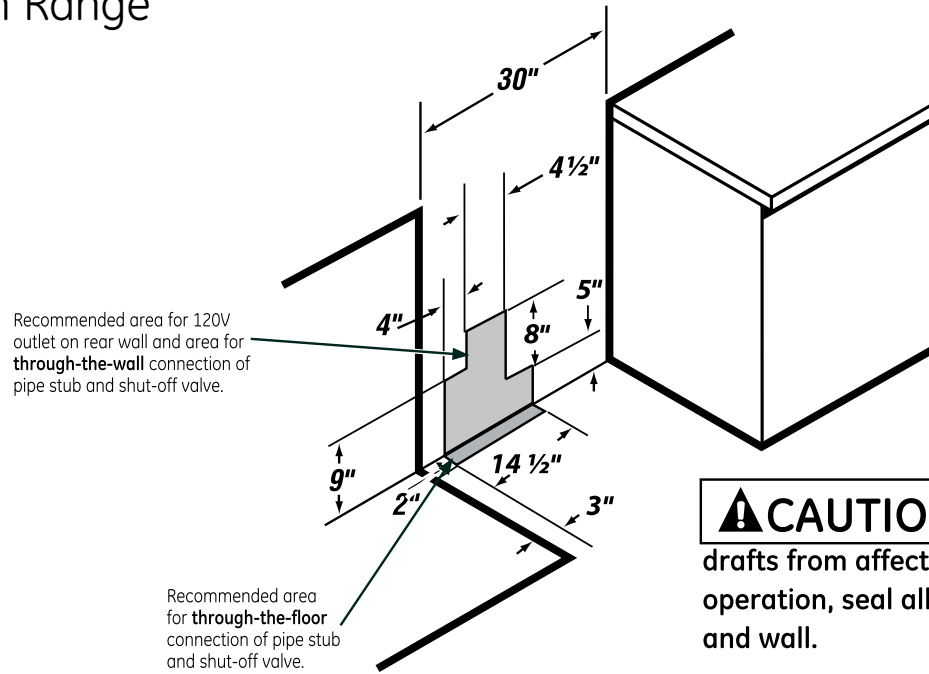
**Electrical Rating:** 120V, 60Hz, 5A

**Installation Information:** Before installing, consult installation instructions packed with product for current dimensional data.

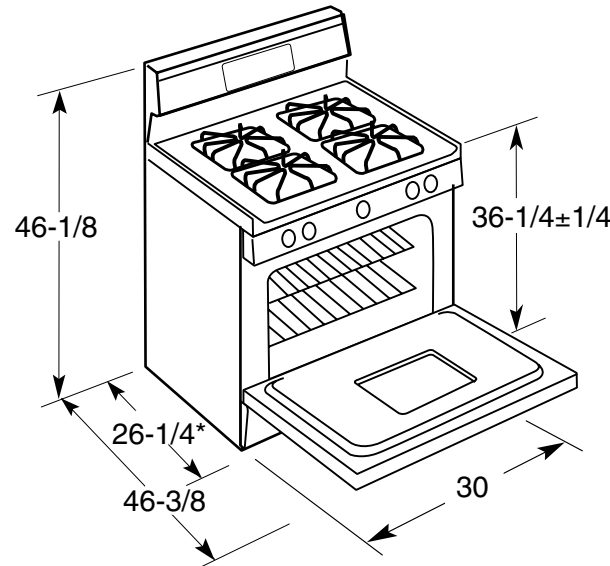


All 30" GE gas and electric range backguards are 30-7/8" wide.\*

\*Except these models: JGBS07, JGBS04, all GE Profile free-standing electric and gas ranges  
Fits most countertop backsplash applications.  
Consult Use & Care Manual for detailed installation instructions.



**CAUTION** To prevent drafts from affecting burner operation, seal all openings in floor and wall.



\*Dimension from wall to front of closed door handle is 28-5/8".

For answers to your Monogram®, GE Profile™ or GE® appliance questions, visit our website at [geappliances.com](http://geappliances.com) or call GE Answer Center® service, 800.626.2000.



All GE ranges are equipped with an Anti-Tip device. The installation of this device is an important, required step in the installation of the range.



Specification Revised 12/11

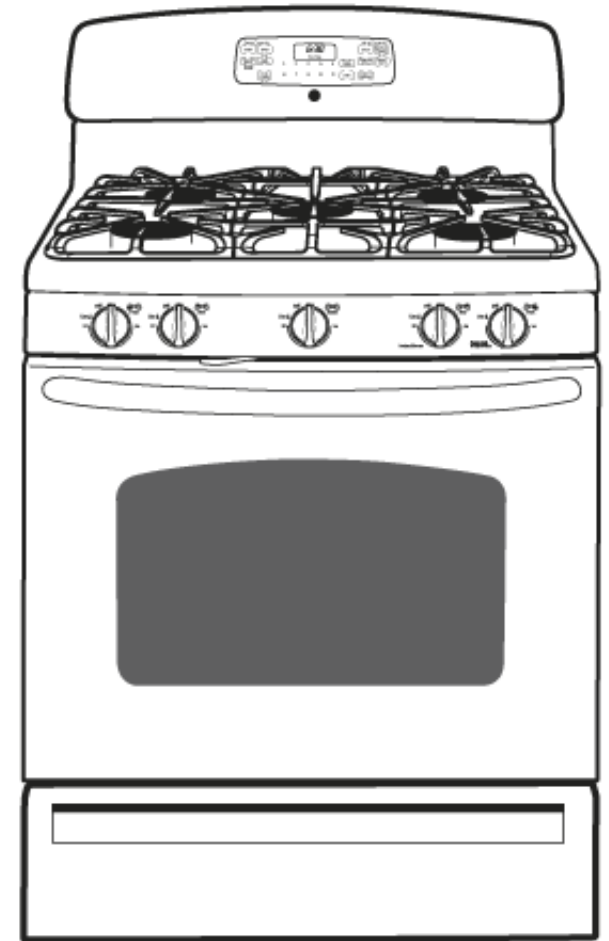
330584

# JGB296DET

## GE® 30" Free-Standing Gas Convection Range

### Features and Benefits

- Self-clean oven - Conveniently cleans the oven cavity without the need for scrubbing
- 5.0 cu. ft. oven capacity - Enough room to cook an entire meal at once
- Gas convection oven - Circulates air throughout the oven cavity ensuring better baking and roasting results
- 16,500 BTU PowerBoil™ burner - Delivers intense heat for rapid boiling
- Center round burner - Round fifth burner allows for low, even heat distribution that is ideal for delicate foods and sauces
- Model JGB296DETTW - White on white
- Model JGB296DETTB - Black on black



imagination at work