

GSD3300/3340/3360D

GE® Series Standard Tub Dishwasher

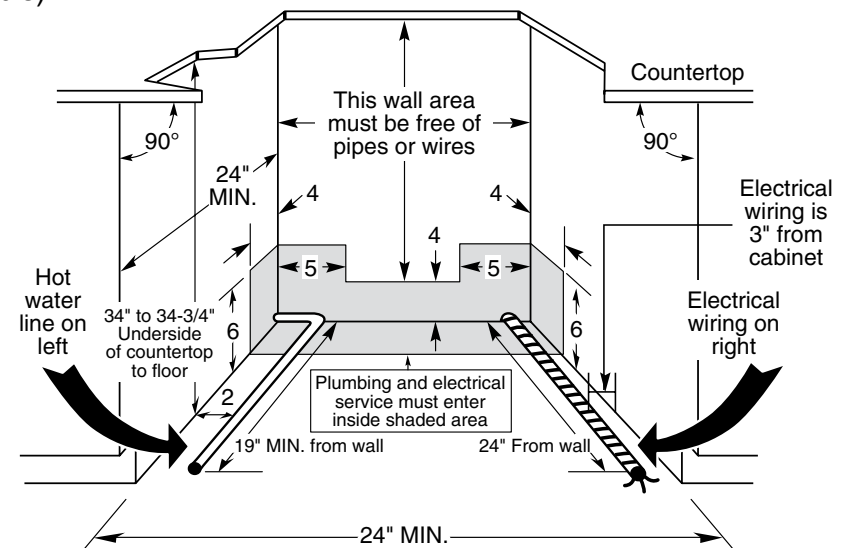
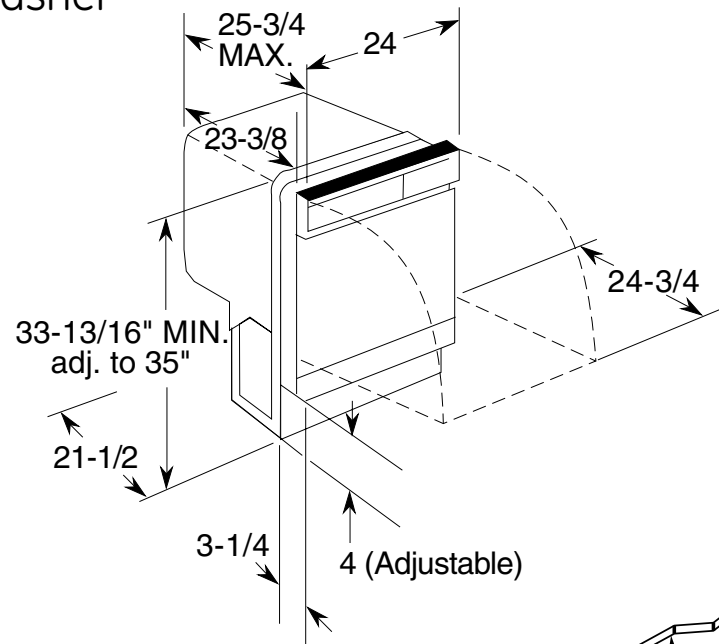
Dimensions and Installation Information (in inches)

Electrical Rating

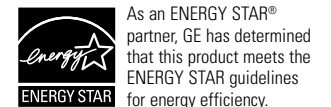
Voltage AC.....	120
Hertz.....	60
Total connected load amperage.....	6.2
Calrod® heater watts max.....	500

For use on adequately wired 120-volt, 15-amp circuit having 2-wire service with a separate ground wire. This appliance must be grounded for safe operation.

Note: Dishwasher must not be installed more than 10 feet from sink for proper drainage. All plumbing and electrical work must be in accordance with local codes.



For answers to your Monogram® Cafe™ Series, Profile™ Series or GE® appliance questions, visit our website at geappliances.com or call GE Answer Center® service, 800.626.2000.



GSD3300/3340/3360D

GE® Series Standard Tub Dishwasher

Features and Benefits

- 4-level wash system with - Powerful wash cleans dishes thoroughly
- Two-stage filtration with Extra Fine filter - Extra filtration keeps water clean
- Piranha™ hard-food disposer - Grinds food into small particles that are washed away
- Hot Start option - Provides optimal water temperature for dependable performance
- Insulation blanket - Adds improved sound performance
- Up to 12-place setting capacity racking - Provides flexibility to wash a variety of dishes at once
- ENERGY STAR® qualified - Meets or exceeds federal guidelines for energy efficiency for year-round energy and money savings
- 62 dBA - Motor runs quietly to keep kitchen peaceful
- Heavy wash cycle - Great for heavily soiled dishes and cookware
- Meets the 4.25 gallons/cycle spec for ENERGY STAR® qualification
- Model GSD3300DWW - White on white
- Model GSD3300DCC - Bisque on bisque
- Model GSD3300DBB - Black on black
- Model GSD3340DSA - Silver
- Model GSD3360DSS - Stainless steel

