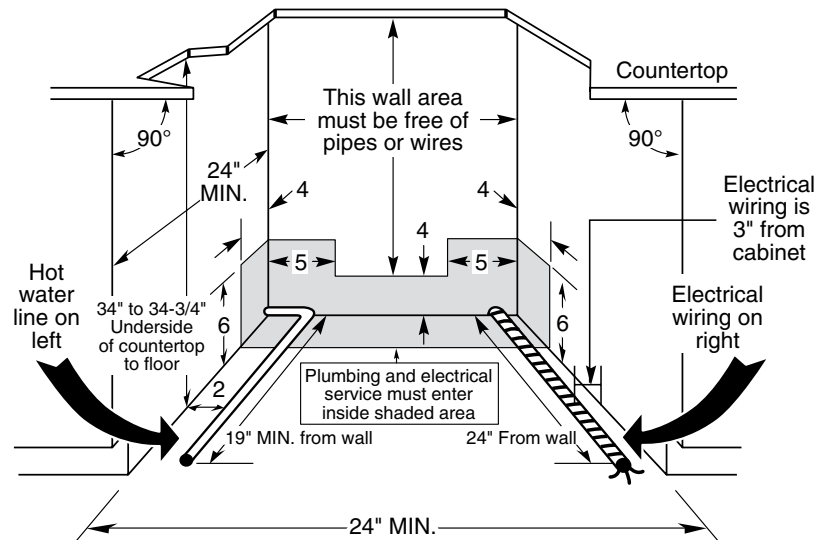
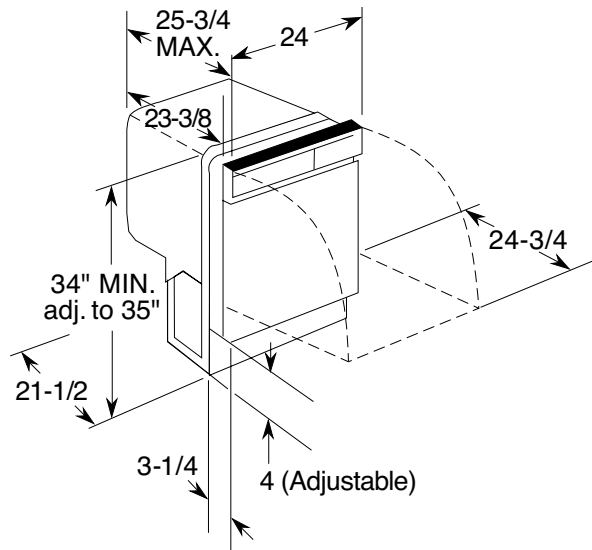


HOTPOINT®

HDA3600/3640D – Hotpoint Built-In Dishwasher

Dishwasher Dimensions (in inches)



Electrical Rating

| | |
|------------------------------------|-----|
| Voltage AC..... | 120 |
| Hertz..... | 60 |
| Total connected load amperage..... | 8.6 |
| Calrod® heater watts max..... | 500 |

For use on adequately wired 120-volt, 15-amp circuit having 2-wire service with a separate ground wire. This appliance must be grounded for safe operation.

Note: Dishwasher must not be installed more than 10 feet from sink for proper drainage. All plumbing and electrical work must be in accordance with local codes. Dishwasher includes drain hose and leveling legs.

Installation Information: Before installing, consult installation instructions packed with product for current dimensional data.

Specification Revised 10/13

450162



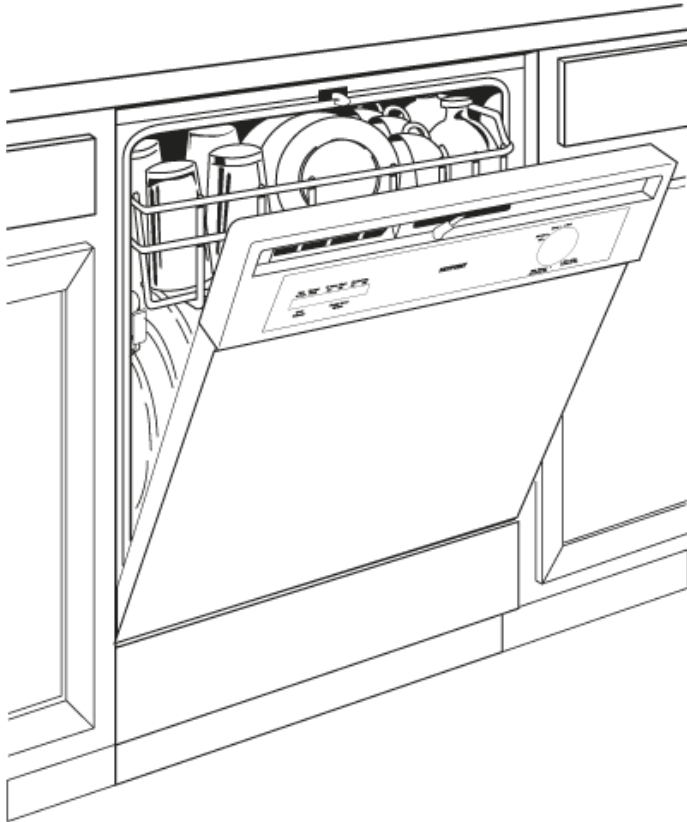
As an ENERGY STAR® partner, GE has determined that this product meets the ENERGY STAR guidelines for energy efficiency.



Listed by Underwriters Laboratories

HOTPOINT®

HDA3600/3640D – Hotpoint Built-In Dishwasher



Features and Benefits

- 5-level wash system - Precision water jets and hot temperatures power away tough food stains
- Two-stage filtration with Extra Fine filter - Extra filtration keeps water clean
- Piranha™ hard food disposer - Grinds food into small particles that are washed away
- Insulation blanket - Adds improved sound performance
- Standard upper rack with tower - Rack is designed for simple loading and unloading
- Pots and Pans Cycle - Removes difficult soils from cookware
- Hi-temp wash - Helps maximize detergent performance
- 5 cycles / 3 options - Allows you to select the combination that best cleans your dishes
- Up to 12-place setting capacity racking - Provides flexibility to wash a variety of dishes at once
- Model HDA3600DWW – White on white
- Model HDA3600DBB – Black on black
- Model HDA3600DCC – Bisque on bisque
- Model HDA3640DSA – Silver metallic