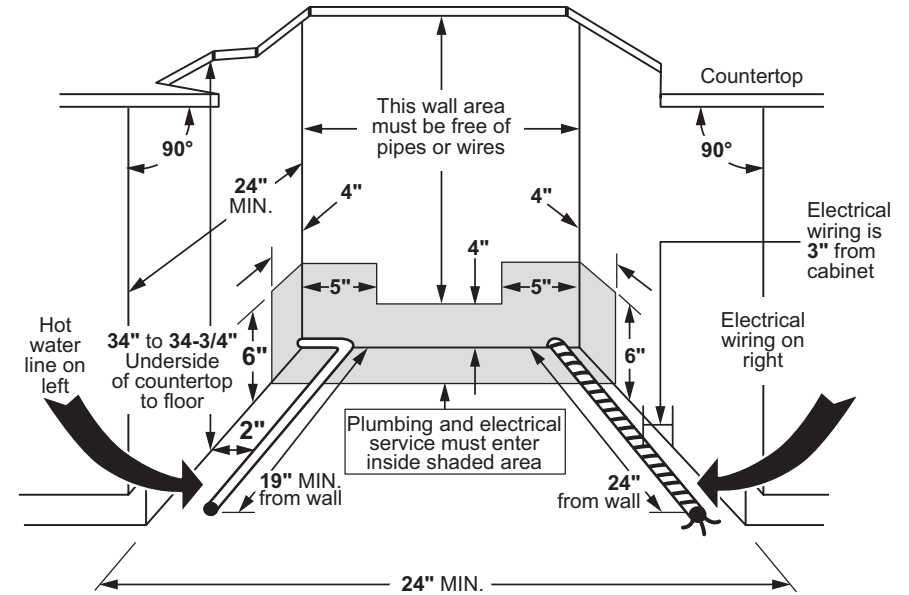
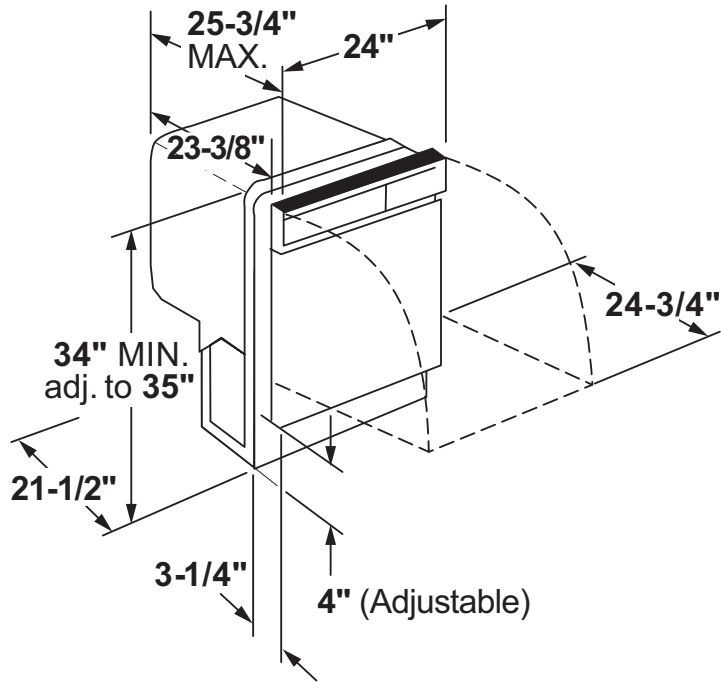


HDA2100H

Hotpoint® Built-In Dishwasher

DIMENSIONS AND INSTALLATION INFORMATION (IN INCHES)



ELECTRICAL RATING

Voltage AC.....	120
Hertz.....	60
Total connected load amperage.....	8.6
Calrod® heater watts max.....	500

For use on adequately wired 120-volt, 15-amp circuit having 2-wire service with a separate ground wire. This appliance must be grounded for safe operation.

NOTE: Dishwasher must not be installed more than 10 feet from sink for proper drainage. All plumbing and electrical work must be in accordance with local codes. Dishwasher includes drain hose and leveling legs.

INSTALLATION INFORMATION: Before installing, consult installation instructions packed with product for current dimensional data.



For answers to your Monogram, GE Café™ Series, GE Profile™ Series or GE Appliances product questions, visit our website at geappliances.com or call GE Answer Center® Service, 800.626.2000.



Specification Revised 1/17

HDA2100H

Hotpoint® Built-In Dishwasher

FEATURES AND BENEFITS

Piranha™ hard food disposer - Grinds food into small particles that are washed away

Hot Start option - Provides optimal water temperature for dependable performance

64 dBA - motor runs quietly to keep kitchen peaceful

Water saver cycle - Great for quickly washing loads of everyday dishes or a quick load of glasses

Heavy wash cycle - great for heavily soiled dishes and cookware

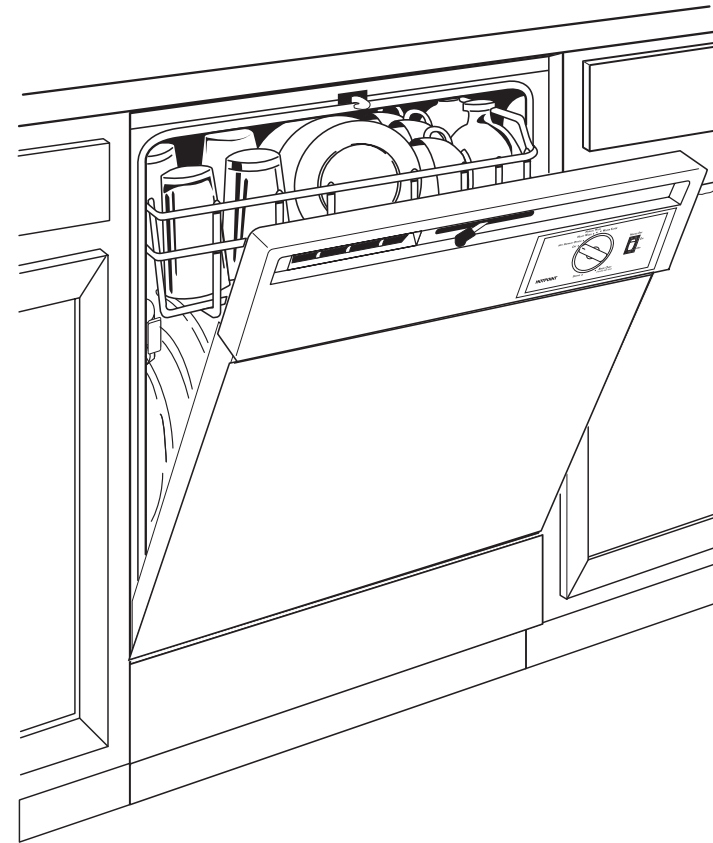
5 cycles/2 options - Allows you to select the combination that best cleans your dishes

Up to 12-place setting capacity racking - Provides flexibility to wash a variety of dishes at once

Model HDA2100HWW – White on white

Model HDA2100HBB – Black on black

Model HDA2100HCC – Bisque on bisque



For answers to your Monogram, GE Café™ Series, GE Profile™ Series or GE Appliances product questions, visit our website at geappliances.com or call GE Answer Center® Service, 800.626.2000.