



# Installation Instructions

## Household Water Filtration System\* GXWH04F and GXWH20S

### SAFETY PRECAUTIONS

- Check with your state and local public works department for plumbing and sanitation codes. You must follow these guidelines as you install the Household Water Filtration Housing. Using a qualified installer is recommended.
- Be sure the water supply conforms with the Specifications Guidelines. If the water supply conditions are unknown, contact your municipal water company.

### **⚠ WARNING**

**Do not use with water that is microbiologically unsafe or of unknown quality without adequate disinfection before or after the system.**

- It is highly recommended that a water shut-off valve be placed directly upstream of your household filter.

### PROPER INSTALLATION

This Household Water Filtration System must be properly installed and located in accordance with the Installation Instructions before it is used.

- **Check with your local public works department for plumbing codes. You must follow their guides as you install the Household Water Filtration System.**
- **Use the Household Water Filtration System on a potable, safe-to-drink, home COLD water supply only. The filter cartridge will not purify water or make unsafe water safe to drink.**
- **Protect the Household Water Filtration System and piping from freezing. Water freezing in the housing will damage it.**
- **Your Household Water Filtration System will withstand up to 125 psi water pressure. If your house water supply pressure is higher than 80 psi during the day (it may reach higher levels at night), install a pressure-reducing valve before the housing is installed.**

- **Do not install on HOT WATER.** The temperature of the water supply to the Household Filtration System must be between the minimum of 40°F and the maximum of 100°F. See the Specification Guidelines.

- **Do not install the Household Water Filtration System using copper solder fittings.** The heat from the soldering process will damage the unit. If making a soldered copper installation, do all sweat soldering before connecting pipes to the housing. Torch heat will damage plastic parts.

### **⚠ WARNING**

**Discard all unused parts and packaging material after installation. Small parts remaining after installation could be a choke hazard.**

- **Do not install filter in an outside location or anywhere it will be exposed to sunlight.**

### REQUIRED TOOLS AND ACCESSORIES FOR INSTALLATION

- 2 wrenches: 1½" and 1¼"
- Pipe cutter
- Ruler or tape measure
- Cordless drill and a 3/16" drill bit (optional)
- File
- Emery paper
- Screwdriver
- (2) 3/4" compression adapters with ferrule and nut (compatible to home plumbing)
- UL-approved grounding clamps and 6-gauge grounding wire
- Teflon tape
- If unit is to be installed on plastic, PVC or galvanized plumbing, separate hardware must be purchased.

### CONTENTS INCLUDED WITH PRODUCT

- Filter housing and head
- Product literature
- Sediment filter FXUSC (Rev. 2) (for GXWH20S only)
- Housing wrench
- Mounting bracket with (2) screws
- Timer and batteries



The FXUSC (Rev. 2) filter is certified by IAPMO R&T against NSF/ANSI Standard 42 for materials requirement only.

COMPONENT



This GXWH04F is certified by IAPMO R&T against NSF/ANSI Standard 42 for materials and structural integrity requirements only.

COMPONENT



The GXWH20S system using FXUSC (Rev. 2) filter is certified by IAPMO R&T against NSF/ANSI Standard 42 for reduction of particulate Class V and against CSA B483.1.

## ABOUT THE FILTER CARTRIDGE

### Performance Data Sheet

GXWH20S system using FXUSC (Rev. 2) filter has been tested according to NSF/ANSI 42 for reduction of the substances listed below. The concentration of the indicated substances in water entering the system was reduced to a concentration less than or equal to the permissible limit for water leaving the system, as specified in NSF/ANSI 42. While testing was performed under standard laboratory conditions, actual performance may vary.

SUBSTANCE	INFLUENT CHALLENGE CONCENTRATION	REDUCTION REQUIREMENT
Particulate, Class V particles 30 to <50	At least 1,000 particles/mL	> +85%

Rated Service Flow: 4 gpm  
 Minimum–Maximum Supply Water Pressure: 20–125 psi (2.1-6.9 bar)  
 Minimum–Maximum Supply Water Temperature: 40–100°F (4.4–37.7°F)

### Replacement Filter Cartridges

Several variables determine how long the cartridge will last in your Household Water Filtration System. These include:

- levels of sediment or other undesirable substances in your water.
- the amount of water you use.
- the filter location (filtering all or part of your household water).

Rated Service Flow: 4 gpm

MODEL	REDUCES	LIFE	FLUSH TIME	CONSTRUCTION
FXUSC (Rev.2)	Sediment	3 month/16,000 gallons*	30 minutes (120 gallons)	Polypropylene Fiber
FXWPC	Sediment*	3 month/16,000 gallons*	15 minutes (60 gallons)	Pleated
FXWTC (Rev.2)	Sediment*, Chlorine, Taste and Odor	3 month/700 gallons	5 minutes (20 gallons)	Carbon Paper
FXWSC	Sediment*	3 months/ 16,000 gallons*	15 minutes (60 gallons)	String Wound

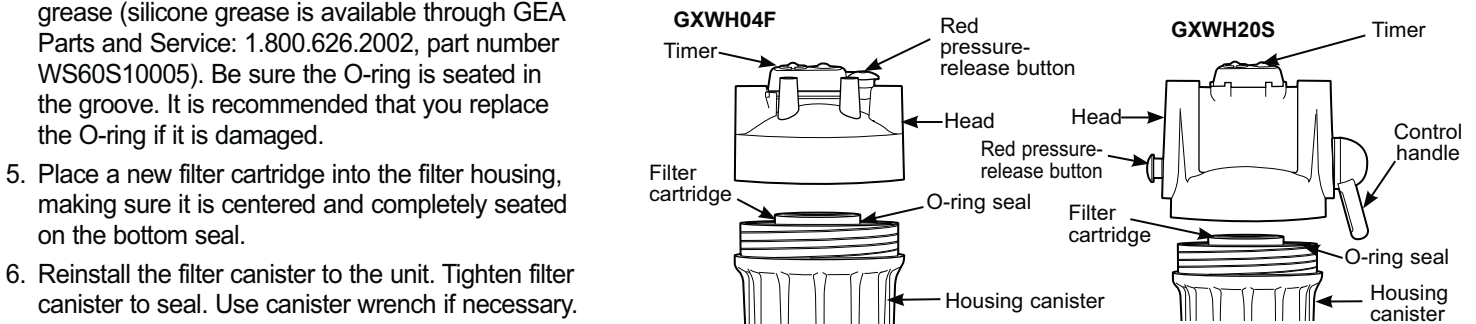
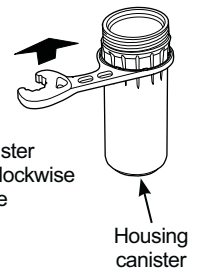
\* Claims not substantiated by NSF. Based on manufacturer's testing only.

### Filter Cartridge Replacement

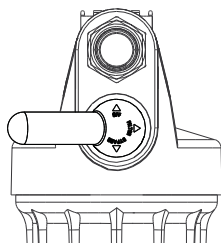
You should change your filter when the water flow is noticeably reduced or at least every 3 months.

1. Turn off water to filter. For model GXWH04F, water must be shut off from an upstream valve. For model GXWH20S, rotate control handle to the BYPASS or OFF position. (See Control Handle.)
2. Press the red pressure-release button to release pressure.
3. Unscrew the filter canister and discard used filter. Wash the filter canister with mild soap and water. **Do not** use harsh cleaners or hot water.
4. Inspect the filter canister O-ring. Make sure it is lightly lubricated with clean food-grade silicone grease (silicone grease is available through GEA Parts and Service: 1.800.626.2002, part number WS60S10005). Be sure the O-ring is seated in the groove. It is recommended that you replace the O-ring if it is damaged.
5. Place a new filter cartridge into the filter housing, making sure it is centered and completely seated on the bottom seal.
6. Reinstall the filter canister to the unit. Tighten filter canister to seal. Use canister wrench if necessary.
7. Slowly rotate control handle to the FILTER position (model GXWH20S) or slowly turn on the upstream shut-off valve (model GXWH04F).
8. Press the red pressure-release button to remove trapped air.
9. **For initial system installation**, open any downstream faucet and allow filter system to flush for 30 minutes (120 gallons) (model GXWH20S) or 15 minutes (60 gallons) (model GXWH04F).

**For filter replacement**, see chart above for individual filter flush times.

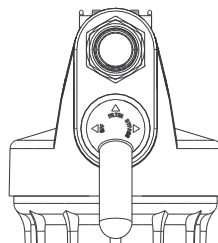


### Control Handle (GXWH20S Model Only)



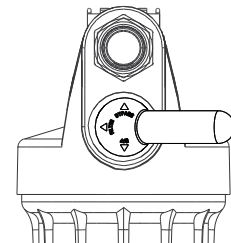
**OFF**

- Shuts off water.



**FILTER**

- For filtered water. Directs water flow through filter.



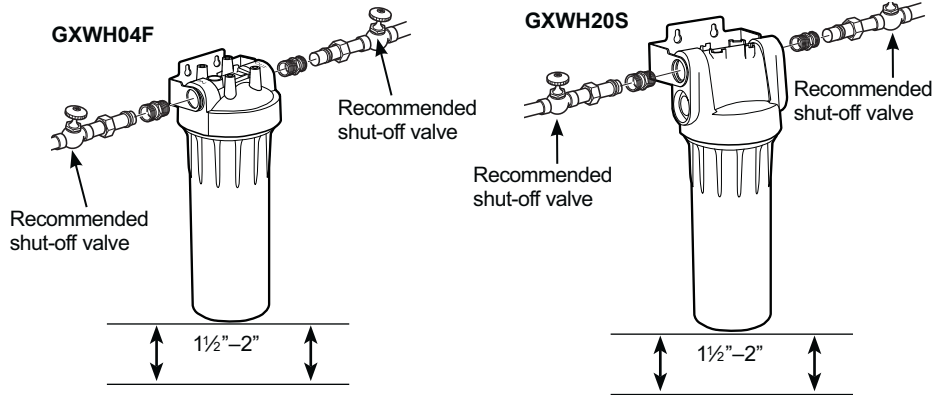
**BYPASS**

- Permits flow of water to the house without flowing through the filter. Use this position for filter changes or if filtered water is not desired.

## STEP-BY-STEP INSTALLATION INSTRUCTIONS

### Installation Overview

**NOTE:** Be sure to allow a minimum space of 1½"–2" under the filter for removing the filter housing to change the cartridge.



### Select Location

Select a location for the filter that is:

- protected from freezing.
- not exposed to direct sunlight.

It is recommended that a shut-off valve be placed on both sides of the filter.

It is recommended that a mounting bracket be used.

### Cut Water Line

#### **⚠ WARNING**

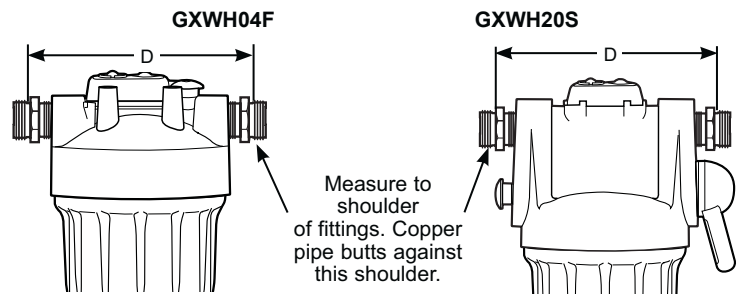
A copper or galvanized cold water pipe may be used to ground electrical outlets in the home. Failure to maintain this ground path may result in an electric shock hazard. If the cold water pipe is used to ground electric outlets, please refer to Installing the Ground Wire section before cutting the pipe.

1. Turn off the water supply and open a nearby faucet to drain the water out of the pipes.
2. Using a tape measure or ruler, measure the distance "D" as shown.

■ **NOTE:** It is recommended that the shut-off valve be placed before and after the filter as shown in the Installation Overview illustration.

- Select a secure location to install the filter and mounting bracket. The location should align the filter housing with the inlet and outlet pipes and should not cause the pipes to bend. Mark the distance "D" on the pipe. D is about 5¼" for GXWH04F model and 5¾" for GXWH20S model.
3. Using a pipe cutter, cut pipe. Sand (file) the cut ends of the pipe to ensure that they are square and smooth.

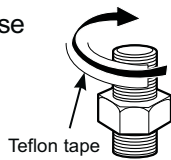
■ **NOTE:** Have a bucket and towel available to collect excess water.



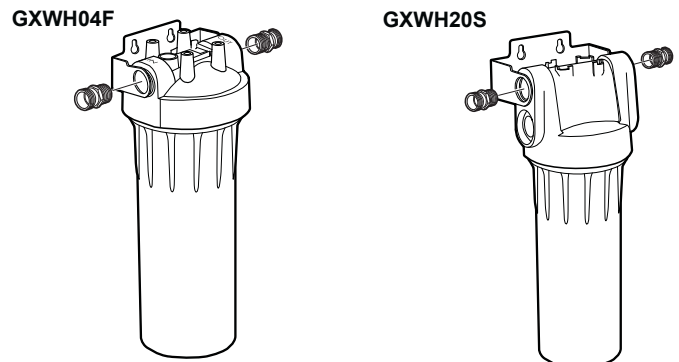
### Install Fittings and Mounting Bracket

Instructions are for installing fittings onto 3/4" copper plumbing. If the unit is to be installed on any other type of tubing (plastic, PVC, galvanized), different hardware must be purchased. See instructions with additional hardware purchased, or consult a qualified plumber.

1. Apply about 12" of Teflon tape, in a clockwise direction, to the pipe threads of each fitting. **DO NOT** use joint compound on any parts.
2. Use the bracket as a template to find the two screw locations. Wood screws are provided. If mounted onto other surface, use appropriate hardware.
3. Drill a 3/16" hole on each marked screw location (optional); then drive the two wood screws until about 1/4" of thread is left. Ensure at least one screw is anchored into wall stud.



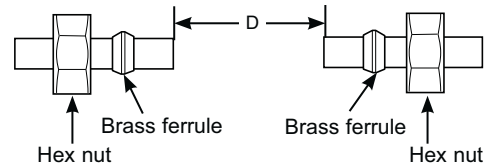
4. Assemble a fitting through the mounting bracket hole to the inlet and outlet of the head. Start each fitting by hand to make sure they don't cross-thread. Use a 1½" wrench to tighten fittings firmly. **DO NOT OVERTIGHTEN.**



## STEP-BY-STEP INSTALLATION INSTRUCTIONS (cont.)

### Attach Fittings to Water Line

1. Slip a compression nut onto each pipe.
2. Next, slip the brass ferrule onto each pipe.



### Installing the Unit

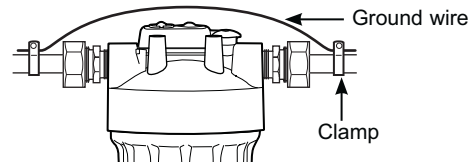
1. Align filter assembly with pipe ends, making certain that the incoming water supply is going into the filter opening marked "IN." It may be necessary to spread the pipe ends apart to install filter assembly.
2. Using a 1½" wrench to hold the fitting in place; use a 1¼" wrench to tighten the nut. Repeat process for other fittings.
3. Hang mounting bracket with unit onto previously installed screws. Drive two screws to secure unit tightly to the wall if necessary.
4. Install a filter into the housing and tighten canister to seal (see Filter Cartridge Replacement section).

### Installing the Ground Wire

**NOTE:** If your house plumbing is plastic, it would not be used as a grounding path, and this step should be skipped.

**IMPORTANT:** A copper or galvanized cold water pipe is often used to ground electrical outlets in the home. **Grounding protects you from electrical shock.** The water filter housing may have broken this ground path. To restore connection, install a 12"-long, 6-gauge copper wire across the filter, and tightly clamp using UL-approved 1/2"-1" bronze grounding clamps at both ends as shown. Zinc clamps should not be used on copper plumbing. Wire and clamps may be purchased separately from your local hardware store.

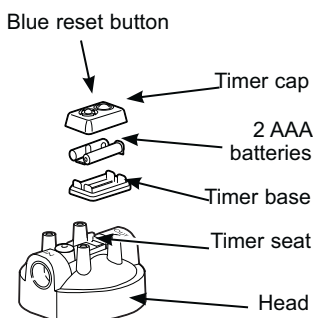
1. Clean copper pipe and ends of wire with emery paper. Bare wire is recommended. If insulated wire is used, it should be stripped 3/4" at each end before cleaning with emery paper.
2. Attach bronze clamps to copper pipe. Tighten screws.
3. Attach wire to clamps as shown. Tighten screws.



### Final Check

1. Install filter, if not already done. (See Filter Cartridge Replacement section.)
2. Slowly turn on water supply.
3. Check entire system for leaks.
4. If leaking from fittings, shut off water pressure and tighten or reseal fittings. If leaking from the canister, tighten the canister with a wrench.
5. Open any downstream faucet and allow filter and housing to flush for 30 minutes (120 gallons) (model GXWH20S) or 15 minutes (60 gallons) (model GXWH04F).

### Timer Installation and Application Instructions



#### Timer battery installation and change

Insert coin or screwdriver into the slot between timer cap and base. Gently pry them open and separate timer base from cap. Install or change 2 new AAA 1.5-volt batteries. After you have the batteries in place, line up the base and cap and snap them back together.

It is recommended to change the batteries at least every 2 filter changes, or when the blue LED light seems dim.

Do not mix old and new batteries. Do not mix alkaline, standard (carbon-zinc) or rechargeable (ni-cad, ni-mh, etc.) batteries.

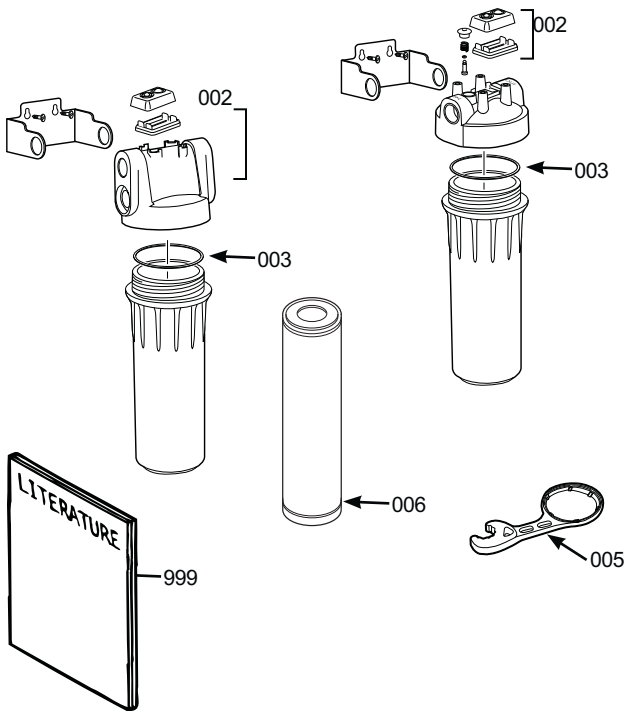
#### Installation of timer

Hold the timer body in the center and gently push the timer to its seat at the top of the head or attach it in a remote location for easy viewing.

#### Timer reset and application

After new batteries are installed or filter is changed, push and hold the blue timer reset button (hold the reset button for approximately 5 seconds). Release the reset button after the light stops flashing. The timer has been reset. The light will flash again in 90 days to remind you that it is time to change the filter.

## PARTS LIST



Ref. No.	Part No.	Part Description	G X W H 0 4 F	G X W H 2 0 S
002	WHTIMER	Timer	1	1
003	WS03X10038	O-Ring	1	1
005	WX5X140	Housing Wrench	1	1
006	FXUSC (Rev. 2)	Filter Element—Polypropylene Fiber	—	1
	FXWPC	Filter Element—Pleated	—	—
	FXWTC (Rev. 2)	Filter Element—Carbon Paper	—	—
999	49-50202-3	Installation Instructions	1	1

To obtain replacement parts, call toll-free 877.959.8688 (U.S.), 800.661.1616 (Canada).

### LIMITED ONE-YEAR WARRANTY

- What does this warranty cover?
  - Any defect in materials or workmanship in the manufactured product.
- What does this warranty not cover?
  - Filter Cartridges.
  - Service trips to your home to teach you how to use the product.
  - Improper installation, delivery or maintenance.
  - Failure of the product if it is abused, misused, altered, used commercially or used for other than the intended purpose.
  - Use of this product where water is microbiologically unsafe or of unknown quality, without adequate disinfection before or after the housing\*. Housings certified for cyst reduction may be used on disinfected water that may contain filterable cysts.
- \*The term "housing" means the combination of the head and filter canister which together form a filter pressure vessel.
  - Damage to the product caused by accident, fire, floods or acts of God.
  - **Incidental or consequential damage caused by possible defects with this appliance, its installation or repair.**
- For how long after the original purchase?
  - One (1) year.

- How do I make a warranty claim?
  - Return to the retailer from which it was purchased, along with a copy of the "Proof of Purchase." A new or reconditioned unit will be provided. This warranty excludes the cost of shipping the product to your home.

**EXCLUSION OF IMPLIED WARRANTIES—Your sole and exclusive remedy is product exchange as provided in this Limited Warranty. Any implied warranties, including the implied warranties of merchantability or fitness for a particular purpose, are limited to one year or the shortest period allowed by law.**

**This warranty is extended to the original purchaser and any succeeding owner for products purchased for home or office use within the USA. In Alaska, the warranty excludes the cost of shipping or service to your home or office.**

**Some states do not allow the exclusion or limitation of incidental or consequential damages. This warranty gives you specific legal rights, and you may also have other rights, which vary from state to state. To know what your legal rights are, consult your local or state consumer affairs office or your state's Attorney General.**

**Contact us at [GEAppliances.com](http://GEAppliances.com), or call toll-free at 800.432.2737 in the U.S., or 800.561.3344 in Canada.**





# Instructions d'installation

# Système de filtration d'eau GXWH04F and GXWH20S

## MESURES DE SÉCURITÉ

- Consulter le service local des travaux publics au sujet des codes de plomberie et de raccordement aux égouts. L'installation du système de filtration d'eau doit être conforme aux prescriptions du code de plomberie local. On recommande qu'un installateur qualifié soit chargé de l'installation.
- Vérifier que l'eau à traiter est conforme aux Conditions d'utilisation—Spécifications. Si les caractéristiques de l'eau à traiter ne sont pas connues, contacter le service municipal de distribution d'eau.

- ⚠ AVERTISSEMENT** Ne pas utiliser ce produit avec de l'eau microbiologiquement polluée ou de qualité inconnue sans avoir installé un dispositif de désinfection approprié avant ou après le système de corps.
- On recommande fortement l'installation d'un robinet d'arrêt directement en amont du système de filtration.

## INSTRUCTIONS D'INSTALLATION

Avant toute utilisation, on doit installer le système de filtration d'eau (usage domestique) soit à un emplacement adéquat conformément aux instructions d'installation.

- Consulter le service local des travaux publics au sujet des codes de plomberie. L'installation du système de filtration d'eau doit être conforme aux prescriptions du code de plomberie local.
- Utiliser le système de filtration d'eau uniquement sur une canalisation d'eau potable FROIDE. Les cartouches de filtration ne purifient pas l'eau et ne peuvent rendre potable une eau qui ne l'est pas.
- Protéger le système de filtration d'eau et la tuyauterie contre le gel. La congélation d'eau dans le corps lui fera subir des dommages.
- Le système de système de filtration d'eau peut résister à une pression maximale de 861,6 kPa (125 lb/po<sup>2</sup>). Si la pression de distribution locale est supérieure à 551,5 kPa (80 lb/po<sup>2</sup>) durant la journée (elle peut atteindre un niveau plus élevé la nuit), installer un robinet de réduction de pression en amont du système de filtration d'eau.

- Ne pas installer le logement sur une canalisation **D'EAU CHAUDE**. La température de l'eau à filtrer pour service rigoureux doit être située entre 4,4°C (40°F) (minimum) et 37,7°C (100°F) (maximum). Voir les Caractéristiques complètes.
- Lors de l'installation du système de filtration d'eau, **ne pas** utiliser des raccords de cuivre à souder. La chaleur émise lors de l'opération de soudage fera subir des dommages au système. Si vous faites une installation en cuivre soudé, faites ressuer toute la soudure avant de connecter les tuyaux au corps. La chaleur du chalumeau endommagera les pièces en matière plastique.

- ⚠ AVERTISSEMENT** Éliminer en sécurité les petites pièces qui peuvent rester inutilisées après l'installation; elles peuvent susciter un danger d'étouffement pour les jeunes enfants.
- **Ne pas** installer le filtre à l'extérieur ou à un endroit exposé au rayonnement solaire.

### OUTILLAGE ET ACCESSOIRES REQUIS POUR L'INSTALLATION

- 2 clefs : 1½ po et 1¼ po
- Coupe-tuyau ou scie à métaux
- Mètre ruban ou mètre règle
- Perceuse sans cordon et mèche de 3/16" (en option)
- Lime
- Papier Émeri
- Tournevis
- (2) Adapteurs de compression de 3/4 po avec la bague et l'écrou (compatibles avec les tuyauteries de votre domicile)
- Attaches de mise à la masse homologuées UL et fil de mise à la masse de calibre 6
- Ruban en Téflon®
- Si l'appareil est installé sur une tuyauterie en plastique, PVC ou métal galvanisé, il sera nécessaire d'acheter du matériel distinct.

### ARTICLES FOURNIS AVEC LE PRODUIT

- Corps de filtre et tête de filtre
- Brochures descriptives
- Filtre à sédiments FXUSC (Rév. 2) (uniquement pour GXWH20S)
- Clé de cartouche
- Support de montage
- Minuterie et piles



Le filtre FXUSC (Rev.2) est certifié par IAPMO R&T conformément à la norme 42 NSF/ANSI Standard 42 uniquement pour les exigences matérielles.

COMPOSANTE

Ce GXWH04F a et certifié par IAPMO R&T conformément aux normes NSF/ANSI 42 uniquement pour les exigences d'intégrité et structurelles.

COMPOSANTE

Le système GXWH20s utilisant un filtre FXUSC (Rev. 2), a certifié par IAPMO R&T conformément aux normes NSF/ANSI 42 uniquement pour la réduction des substances particulières de classe V et selon les normes CSA B483.1

## LA CARTOUCHE DE FILTRATION

### Feuille de données de rendement

Le système GXWH20S utilisant le filtre FXUSC (Rev. 2) a été essayé conformément à la norme NSF/ANSI 42 pour la réduction des substances énumérées ci-dessous. La concentration des substances indiquées, dans l'eau entrant dans le système, est inférieure ou égale à la limite permise pour l'eau quittant le système, telle que précisée par la norme NSF/ANSI 42. Bien que les essais aient été réalisés dans des conditions idéales de laboratoire, le rendement réel peut varier.

SUBSTANCE	CONCENTRATION DÉFI DE L'AEU QUI ENTRE	BESOINS DE RÉDUCTION
Particules, Particules Classe V 30 à <50	Au moins 1,000 particules/mL	> +85%

Alimentation de service cotée : 8 GPM  
Pression : 137,8 à 861,8 kPa (20 à 125 lb/po<sup>2</sup>)  
Température : 4,4 à 37,7 °C (40 à 100 °F)

### Cartouches de filtre de rechange

Débit nominal en service : 4 gal./min

La longévité en service des cartouches de filtration du corps dépend de diverses variables comme :

- concentration de sédiments et autres substances indésirables.
- volume de consommation d'eau.
- type d'utilisation (filtration de la totalité ou d'une partie seulement de l'eau consommée).

MODÈLE	DIMINUTION	LONGÉVITÉ	DURÉE DE RINÇAGE	MATÉRIAU
FXUSC (Rev.2)	Sédiment	3 mois/ 16,000 gal*	30 min (120 gal)	Fibre de polypropylène
FXWPC	Sédiment*	3 mois/ 16,000 gal*	15 min (60 gal)	Plissage
FXWTC (Rev.2)	Sédiment*, Goût et odeur de Chlore	3 mois/ 700 gal	5 min (20 gal)	Carbone/papier
FXWSC	Sédiment*	3 mois/ 16,000 gal*	15 min (60 gal)	Fabrication en fil bobiné

\*Allégations non émises par la NSF. Basé uniquement selon les essais du fabriquant.

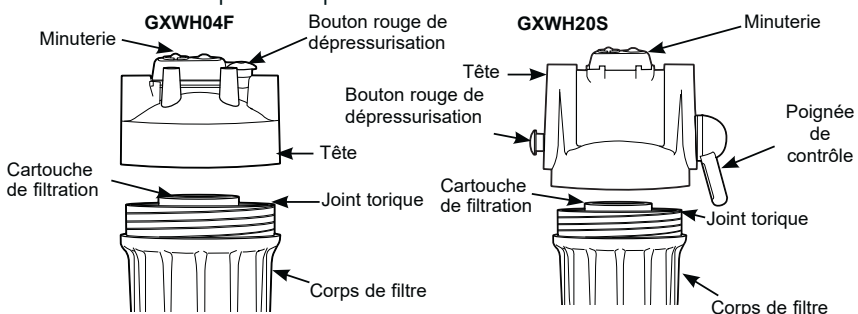
### Remplacement de la cartouche de filtration

On doit changer la cartouche de filtration lorsque le débit d'eau diminue sensiblement, et au moins à intervalles de trois mois.

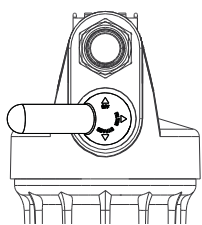
1. Fermer l'arrivée d'eau au filtre. Pour le modèle GXWH04F, on doit fermer le robinet d'arrêt en amont. Pour le modèle GXWH20S, placer la poignée de contrôle en position de dérivation ou d'arrêt. (Consultez Poignée de contrôle.)
2. Dépressuriser le système: appuyer sur le bouton rouge.
3. Dévisser le corps de filtre; jeter la vieille cartouche. Laver le corps de filtre avec de l'eau et un savon doux. **Ne pas** utiliser de l'eau chaude ou un produit de nettoyage énergique.
4. Inspecter le joint torique du corps de filtre. Assurez-vous que le joint torique soit légèrement lubrifié avec de la graisse de silicone alimentaire (vous trouverez la graisse de silicone au service de pièces et d'entretien GEA, en téléphonant au 1.800.626.2002, numéro de pièce WS60S10005). Assurez-vous que le joint torique repose bien dans le sillon. Remplacer le joint torique s'il est endommagé.
5. Placer la nouvelle cartouche de filtration dans le corps de filtre; placer correctement et bien centrer la cartouche sur le joint du fond.
6. Revisser le corps de filtre sur la tête. Serrez bien la cartouche à filtre pour le sceller. Le cas échéant, utilisez une clé à cartouche.

7. Tournez lentement la poignée de commande vers la position FILTER (pour le modèle GXWH20S) ou ouvrez lentement le robinet de sectionnement en amont (pour le modèle GXWH04F).
8. Appuyer sur le bouton rouge pour permettre l'évacuation de l'air piégé.
9. **Lors de la première installation du système**, ouvrez tous les robinets en aval et laissez le système se rincer pendant 30 minutes (454 l [120 gal]) (pour le modèle GXWH20S) ou 15 minutes (227 l [60 gal]) (pour le modèle GXWH04F).

**Consultez les durées de rinçage de chaque filtre** dans le tableau ci-dessus pour le remplacement du filtre.

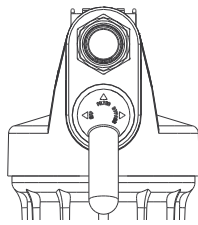


### Poignée de contrôle (modèle GXWH20S seulement)



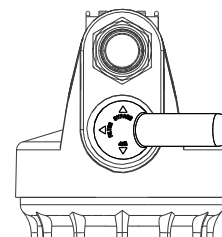
**OFF (arrêt)**

- Coupe l'eau.



**FILTER (filtre)**

- Pour obtenir de l'eau filtrée. Fait passer l'eau par le filtre.



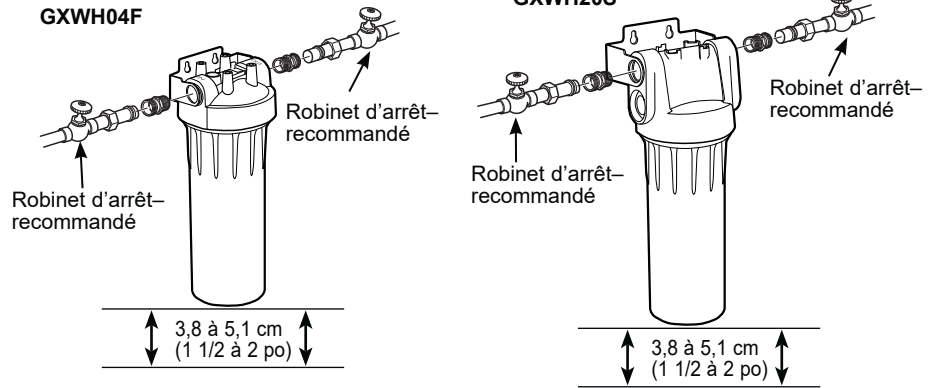
**BYPASS (dérivation)**

- Permet la circulation d'eau à la maison sans la faire passer par le filtre. Utilisez cette position pour changer le filtre ou si vous n'avez pas besoin d'eau filtrée.

## ÉTAPES DE L'INSTALLATION

### Illustration de l'installation

**NOTE:** Veiller à ce qu'il y ait un espace libre d'au moins 3,8 à 5,1 cm (1 1/2 à 2 po) sous le filtre pour l'extraction du logement de filtre lors du changement de la cartouche.



### Emplacement d'installation

Choisir l'emplacement approprié comme suit :

- pas d'exposition au gel.
- pas d'exposition au rayonnement solaire direct.

On recommande d'installer un robinet d'arrêt de chaque côté du filtre.

Nous vous recommandons d'utiliser un support de montage.

### Sectionnement de la canalisation d'eau

#### ⚠ AVERTISSEMENT

Une canalisation d'eau froide en cuivre ou en acier galvanisé peut être utilisée pour la mise à la terre des prises d'alimentation électrique dans la maison. Le défaut de maintenir ce trajet de mise à la terre peut entraîner un risque d'électrocution. Si la canalisation d'eau froide est utilisée pour la mise à la terre des prises d'alimentation électrique, veuillez consulter la section Installation du fil de mise à la terre avant de couper la canalisation.

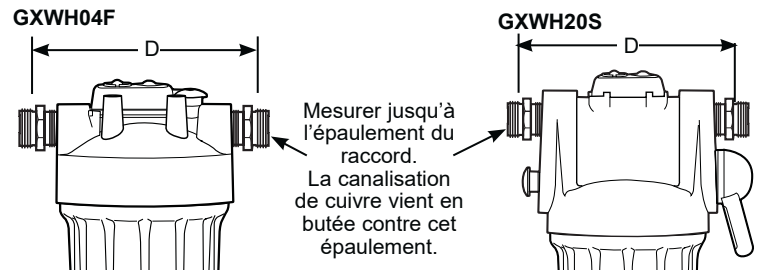
1. Fermer l'arrivée d'eau et ouvrir un robinet pour purger l'eau des tuyauteries.
2. À l'aide d'un ruban-mètre ou d'une règle, mesurer la distance «D» indiquée sur l'illustration.

■ **NOTE:** On recommande d'installer un robinet d'arrêt avant et après le filtre—voir l'illustration de l'installation.

■ Choisissez un emplacement sécuritaire pour installer le filtre et le support de montage. Cet emplacement doit aligner le corps de filtre aux conduites d'entrée et de sortie et ne doit pas courber les conduites. Marquer la distance «D» sur la tuyauterie. La distance «D» est égale à 13,3 cm (5¼ po) pour le modèle GXWH04F et à 14,6 cm (5¾ po) pour le modèle GXWH20S.

3. Avec un coupe-tuyau ou une scie à métaux, couper la canalisation. Poncer à chaque extrémité pour éliminer les bavures.

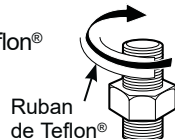
■ **NOTE:** Préparez un seau et une serviette pour recueillir l'eau qui déborde.



### Pose des raccords et le support de montage

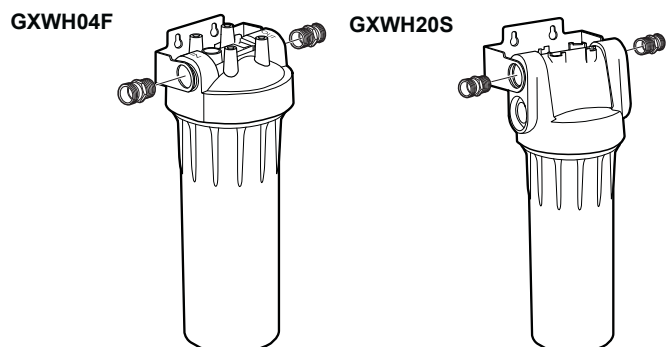
Les instructions sont destinées à l'installation des raccords fournis avec le filtre (pour certains modèles) ou le WHKIT à la tuyauterie en cuivre de 1,9 cm (3/4 po). Si le matériau de la canalisation est différent (plastique, PVC, acier galvanisé), il sera nécessaire de faire l'achat de quincaillerie différente. Voyez les instructions couvrant le matériel complémentaire acheté ou consultez un plombier qualifié.

1. Enrouler environ 30,5 cm (12 po) de ruban de Teflon® (sens horaire) sur le filetage de chaque raccord d'adaptation. **NE PAS** utiliser un composé d'étanchéité.



2. Utilisez le support comme guide pour trouver les deux emplacements de vis. Des vis à bois sont fournies. Si vous montez l'appareil sur une autre surface, utilisez les vis adéquates.

3. Percez un trou de 0,5 cm (3/16") à chaque emplacement de vis marqué (en option). Puis, vissez les deux vis à bois jusqu'à ce qu'environ 0,6 cm (1/4 po) du pas de vis. Assurez-vous qu'au moins une vis est fixée dans un montant de cloison.
4. Installer une adaptateur par le trou du support de montage sur la tête du filtre, à l'entrée et à la sortie. Commencer le vissage à la main et veiller à ne pas détériorer le filetage. Serrer ensuite avec une clé de 2,9 cm (1 1/8 po). **NE PAS SERRER EXCESSIVEMENT.**

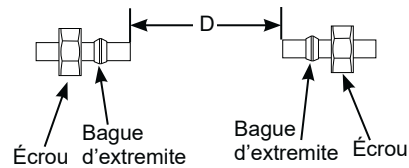




## ÉTAPES DE L'INSTALLATION (suite)

### Installation des raccords sur la canalisation

1. Sur chaque tuyau, enfiler l'écrou de compression.
2. Enfiler ensuite la bague d'extrémité sur chaque tuyau.



### Installation du filtre

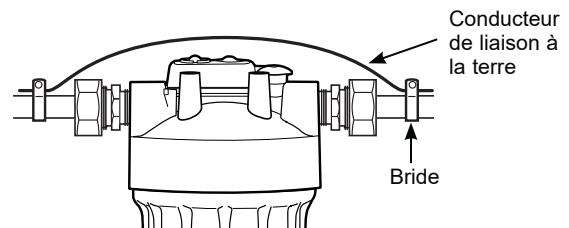
1. Aligner le filtre avec les deux sections de la canalisation; veiller à ce que la canalisation **d'arrivée** soit placée devant l'entrée du filtre, marquée «IN». Il peut être nécessaire d'écarter les deux sections de la tuyauterie pour installer le filtre.
2. Immobiliser le raccord avec une clé de 1½ po, et serrer l'écrou avec une clé de 1¼ po. Répéter ceci pour chaque raccord.
3. Accrochez le support de montage avec l'appareil dans les vis déjà installées. Le cas échéant, mettez deux vis pour bien fixer l'appareil au mur.
4. Installez un filtre dans le corps et serrez la cartouche sur le joint (consultez la section Remplacement de la cartouche de filtre).

### Installation du conducteur de liaison à la terre

**NOTE:** Si les tuyauteries de votre domicile sont en plastique, elles ne peuvent être utilisées pour une liaison à la terre, dans ce cas, ignorez cette étape.

**IMPORTANT:** Fréquemment, on utilise un tuyau d'eau froide en cuivre ou en métal galvanisé pour effectuer une liaison à la terre des prises électriques de la maison. **Cette mise à la masse vous protège contre les chocs électriques** et cette liaison à la terre peut avoir été neutralisée par le logement du filtre d'eau. Pour rétablir la connexion, montez un fil en cuivre de 12 po et de calibre 6 le long du filtre, lequel sera fixé solidement au moyen d'attaches en bronze homologuées par UL de dimensions variant entre 1/2 po – 1 po à chaque extrémité comme indiqué. N'utilisez pas d'attaches en zinc sur le cuivre. Il est possible d'acquiescer le fil et les attaches séparément chez votre quincaillier.

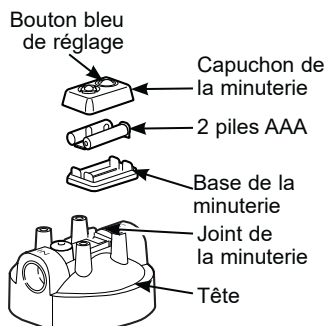
1. Nettoyez la tuyauterie en cuivre et les extrémités du fil avec du papier Émeri. Il est recommandé de dénuder le fil. Si le fil est isolé, il faut le dénuder sur une longueur de 3/4 po à chaque extrémité avant de les passer au papier Émeri.
2. Placez les attaches en bronze sur la tuyauterie en cuivre. Serrez les vis.
3. Fixez le fil sur les attaches comme indiqué. Serrez les vis.



### Inspection finale

1. Installez le filtre si vous ne l'avez pas encore fait. (Voir la partie de Remplacement de la cartouche de filtre).
2. Ouvrir doucement l'arrivée d'eau.
3. Inspecter l'ensemble du système pour rechercher les fuites.
4. Si les raccords coulent, fermer l'arrivée d'eau et resserrer les raccords ou améliorer leur étanchéité. Si la cartouche coule, serrez-la avec la clé.
5. Ouvrir un robinet en aval, et effectuer un rinçage du filtre et du corps pendant 30 minutes (modèle GXWH20S) ou 15 minutes (modèle GXWH04F).

### Instructions d'installation et de réglage de la minuterie



#### Installation et remplacement de la pile de la minuterie

Insérez une pièce ou un tournevis entre le capuchon de minuterie et sa base. Ouvrez doucement en faisant levier et séparez la base de la minuterie de son capuchon. Tirez la base de la minuterie afin de la séparer du capuchon de la minuterie. Séparez la base et le capuchon. Installez ou remplacez les deux piles AAA 1,5 volt. Après avoir mis les piles en place, alignez la base et le capuchon et fixez-les ensemble.

Nous vous recommandons de changer les piles au moins tous les deux changements de filtre ou quand la lumière bleue de la diode électroluminescente semble s'affaiblir.

Ne mélangez pas des piles usées avec des neuves, ni des piles alcalines avec des piles standard (carbone-zinc) ou rechargeables (ni-cad, ni-mh, etc.).

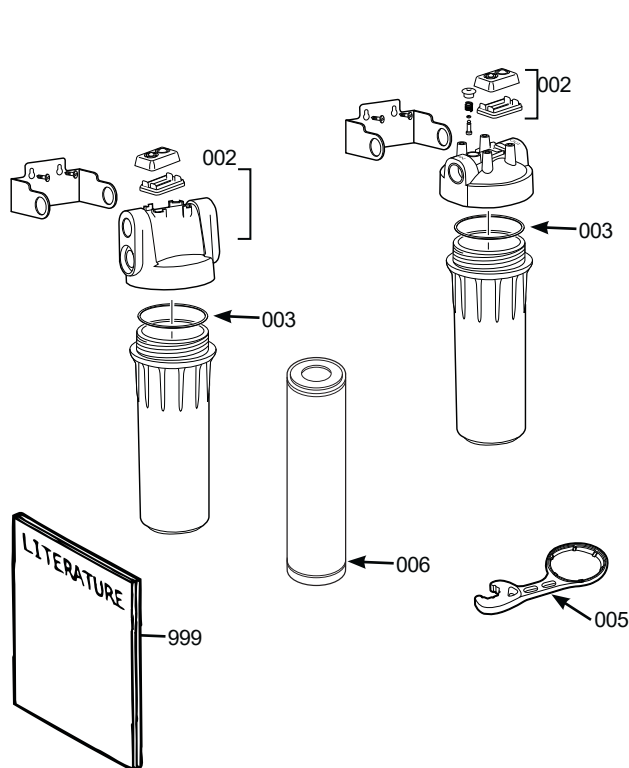
#### Installation de la minuterie

Tenez la minuterie de au centre et poussez doucement la minuterie jusqu'à ce qu'elle soit fixée en haut de la tête, ou fixez-la dans un emplacement éloigné où vous pourrez la lire facilement.

#### Réglage de la minuterie et application

Après avoir installé de nouvelles piles et changé les filtres, le bouton bleu de réglage de la minuterie (appuyez sur le bouton de réglage pendant environ 5 secondes). Relâchez le bouton de réglage à zéro quand la lumière s'arrête de clignoter. La minuterie est remise. La lumière se remettra en marche dans 90 jours pour vous rappeler de changer votre filtre.

## LISTE DES PIÈCES



N° de repérage	Pièce n°	Description	G X W H 0 4 F	G X W H 2 0 S
002	WHTIMER	Minuterie	1	1
003	WS03X10038	Joint torique	1	1
005	WX5X140	Clé pour corps de filtre	1	1
006	FXUSC (Rév. 2)	Cartouche de filtration— fibre de polypropylène	—	1
	FXWPC	Élément de filtre – plissé	—	—
	FXWTC (Rév. 2)	Élément de filtre : au charbon	—	—
999	49-50202-3	Instructions d'installation	1	1

Pour obtenir des pièces de rechange, composez sans frais le 877.959.8688 (États-Unis), le 800.661.1616 (Canada)

### GARANTIE LIMITÉE D'UN AN

- Que couvre la garantie?
  - Tout défaut de matériel ou de main d'oeuvre du produit.
- Q'est-ce qui n'est pas couvert par la garantie?
  - Les cartouches de filtre.
  - Les déplacements à votre domicile pour vous enseigner comment utiliser le produit.
  - Une installation, remise ou entretien incorrecte.
  - Une panne du produit causée par un abus d'utilisation, une mauvaise utilisation, toute modification, exploitation commerciale ou une utilisation du produit dans un but non prévu.
  - Utilisation de ce produit lorsque l'eau est microbiologiquement impure ou de qualité inconnue sans qu'une désinfection adéquate n'ait eu lieu avant l'entrée et sortie dans le corps\*. Les corps homologués pour une réduction des microbes peuvent être utilisés après désinfection de l'eau pouvant contenir des microbes filtrables.

\*Le mot "corps" signifie la combinaison de tête et de cartouche de filtre qui forment ensemble le récipient de filtre à pression.

  - Tout dommage causé au produit par accident, incendie, inondation ou acte de Dieu.
  - Tout dommage fortuit ou indirect causé par des défauts éventuels de cet appareil, son installation ou les réparations effectuées.
- Quelle est la durée de la garantie après l'achat?
  - Un an.

- Comment dois-je faire ma réclamation?
  - Ramenez le produit au magasin où vous l'avez acheté avec une exemplaire de la "Preuve d'achat". Une unité neuve ou remise à neuf sera fournie. Cette garantie exclut les coûts d'expédition ou les déplacements de service à votre domicile.

**EXCLUSION DE GARANTIES IMPLICITES—Votre seul et unique recours est l'échange du produit selon les dispositions de cette Garantie limitée. Toutes les garanties implicites, incluant les garanties de commercialité et d'adéquation à un usage spécifique, sont limitées à une année ou à la période la plus courte autorisée par la législation.**

Cette garantie limitée couvre l'acheteur original et tout propriétaire subséquent des produits achetés à des fins résidentielles ou de bureau à l'intérieur des États-Unis. En Alaska, cette garantie limitée exclut le coût d'expédition ou les appels de service à votre maison ou bureau.

Certains États ne permettent pas l'exclusion ou la restriction des dommages accessoires ou consécutifs. Cette garantie limitée vous donne des droits juridiques particuliers, mais vous pouvez également avoir d'autres droits qui varient d'État à État. Pour connaître vos droits juridiques, consultez le bureau de protection du consommateur de votre localité, de votre État ou le procureur général de votre État.

Contactez nous sur [GEAppliances.com](http://GEAppliances.com), ou appelez le numéro sans frais 800.432.2737 aux États-Unis. Au Canada, contactez nous sur [electromenagersge.ca](http://electromenagersge.ca), ou appelez le numéro sans frais 800.561.3344.



# INSTRUCCIONES DE INSTALACION

# Sistema de filtración de agua para el hogar GXWH04F and GXWH20S

## PRECAUCIONES DE SEGURIDAD

- Consulte con su departamento de obras públicas local y estatal para los códigos de plomería y sanidad. Usted debe seguir estas reglas a medida que instale el alojamiento de filtración de agua para el hogar. El uso de un instalador calificado es recomendado.
- Asegúrese que el abastecimiento de agua cumple con las Datos del desarrollo. Si las condiciones del abastecimiento de agua son desconocidas, póngase en contacto con su compañía de agua municipal.

### ⚠ ADVERTENCIA

No use con agua que no sea segura a nivel microbacteriológico o de calidad desconocida sin una adecuada desinfección del sistema en forma previa o posterior.

- Es altamente recomendado que la válvula de cierre sea colocada directamente hacia arriba de su filtro de hogar.

## INSTALACION CORRECTA

Este Sistema de filtración de agua para el hogar debe ser instalado y ubicado correctamente de acuerdo con las instrucciones de instalación antes de ser usado.

- Consulte los códigos de plomería en el departamento de obras públicas estatal y local. Deberá seguir sus instrucciones sobre la instalación del alojamiento de filtración de agua extrafuerte.
- Use el alojamiento de filtración de agua extrafuerte en un suministro de agua corriente FRÍA, potable y segura para beber. El cartucho del filtro no purificará el agua o hará que el agua que no sea buena sea potable.
- Proteja el alojamiento de filtración de agua para el hogar y las cañerías de la congelación. El que se congele en el alojamiento lo dañará.
- Su alojamiento de filtración de agua extrafuerte soportará hasta 861,8 kPa (125 psi) de presión de agua. Si la presión de agua de su casa es de más de 551,5 kPa (80 psi) durante el día (podría alcanzar niveles más altos durante la noche), instale una válvula para reducir la presión antes de que el alojamiento sea instalado.

- No instale en **AGUA CALIENTE**. La temperatura de la línea de agua hacia el alojamiento de filtración de agua extrafuerte debe estar entre el mínimo de 4,4°C (40°F), y el máximo de 37,7°C (100°F). Vea las Datos del desarrollo. Vea la sección de Datos de Rendimiento.

- No instale el alojamiento de filtración de agua para el hogar usando uniones de cobre soldadas. El calor del proceso de las soldaduras dañará la unidad. Si se encuentra haciendo una soldadura de cobre soldado, haga toda la soldadura de condensación antes de conectar las tuberías al alojamiento. La antorcha dañará las partes plásticas.

### ⚠ ADVERTENCIA

Bote todas las partes y los materiales de empaque sin usar después de la instalación. Las partes pequeñas que sobren después de la instalación podrían ser un peligro para atragantarse.

- No instale el filtro en una ubicación exterior o en un lugar donde esté expuesto a la luz del sol.

## HERRAMIENTAS Y ACCESORIOS QUE SENEESITAN PARA LA INSTALACIÓN

- 2 llaves inglesas: 1 1/8" y 1 1/4"
- Cortador de tubos o sierra para metales
- Regla o cinta métrica
- Taladro sin cordón y una broca de 3/16" (opcional)
- Lima
- Papel de esmeril
- Destornillador
- (2) Adaptadores de compresión de tuerca de 3/4" con abrazadera de refuerzo y tuerca (compatible con la plomería hogareña)
- Abrazaderas de toma de tierra aprobadas por UL y cable de toma de tierra de cobre calibre 6
- Cinta de teflón®
- Si la unidad es para ser instalada en plástico, pvc o tubería galvanizada, deberá

comprar por separado más herramientas.

## CONTENIDOS INCLUIDOS CON EL PRODUCTO

- Caja y cabeza del filtro
- Literatura del producto
- Filtro para sedimento FXUSC (Rev. 2) (para GXWH20S solamente)
- Llave para el receptáculo
- Soporte de montaje
- Cronómetro y baterías



El filtro FXUSC (Rev. 2) es certificado por IAPMO R&T contra los Estándares NSF/ANSI 42 para los requisitos de materiales solamente.

COMPONENTE



Este GXWH04F es certificado por la IAPMO R&T contra el Estándar 42 NSF/ANSI para materiales y requisitos de integridad estructural solamente.

COMPONENTE



La Sistema GXWH20S usando un filtro FXUSC (Rev. 2) es certificado por la IAPMO R&T contra el Estándar 42 NSF/ANSI para reducción de las partículas Clase V y acuerdo con CSA B483.1.

# LOS CARTUCHOS DEL FILTRO

## Hoja de datos de desarrollo

El sistema GXWH20S usando un filtro FXUSC (Rev. 2) ha sido probado conforme con las normas NSF/ANSI 42 para la reducción de las sustancias enumeradas más adelante. La concentración de las sustancias indicadas en el agua que entra al sistema fue reducida a una concentración menor que o igual al límite permisible para el agua que sale del sistema, conforme a lo especificado en NSF/ANSI 42. Aunque la prueba fue llevada a cabo bajo condiciones de laboratorio estándares, el desarrollo real podría variar.

SUSTANCIA	RETO DE CONCENTRACIÓN DEL AGUA ENTRADO AL SISTEMA	REQUISITOS DE REDUCCIÓN
Partículas, Partículas Clase V 30 á <50	Por lo menos 1,000 partícles/mL	> +85%

Flujo de servicio clasificado: 4 gpm (15,1 Lpm),  
 Presión: 20–125 PSI (137,8–861,8 kPa)  
 Temperatura: 40°F–100°F (4,4°C–37,7°C)

## Cartuchos de filtro de reemplazo

Varias variables determinan cuánto tiempo durará el cartucho en su alojamiento de filtración de agua para el hogar. Estos incluyen:

- niveles de sedimento u otras sustancias indeseables en su agua.
- la cantidad de agua que use.
- la ubicación del filtro (filtrando toda o parte del agua del hogar).

Valor de paso de servicio: 4 gpm

MODELO GE APPLIANCES	REDUCE	VIDA	Tiempo que se debe dejar correr agua	CONSTRUCCION
FXUSC (Rev.2)	Sedimento	3 meses/16,000 galones*	30 minutos (120 galones)	Fibra de polipropileno
FXWPC	Sedimento*	3 meses/16,000 galones*	15 minutos (60 galones)	Plegado
FXWTC (Rev.2)	Sédiment*, Sabor y olor de Cloro	3 meses/700 galones	5 minutos (20 galones)	Papel carbón
FXWSC	Sedimento*	3 meses/16,000 galones*	15 minutos (60 galones)	Construcción con Hilo de Material Resistente Enrollado

\* Los reclamos no son corroborados por NSF. Sólo están basados en las pruebas del fabricante.

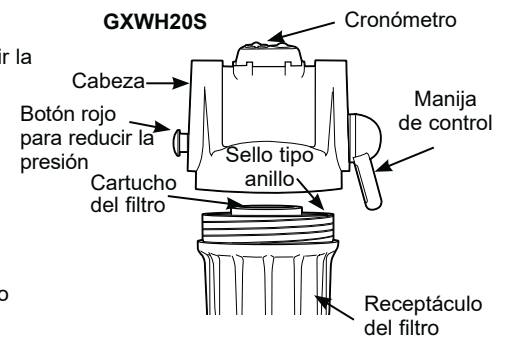
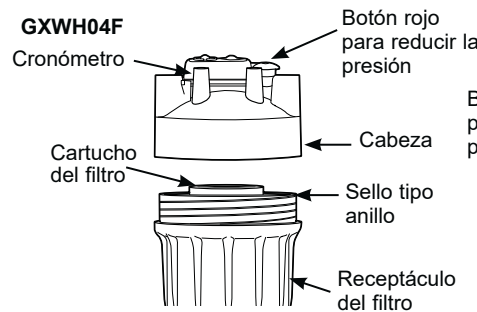
## Reemplazo del cartucho del filtro

Usted debería cambiar el filtro cuando el paso del agua disminuye notablemente o por lo menos cada tres meses.

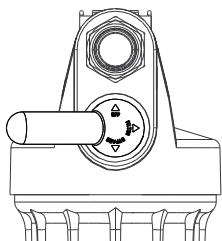
1. Cierre el paso del agua al filtro. Para el modelo GXWH04F, el agua se debe cerrar en una válvula paso arriba. Para el modelo GXWH20S, haga rotar la manija de control a la posición "bypass" o posición de apagado. (Ver la Manija de control.)
2. Empuje el botón rojo para reducir la presión para bajar la presión.
3. Desatornille el receptáculo y bote el filtro usado. Lave el receptáculo del filtro con un jabón suave y agua. **No** use limpiadores fuertes o agua caliente.
4. Inspeccione el anillo del receptáculo. Cerciórese de que está lubricado ligeramente con grasa de silicona apta para usar en alimentos (la grasa de silicona está disponible a través del departamento de Partes y Servicio de GE Appliances llamando al 1.800.626.2002, número de parte WS60S10005). Cerciórese de que el aro tórico está en la ranura. Se recomienda que cambie el anillo si está dañado.
5. Coloque un filtro nuevo en el receptáculo asegurándose de que esté centrado y completamente asentado sobre el fondo del sello.
6. Reinstale el receptáculo del filtro a la unidad. Apriete el cartucho del filtro para sellar. Use una llave de cartucho si es necesario.

7. Lentamente gire la manija del control a la posición FILTER (Filtro) (modelo GXWH20S) o lentamente abra la válvula de cierre (modelos GXWH04F).
8. Empuje el botón rojo para reducir la presión para sacar el aire atrapado.
9. **Para la instalación inicial del sistema**, abra un grifo de agua y deje que corra agua por el sistema del filtro durante 30 minutos (452 l [120 galones]) (modelo GXWH20S) o durante 15 minutos (227 l [60 galones]) (modelo GXWH04F).

**Para reemplazar el filtro**, consulte el cuadro anterior para conocer los tiempos que se debe dejar correr agua en cada filtro individual

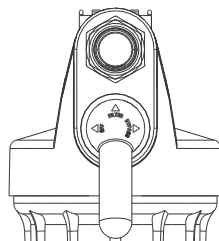


## Manija de control (modelo GXWH20S)



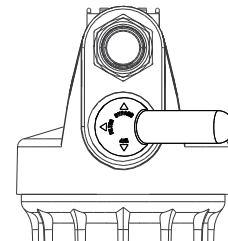
### OFF (apagado)

- Cierra el agua.



### FILTRO

- Para agua filtrada. Dirige el flujo del agua a través del filtro.



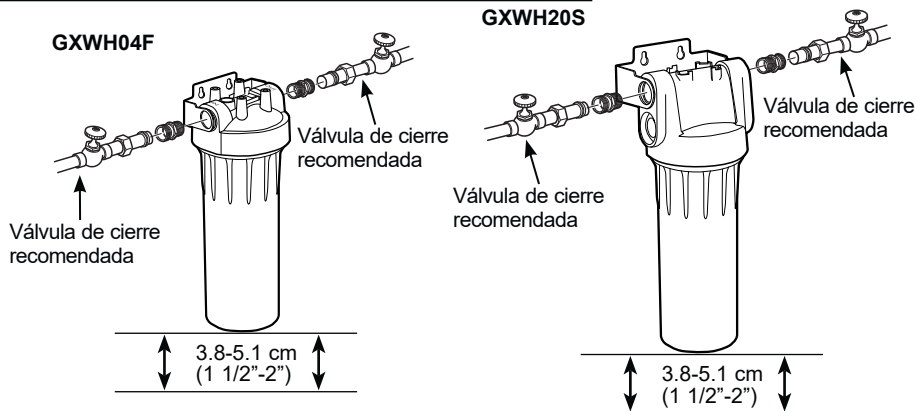
### DERIVACIÓN

- Permite el flujo del agua hacia la casa sin pasar por el filtro. Use esta posición para los cambios de filtro o si no se desea agua filtrada.

# INSTRUCCIONES DE INSTALACION PASO A PASO

## Sumario de la instalación

**NOTA:** Asegúrese de dejar un espacio mínimo de entre 3,8 a 5,1 cm (1 1/2" a 2") debajo del filtro para sacar el alojamiento del filtro al cambiar el cartucho.



## Seleccione la ubicación

Seleccione una ubicación para el filtro que esté:

- protegida de la congelación.
- que no esté expuesta a la luz directa del sol.

Se recomienda instalar una válvula de cierre en ambos lados del filtro.

Se recomienda el uso de un soporte de montaje.

## Corte de la línea de agua

### ▲ ADVERTENCIA

Una tubería de cobre o galvanizada de agua fría podría usarse para conectar a tierra los tomacorrientes eléctricos en la casa. No mantener esta conexión a tierra podría resultar en descargas eléctricas peligrosas. Si la tubería de agua fría es usada para conectar a tierra los tomacorrientes, por favor refiérase a la sección de Cómo instalar el cable a tierra antes de cortar la tubería.

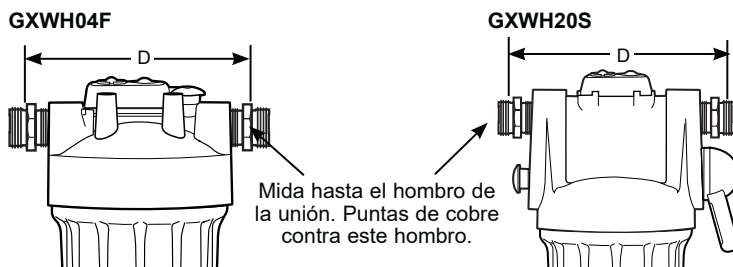
1. Cierre el paso del agua y abra una llave de agua cercana para sacar el agua de las cañerías.
2. Saque la tuerca y la férula de las dos uniones de compresión y póngalas a un lado. Usando una cinta para medir o una regla, mida la distancia "D" como se muestra.

■ **NOTA:** Se recomienda que la válvula de cierre sea colocada antes y después del filtro como se muestra en la ilustración Sumario de la Instalación.

- Seleccione una ubicación segura para instalar el filtro y el soporte de montaje. La ubicación debe alinear el alojamiento del filtro con las tuberías de entrada y salida y no debe causar que las tuberías se doblen. Marque la distancia "D" sobre el tubo. D es aproximadamente 13,3 cm (5 1/4") para el modelo GXWH04F y 4,6 cm (5 3/4") para el modelo GXWH20S.

3. Usando un cortador de cañerías o una sierra para cañerías, corte el tubo. Lije (lime) las puntas cortadas para asegurarse que estén cuadradas y suaves.

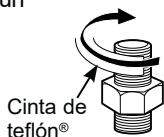
■ **NOTA:** Tenga una cubeta y una toalla disponible para coleccionar el agua excesiva



## Instalación de las uniones y el soporte de montaje

Las instrucciones son para instalar los accesorios que han sido proporcionados con el filtro (en algunos modelos) o la pieza WHKIT en una tubería de cobre de 1,9 cm (3/4"). Si la unidad va a ser instalada con cualquier otro tipo de tuberías (plástico, PVC, galvanizado), debe comprarse diferente tipo de herramienta. Lea las instrucciones para la compra adicional de herramientas, o consulte con un plomero calificado.

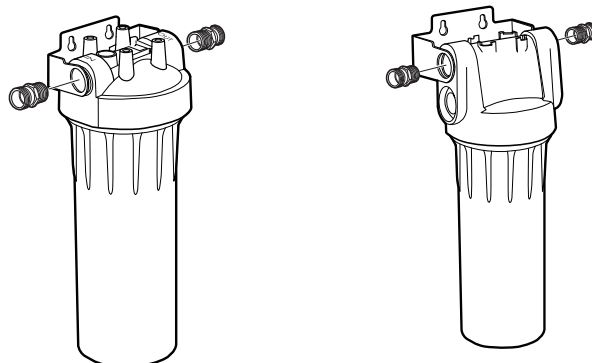
1. Aplique unas 30,5 cm (12") de cinta teflón®, en dirección del reloj, a los hilos del tubo (curso) de cada adaptador. **No** use compuestos para uniones sobre ninguna de las partes.
2. Use el soporte como una plantilla para encontrar la ubicación de los dos tornillos. Los tornillos de madera vienen incluidos. Si el montaje es sobre la otra superficie, use los instrumentos apropiados.
3. Taladre un agujero de 0,5 cm (3/16") en cada localización para agujero marcado (opcional), entonces introduzca los dos tornillos de madera hasta que quede 0,6 cm (1/4") de la rosca. Verifique que al menos un tornillo esté sujetado al remache de la pared.



4. Arme un adaptador a través del orificio del soporte de montaje en la entrada y la salida de la cabeza. Empiece cada unión con la mano para estar seguro que los hilos no se crucen. Use una llave inglesa de 1 1/2" firmemente. **NO APRIETE DEMASIADO.**

GXWH04F

GXWH20S

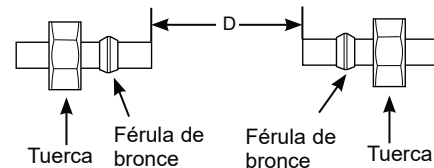




## INSTRUCCIONES DE INSTALACION PASO A PASO (cont.)

### Conecte las uniones a la línea del agua

1. Deslice una tuerca de compresión en cada cañería.
2. Luego, deslice la férula de bronce en cada cañería.



### Instalación de la unidad

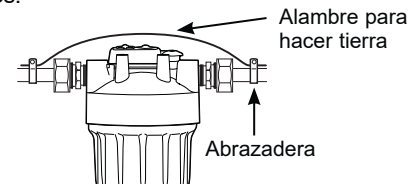
1. Ponga en línea el juego del filtro con las puntas de la cañería asegurándose que **la entrada** de la línea del agua vaya hacia la abertura marcada "IN". Podría ser necesario abrir las puntas de las cañerías para instalar el juego del filtro.
2. Usando una llave inglesa de 1½" para sujetar el adaptador en su lugar, use una llave inglesa de 1¼" para apretar la tuerca. Repita el proceso para las otras uniones.
3. Cuelgue la abrazadera de montaje con la unidad en los tornillos instalados previamente. Introduzca dos tornillos para asegurar la unidad firmemente en la pared si es necesario.
4. Instale un filtro en el alojamiento y apriete el cartucho para sellar (ver la Sección de Reemplazo del Cartucho del Filtro).

### Instalación del cable de tierra

**NOTA:** Si la tubería de su casa es de plástico no debería ser usada para efectuar la conexión de tierra, y este paso puede ser obviado.

**IMPORTANTE:** Una tubería de agua fría galvanizada interiormente o de cobre es usada muy a menudo para conectar a tierra los tomacorrientes eléctricos en las casas. **Una toma de tierra lo protege de descargas eléctricas.** El alojamiento del filtro de agua pudo haber interrumpido la trayectoria de tierra. Para restablecer la conexión, instale un cable de cobre de 12", de calibre 6 a través del filtro, fuertemente sujeto utilizando abrazaderas de tierra de bronce de 1/2" a 1" aprobada por UL en ambos extremos de la línea como se muestra en la ilustración. Usted no debe usar abrazaderas de cinc en tubería de cobre. El cable y las abrazaderas pueden ser compradas por separado en su ferretería local.

1. Limpie la tubería de cobre y los extremos del cable con papel de esmeril. Se recomienda que utilice cable desnudo. Si utiliza cable aislado, las puntas deberían estar desnudas de su protector, aproximadamente 3/4" antes de proceder a limpiarlas con papel de esmeril.
2. Sujete las abrazaderas de bronce a la tubería de cobre. Apriete los tornillos.
3. Sujete el cable a las abrazaderas tal como se muestra en la figura. Apriete los tornillos.

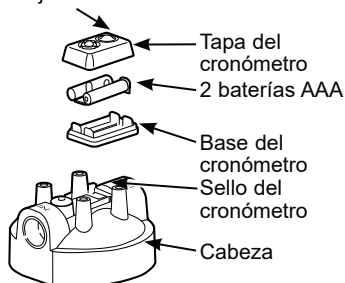


### Revisión final

1. Instale el filtro, si no lo ha hecho aún. (Vea la sección para Reemplazo del cartucho del filtro).
2. Lentamente abra el paso del agua.
3. Revise todo el sistema para que no hayan goteras.
4. Si existe alguna fuga de los accesorios, cierre la presión del agua o reselle las uniones. Si la fuga se origina en el cartucho, apriételo con una llave.
5. Abra cualquier llave de agua hacia abajo y permita que el filtro y el alojamiento de filtración se lave por 30 minutos (modelo GXWH20S) o 15 minutos (modelo GXWH04F).

### Instalación del cronómetro e instrucciones de reinicio

Botón azul de reajuste



#### Instalación y cambio de las baterías del cronómetro

Inserte una moneda o un destornillador en la ranura entre la tapa del sincronizador y la base. Suavemente abra haciendo palanca y separe la base del sincronizador de la tapa. Instale o cambie dos baterías AAA 1,5 voltios nuevas. Después de que las baterías estén en su lugar, alinee la base y la tapa y únalas nuevamente.

Se recomienda que usted cambie la batería por lo menos cada 2 cambios de filtro, o cuando la luz azul LED parezca opacarse.

No mezcle baterías nuevas y viejas. No mezcle baterías alcalinas, estándar (carbono-cinc) o recargables (ni-cad, ni-mh, etc.)

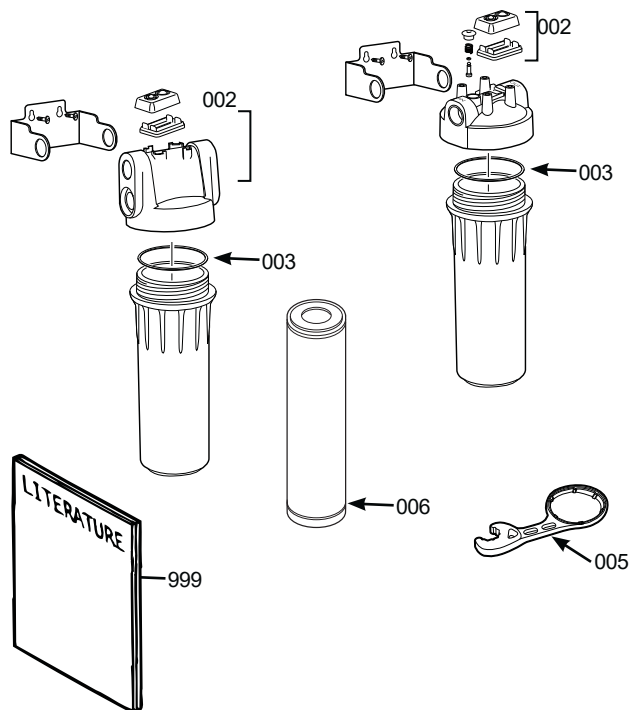
#### Instalación del cronómetro

Sostenga el cuerpo del cronómetro en el centro y suavemente empuje hacia su posición en la parte superior de la cabeza o péguela en una localización remota para verlo fácilmente.

#### Reinicialización y aplicación del cronómetro

Después de instalar las baterías nuevas o cambiar los filtros, botón de reajuste del sincronizador (sostenga apretado el botón de reajuste por 5 segundos). Libere el botón de reajuste después de que la luz se detenga de parpadear. El sincronizador se ha reajustado. La luz volverá a parpadear en 90 días para recordarle que debe cambiar el filtro.

## LISTA DE PARTES



No. de ref.	Parte No.	Descripción	G X W H 0 4 F	G X W H 2 0 S
002	WHTIMER	Cronómetro	1	1
003	WS03X10038	Anillo	1	1
005	WX5X140	Llave para receptáculo	1	1
006	FXUSC (Rev. 2)	Elemento de filtro—Fibra de polipropileno	—	1
	FXWPC	Elemento de filtro—Plegado	—	—
	FXWTC (Rev. 2)	Elemento de filtro—Papel carbón	—	—
999	49-50202-3	Instrucciones de Instalación	1	1

Para obtener partes de repuesto llame sin costo al 877.959.8688 (EE.UU.), 800.661.1616 (Canadá)

### GARANTÍA LIMITADA POR UN A—O

- ¿Qué cubre esta garantía?
  - Cualquier defecto de fábrica en los materiales o la manufactura del producto.
- ¿Qué no cubre esta garantía?
  - Cartuchos del filtro.
  - Viajes a su casa para enseñarle cómo usar el producto.
  - Instalación o entrega inapropiada, o mantenimiento impropio.
  - Fallas del producto si hay abuso, mal uso, o uso para otros propósitos que los propuestos, o uso para fines comerciales.
  - Uso de este producto donde el agua está microbiológicamente insegura o de calidad desconocida, sin la adecuada desinfección, antes y después de ser procesada por el alojamiento\*. Los alojamientos certificados para reducir el nivel de quistes pueden ser usados en agua desinfectada que pueda contener quistes que se puedan filtrar.

\*El término "alojamiento" significa la combinación de la cabeza y el cartucho del filtro los que juntos forman la vasija de presión del filtro.

  - Daños causados al producto debido a accidentes, incendio, inundaciones o actos de la naturaleza.
  - **Daños secundarios o por consecuencia causados por posibles defectos en el producto, su instalación o reparación.**
- ¿Por cuánto tiempo después de la compra?
  - Un año.

- ¿Cómo hago la reclamación de la garantía?
  - Devuélvala al minorista a quien le compró el producto con una copia de "Proof of Purchase" (prueba de compra). Se le proporcionará una unidad nueva o reacondicionada. Esta garantía excluye los costos de envío o llamadas de servicio a domicilio.

**EXCLUSIÓN DE GARANTÍAS IMPLÍCITAS—Su único y exclusivo derecho es el cambio del producto, tal y como se indica en esta Garantía limitada. Cualquier garantía implícita, incluyendo las garantías implícitas de comerciabilidad o adecuación para un fin determinado, están limitadas a un año o el periodo de tiempo más breve permitido por la ley.**

**Esta garantía se extiende al comprador original y cualquier comprador posterior de productos comprados para uso residencial o en la oficina dentro de Estados Unidos. En Alaska, la garantía excluye el costo de envío o las visitas de servicio a su casa u oficina.**

**Algunos estados no permiten la exclusión o las limitaciones de daños incidentales o consecuenciales. Esta garantía da derechos legales específicos, y usted podría tener otros derechos que variarán de estado a estado. Para saber cuáles son sus derechos legales, consulte a la oficina de asuntos del consumidor local o la oficina del Attorney General en su localidad.**

**Póngase en contacto con nosotros en [GEAppliances.com](http://GEAppliances.com), o llame sin cargo al 800.432.2737, o 800.561.3344 en Canada.**

## Notes