



REVERSE OSMOSIS FILTRATION SYSTEM

SAFETY INFORMATION3

SPECIFICATIONS5
 Performance Data6
 Arsenic Fact Sheet.....8

USING THE FILTRATION SYSTEM.....9

INSTALLATION INSTRUCTIONS
 Tools and Materials Required.....10
 Before Beginning Installation..... 11
 Mounting System Installation.....12
 Feed Water Supply13
 Faucet Assembly17
 Battery Installation.....18
 Filtration Drain Connection19
 Storage Tank and Startup.....21

CARE AND CLEANING
 Prefilter, Postfilter and
 RO Cartridge Replacement.....22
 Sanitization23
 Water Test Kit.....23

TROUBLESHOOTING TIPS..... 24

WARRANTY.....28

CONSUMER SUPPORT 30

**OWNER'S MANUAL
& INSTALLATION
INSTRUCTIONS**

PNRQ15RBL
PXRQ15RBL

ENGLISH/ESPAÑOL



PXRQ15RBL and PNRQ15RBL are Tested and Certified to NSF/ANSI Standards 58 and 42 and CSA B483.1 for the reduction of the claims as specified on the Performance Data Sheet.

Write the model and serial numbers here:

Model # _____

Serial # _____

You can find them on the bracket.

THANK YOU FOR MAKING GE APPLIANCES A PART OF YOUR HOME.

Whether you grew up with GE Appliances, or this is your first, we're happy to have you in the family.

We take pride in the craftsmanship, innovation and design that goes into every GE Appliances product, and we think you will too. Among other things, registration of your appliance ensures that we can deliver important product information and warranty details when you need them.

Register your GE appliance now online. Helpful websites and phone numbers are available in the Consumer Support section of this Owner's Manual. You may also mail in the pre-printed registration card included in the packing material.



IMPORTANT SAFETY INFORMATION

READ ALL INSTRUCTIONS BEFORE USING THE APPLIANCE

Read, understand, and follow all safety information contained in these instructions prior to installation and use of the GE Appliances Reverse Osmosis systems. Retain these instructions for future reference.

Intended use:

The GE Appliances Reverse Osmosis systems are intended for use in filtering potable water in Residential applications, and have not been evaluated for other uses. The system is typically installed at the point of use, and must be installed as specified in the installation instructions. Contact a plumbing professional if you are uncertain how to install.

SAFETY PRECAUTIONS

- Be sure the water supply conforms with the Specification Guidelines. If the water supply conditions are unknown, contact your municipal water company or your local health department for a list of contaminants in your area and a list of laboratories certified by your state to analyze drinking water.

▲ WARNING To reduce the risk associated with choking:

- **Do not** allow children under 3 years of age to have access to small parts during the installation of this product.

▲ WARNING To reduce the risk associated with the ingestion of contaminants:

- **Do not** use with water that is microbiologically unsafe or of unknown quality without adequate disinfection before or after the system. Systems certified for cyst reduction may be used on disinfected water that may contain filterable cysts.

▲ WARNING To reduce the risk associated with hazardous voltage due to an installer drilling through existing electric wiring or water pipes in the area of installation:

- **Do not** install near electric wiring or piping which may be in path of a drilling tool when selecting the position to mount the filter bracket.

▲ WARNING To reduce the risk of physical injury:

- Depressurize system as shown in manual prior to cartridge removal.

▲ WARNING To reduce the risk of physical injury due to hydro-pneumatic tank rupture:

- **Do not** install if water pressure exceeds 120 psi (827 kPa). If your water pressure exceeds 80 psi (552 kPa), you should install a pressure limiting valve. Contact a plumbing professional if you are uncertain how to check your water pressure.
- **Do not** install where water hammer conditions may occur. If water hammer conditions exist you should install a water hammer arrester. Contact a plumbing

professional if you are uncertain how to check for this condition.

- Where a backflow prevention device is installed on a water system, a device for controlling pressure due to thermal expansion should be installed.

▲ WARNING To reduce the risk associated with irritation from Sodium Metabisulphite during installation:

- Sodium Metabisulphite (CAS 007681-57-4) is used in a 1% preservative solution within the reverse osmosis membrane.
- To request an MSDS relating to this product call 800-364-3577 or visit the web at http://solutions.3m.com/wps/portal/3m/en_us/msds (click MSDS search). For emergencies, call 800-364-3577 or 651-737-6501 (24 hours).

▲ WARNING To reduce the risk associated with ingesting of water contaminated with sanitizer:

- After installation, sanitizer **MUST** be flushed from the system before first use as directed within the installation instructions.

This system has been tested for the treatment of water containing pentavalent arsenic (also known as As(V), As(+5) or arsenate) at concentrations of 0.050 mg/L or less. This system reduces pentavalent arsenic, but may not remove other forms of arsenic. This system is to be used on water supplies containing a detectable free chlorine residual or on water supplies that have been demonstrated to contain only pentavalent arsenic. Treatment with chloramine (combined chlorine) is not sufficient to ensure complete conversion of trivalent arsenic to pentavalent arsenic. Please see the Arsenic Facts section of the Performance Data Sheet for further information.

This reverse osmosis system contains a replaceable component critical to efficiency of the system. Replacement of the reverse osmosis component should be with one of identical specifications, as defined by the manufacturer, to assure the same efficiency and contaminant reduction performance.

READ AND SAVE THESE INSTRUCTIONS

IMPORTANT SAFETY INFORMATION

READ ALL INSTRUCTIONS BEFORE USING THE APPLIANCE

SAFETY PRECAUTIONS (continued)

■ Extended non-use of the Reverse Osmosis system.

If the system has not been used for one week or more, open the RO water faucet and allow the system to drain. Close the RO water faucet and allow the system to regenerate the water supply.

■ Recommended installation is under the sink.

However, the unit can be installed in a remote location, up to 20 feet away from the sink.

- However, additional materials will be required. See parts list to obtain additional materials from GE Appliances.

- Locating the tank on a basement floor, with the faucet at a first floor sink may result in some loss of flow rate and capacity (approximately 20%). Installing a second tank will improve this performance. An RVKIT can be used.

■ If Reverse Osmosis system is connected to a refrigerator icemaker, a special icemaker connection kit is required (RVKIT). Do not use copper tubing for the connection between the Reverse Osmosis system and the refrigerator.

■ Sanitize upon installation of the Reverse Osmosis system and after servicing inner parts, including replacement of prefilter, postfilter and Reverse Osmosis cartridge. It is important to have clean hands while handling inner parts of the system. See the Sanitizing the Reverse Osmosis System section.

■ This Reverse Osmosis system contains a replaceable treatment component critical for effective reduction of total dissolved solids. This product water shall be tested periodically to verify that the system is performing satisfactorily. See the The Water Test Kit section.

BE SURE TO FOLLOW ALL APPLICABLE STATE AND LOCAL CODES.

NOTICE: To reduce the risk associated with property damage due to water leakage:

- Read and follow these instruction before installation and use of this system.
- Installation and use MUST comply with all state and local plumbing codes.
- Protect from freezing, remove filter cartridge when temperatures are expected to drop below 40° F (4.4° C).
- **Do not** install systems in areas where ambient temperatures may go above 110° F (43.3° C).

- **Do not** install if water pressure exceeds 120 psi (827 kPa). If your water pressure exceeds 80 psi (552 kPa), you should install a pressure limiting valve. Contact a plumbing professional if you are uncertain how to check your water pressure.

- Do not install where water hammer conditions may occur. If water hammer conditions exist, you should install a water hammer arrester. Contact a plumbing professional if you are uncertain how to check for this condition.

- Where a back flow prevention device is installed on a water system, a device for controlling pressure due to thermal expansion should be installed.

NOTICE: To reduce the risk associated with property damage due to water leakage:

- Do not use a torch or other high temperature sources near filter system, cartridges, plastic fittings or plastic plumbing.

- On plastic fittings, never use pipe sealant or pipe dope. Use PTFE thread tape only, pipe dope properties may deteriorate plastic.

- Take care when using pliers or pipe wrenches to tighten plastic fittings, as damage may occur if over tightening occurs.

- Do not install in direct sunlight or outdoors.

- Do not install near water pipes which will be in path of a drilling tool when selecting the position to mount the bracket.

- Mount filter in such a position as to prevent it from being struck by other items used in the area of installation.

- Ensure that the location and fasteners will support the weight of the system when installed and full of water.

- Ensure all tubing and fittings are secure and free of leaks.

- Do not install unit if any collets (parts 27 and 28 on page 26) are missing . Contact 877.959.8688 if collets are missing from any fittings to obtain replacements.

- Replace the disposable pre and post filter cartridges every 6 months, at the rated capacity or sooner if a noticeable reduction in flow rate occurs.

- Replace the disposable RO cartridge every 24 months or sooner if a noticeable reduction in filtration efficiency occurs.

READ AND SAVE THESE INSTRUCTIONS

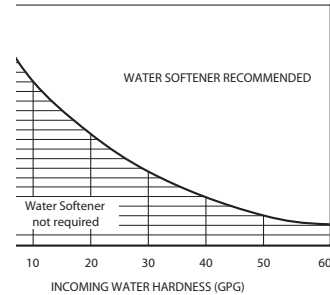
Specifications

SPECIFICATION GUIDELINES

The system makes a good supply of drinking water each day. How much it will make depends primarily on these things...

Feed water pressure limits—pounds per square inch (psi)	40–120 ^a
Feed water temperature limits—minimum/maximum degrees F	40–100
Maximum Total Dissolved Solids (TDS)—parts per million (ppm)	2000
Maximum water hardness @ 6.9 pH recommended to optimize membrane life	
—grains per gallon (gpg)	10

For water with hardness greater than 10 grains (at 6.9 pH), the use of a softener is recommended. Failure to install a water softener will reduce the life of the Reverse Osmosis membrane. See chart for additional information on the possible need for a water softener.



Maximum turbidity (NTU)	<2
Maximum iron, manganese, hydrogen sulfide (ppm)	<0.1
Chlorine in water supply	2.0 ppm Maximum Allowable ^b
Feed water pH limits (pH)	4–10
Storage tank capacity—gallons	4 ^c
Automatic shutoff controlyes
Prefilter and postfilter(FQROPF) Carbon Block
Reverse Osmosis membrane(FQROMF) Thin Film Polyamide
Storage Tank Dimension (inches)height 15" diameter 11"
System Body Dimension (inches)height 11" width 10.5" depth 4"


- a. If house water pressure is over 80 psi, install a pressure reducing valve in the water supply line. If house water pressure is under 40 psi, install a Reverse Osmosis booster pump (contact your local plumbing supply company).
- b. Removed (maximum of 2.0 ppm) by the Reverse Osmosis prefilter. REGULAR MAINTENANCE IS REQUIRED. Chlorine will destroy the Reverse Osmosis membrane.
- c. Theoretical tank capacity. When tested according to NSF/ANSI Standard 58 at 50 psig inlet pressure, tank capacity is 2.3 gallons.

Specifications

Performance Data GE Appliances Reverse Osmosis System Model(s): PNRQ15RBL, and PXRQ15RBL

Use Replacement Cartridge(s): FQROPF (pre and post filter)
and FQROMF (membrane filter)

The concentration of the indicated substances in water entering the system was reduced to a concentration less than or equal to the permissible limit for water leaving the system as specified in NSF/ANSI Standard 42, Standard 58 and CSA B483.1.



System tested and certified by NSF International against NSF/ANSI to Standard 42, Standard 58 and CSA B483.1 for the reduction of substances as listed below.

Capacity 11.15 gpd (gallons per day) 42.2 lpd (liters per day).

Contaminant Reduction Determined by NSF testing.

Substance Reduction	Average Influent	NSF specified Challenge Concentration	Avg % Reduction	Average Product Water Concentration	Max Permissible Product Water Concentration	NSF Reduction Requirements	NSF Test Report
Chlorine Taste and Odor	2.0 mg/L	2.0 mg/L ± 10%	97.5%	0.05 mg/L	N/A	≥ 50%	J-00137933
Nominal Particulate Class III, ≥5.0 to < 15.0 µm	70,333 pts/mL	At least 10,000 particles/mL	99.9%	23 pts/mL	N/A	≥85%	J-00147439
Arsenic (pentavalent)	0.032 mg/L	0.050 mg/L ± 10%	98.1%	0.006 mg/L	0.010 mg/L	N/A	J-00122054
Asbestos	136 fibers/L	10 ⁷ to 10 ⁸ fibers/L; fibers greater than 10µm	99.9%	< 1 fiber/L	NA	99%	J-00122066
Barium	9.6 mg/L	10 mg/L ± 10%	96.8%	0.310 mg/L	2.00 mg/L	N/A	J-00122055
Cadmium	0.028 mg/L	0.03 mg/L ± 10%	98.9%	0.0003 mg/L	0.005 mg/L	N/A	J-00122059
Chromium (Hex.)	0.28 mg/L	0.3 mg/L ± 10% (added as hexavalent)	97.2%	0.008 mg/l	0.1 mg/L	N/A	J-00122054
Chromium (Tri.)	0.32 mg/L	0.3 mg/L ± 10% (added as triavalent)	96.7%	0.01 mg/l	0.1 mg/L	N/A	J-00122055
Copper	2.9 mg/L	3.0 mg/L + 10%	99.1%	0.027 mg/L	1.3 mg/L	N/A	J-00122061
Cyst	140,000 cysts/L	Minimum 50,000 cysts/L	99.99%	3 cyst/L	N/A	≥99.95%	J-00122065
Lead	0.14 mg/L	0.15 mg/L + 10%	99.1%	0.001 mg/L	0.010 mg/L	N/A	J-00122059
Radium 226/228	25 pCi/L	25 pCi/L ± 10%	80.0%	5 pCi/L	5 pCi/L	N/A	J-00122055
Selenium	0.1 mg/L	0.10 mg/L ± 10% (added as ½ selenite and ½ selenate)	97.6%	0.002 mg/L	0.05 mg/L	N/A	J-00122057
TDS	760 mg/L	750 mg/L + 40 mg/L	94.5%	42 mg/L	187 mg/L	N/A	J-00122067
Turbidity	11 NTU	11 ± 1 NTU	99.1%	0.1 NTU	0.5 NTU	N/A	J-00122064

Operating Specifications	
Inlet Pressure	40-120 psig (2.8-7.0 kg/cm ²)
Inlet Temperature	40-100 F° (5-38° C)
Maximum TDS Level	2000 mg/L
Maximum Hardness @ 6.9pH	10 grains per gal. (171 mg/L)
Maximum Chlorine	2.0 mg/L
pH Range	4 – 10
Daily Production Rate	8.46 GPD (32.0 L/day)
Efficiency Rating ⁽³⁾	9.05%
Recovery Rating ⁽⁴⁾	19.84%

Notes:

- (1) Tested by NSF International per NSF/ANSI Standard 58 or NSF/ANSI Standard 42.
- (2) NTU is Nephelometric Turbidity Units
- (3) Efficiency rating means the percentage of the influent water to the system that is available to the user as reverse osmosis treated water under operating conditions that approximate typical daily usage.
- (4) Recovery rating means the percentage of influent water to the membrane portion of the system that is available to the user as reverse osmosis treated water when the system is operated without a storage tank or when the storage tank is bypassed.

Specifications

Performance Data Sheet Profile™ Reverse Osmosis System Models: PXRQ15FBL, PXRQ15RBL, PNRQ15FBL, and PNRQ15RBL

NOTICE: This system has been tested according to NSF/ANSI 58 for reduction of the substances listed below. The concentration of the indicated substances in water entering the system was reduced to a concentration less than or equal to the permissible limit for water leaving the system, as specified in NSF/ANSI 58.

Before purchasing a water treatment unit, it is recommended that you have your water supply tested to determine your actual water treatment needs. The NSF/ANSI 58 testing were performed under standard testing conditions, actual

⚠ WARNING Do not use with water that is microbiologically unsafe or with water of unknown quality without adequate disinfection before or after the system. Systems certified for cyst reduction may be used on disinfected water that may contain filterable cysts. This system is to be used for arsenic reduction only on chlorinated water supplies containing detectable residual free chlorine at the system inlet. Water systems using an in-line chlorinator should provide a one-minute chlorine contact time before the RO system. See Arsenic Fact Sheet for additional details.

This reverse osmosis system contains a carbon pre-filter to help protect the reverse osmosis membrane from deterioration that is induced by chlorine in the supply water. This reverse osmosis system contains replaceable treatment components critical to the efficiency of the system. Replacement of the membrane component should be with one of identical specifications, as defined by the manufacturer, to assure the same efficiency and contaminant reduction performance. The product water should be tested periodically to verify that the system is performing satisfactorily. Consult the owner's manual for further information on installation, operating instructions, component replacement, and product warranty.

This system has been tested for the treatment of water containing pentavalent arsenic (also known as As (V), As (+5), or arsenate) at concentrations of 0.050 mg/L or less. This system reduces pentavalent arsenic, but may not remove other forms of arsenic. This system is to be used on water supplies containing a detectable free chlorine residual at the system inlet or on water supplies that have been demonstrated to contain only pentavalent arsenic. Treatment with chloramine (combined chlorine) is not sufficient to ensure complete conversion of trivalent arsenic to pentavalent arsenic. Please see the Arsenic Facts section of Performance Data Sheet for further information.

Estimated Replacement Costs

FQROPF – Pre- and Post-Filters carbon elements: \$45 - \$50

FQROMF – Reverse Osmosis Membrane: \$75 - \$85

For replacement parts, call toll-free 877.959.8688

Specifications

Arsenic Fact Sheet

Background

Arsenic (abbreviated As) can occur naturally in well water. There are two forms of arsenic: pentavalent arsenic (also called As(V), As(+5), and arsenate), and trivalent arsenic (also called As(III), AS(+3), and arsenite). Although both forms are potentially harmful to human health, trivalent arsenic is considered more harmful than pentavalent arsenic. In well water, arsenic may be pentavalent, trivalent, or a combination of both. Additional information about arsenic in water can be found on the Internet at the U.S Environmental Protection Agency (USEPA) website at: www.epa.gov/safewater/arsenic.html.

Testing Your Water

Arsenic in water has no color, taste or odor. It must be measured by a lab test. Public water utilities must have their water tested for arsenic. You can get the results from your water utility. If you have your own well, you can have the water tested. The local health department or the state environmental health agency can provide a list of certified labs. The cost is typically \$15 to \$30.

Pentavalent vs. Trivalent Arsenic Reduction

This system is very effective at reducing pentavalent arsenic from drinking water. This model was tested in a lab and proven to reduce 50 parts per billion (ppb) pentavalent arsenic to below 10 ppb, the USEPA standard for safe drinking water. RO systems are not as effective at removing trivalent arsenic from water. This model will not convert trivalent arsenic to pentavalent arsenic. If you have free chlorine residual in your water supply, any trivalent arsenic will be converted to pentavalent arsenic and reduced by this Reverse Osmosis system. Other water treatment chemicals, such as ozone and potassium permanganate will also change trivalent arsenic to pentavalent arsenic. A combined chlorine residual (also called chloramine) may not convert all of the trivalent arsenic to pentavalent arsenic. Water systems using an in-line chlorinator should provide a one-minute chlorine contact time before the Reverse Osmosis system. If you get your water from a public water utility, contact the utility to find out if free chlorine or combined chlorine is used in the water system.

Maintenance

It is strongly recommended that you follow the maintenance instructions in your owner's manual and have your water tested periodically to make sure the system is performing properly. See replacement element information above for recommendations on maintaining your Reverse Osmosis drinking water treatment system.

For IOWA Only

 All sales in Iowa require the following signature before consummation of sale. These signatures must be retained by the seller/renter for two years minimum.

Buyer/Renter _____ Date _____

Seller _____ Date _____

Seller's Address _____

Seller's Phone number _____

Product: GE Appliances Reverse Osmosis Filtration System: Model PXRQ15FBL, PXRQ15RBL, PNRQ15FBL, and PNRQ15RBL

Using the Reverse Osmosis System

How the Reverse Osmosis System Works

Reverse Osmosis reduces Total Dissolved Solids (TDS) and organic matter from water by diffusing it through a special membrane (see Performance Data Sheet). The membrane separates minerals and impurities from the water and they are flushed to the drain. For the reduction of the claims specified, see Performance Data Sheet. High quality product water goes directly to the drinking water faucet or to the storage tank. The system makes a good supply of drinking water each day. How much it makes depends on the feed water supply pressure, temperature and quality.

The prefilter and postfilter are replaceable cartridges. The carbon prefilter reduces chlorine while also filtering sediments. The postfilter reduces any other undesirable tastes and odors before you use the water.

The system includes an electronic faucet assembly with a prefilter and postfilter change reminder. When six months have passed, a flashing light will remind you to change the two filters.

Description of the Reverse Osmosis System

Prefilter - Water from the cold supply pipe is directed to the prefilter cartridge. The prefilter is a replaceable sediment cartridge containing activated carbon. The prefilter reduces chlorine taste and odor in the feed water because CHLORINE DESTROYS THE REVERSE OSMOSIS MEMBRANE. Filtered, clean, chlorine-reduced water flows from the prefilter to the Reverse Osmosis cartridge.

Reverse Osmosis Cartridge - The middle cartridge includes a tightly wound, special membrane. Water is forced through the cartridge where the membrane reduces the dissolved solids and organic matter. High quality product water exits the Reverse Osmosis cartridge and goes to the storage tank. Reject water, with the dissolved solids and organic matter, leaves the cartridge and is discharged to the drain through 1/4" tubing.

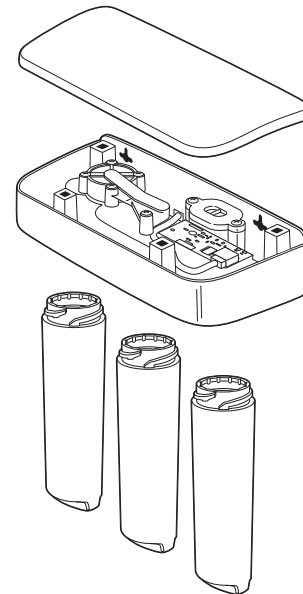
Postfilter - After leaving the storage area, but before going to the system faucet, product water goes to the postfilter cartridge. The postfilter is also a replaceable sediment cartridge that contains activated carbon. Any remaining tastes, odors or sediments are reduced from product water by the postfilter. Clean, high quality drinking water flows through the tubing and to the system faucet.

Storage Tank - The storage area holds up to 2-1/2 gallons of product water. A diaphragm inside the tank keeps water pressurized, when the tank is full, for fast flow to the faucet when drinking water is needed.

Check Valve - The check valve prevents a backward flow of product water from the storage tank. A backward flow could cause the Reverse Osmosis membrane to rupture.

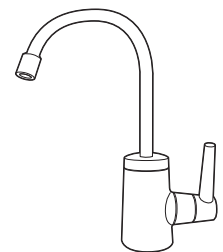
Automatic Shutoff Assembly - To conserve water, the drinking water system has an automatic shutoff. When the storage tank has filled to capacity and the drinking water faucet is closed, pressure closes the shutoff. Water flow to the Reverse Osmosis housing is shut off until drinking water is used again, and pressure drops in the Reverse Osmosis system.

Flow Control - The flow control regulates the flow of water through the Reverse Osmosis cartridge at the required rate to produce high quality water. The control is located in the 1/4" drain line exiting off the manifold.



Faucet and Electronics -

The countertop faucet dispenses filtered drinking water when opened. It has a hand-operated lever, with variable flow adjustment. You can keep the faucet open by removing your hand from the lever once water is flowing. To comply with plumbing codes, an air gap is built into the faucet drain water connection.



The electronic faucet provides a six month timer to remind you when it is time to replace your prefilter and postfilter. Replace the filters when the light begins to flash in order to protect the RO membrane and keep the system functioning properly.

Installation Instructions

Reverse Osmosis Filtration System
Models PXRQ15RBL and PNRQ15RBL

? Questions? Call 800.626.2005 or visit our Website at: GEAppliances.com/ge/service-and-support/contact.htm

⚠ WARNING Read entire manual. Failure to follow all guides and rules could cause personal injury or property damage.

- Check with your state and/or local public works department for plumbing codes. You must follow their guides as you install the Water Filtration system.
- NOTE:** Failure to comply with these installation instructions will void the product warranty, and the installer will be responsible for any service, repair or damages caused thereby.

TOOLS AND MATERIALS REQUIRED FOR INSTALLATION

- Electric drill and 1-1/2" Drill Bit (type as required) if mounting is needed for faucet
- Two (2) Adjustable Wrenches
- 1/16" Drill Bit (optional for pilot holes)
- Tape Measure
- Phillips and Flat Blade Screwdrivers
- Utility Knife
- If your main water line is a rigid pipe, you will require a compression fitting and possibly other plumbing hardware to complete the installation.

IMPORTANT — To avoid damaging the sink, consult a qualified plumber or installer for drilling procedures. Special drill bits may be needed for stone, porcelain or stainless steel.

BEFORE YOU BEGIN

Read these instructions completely and carefully.

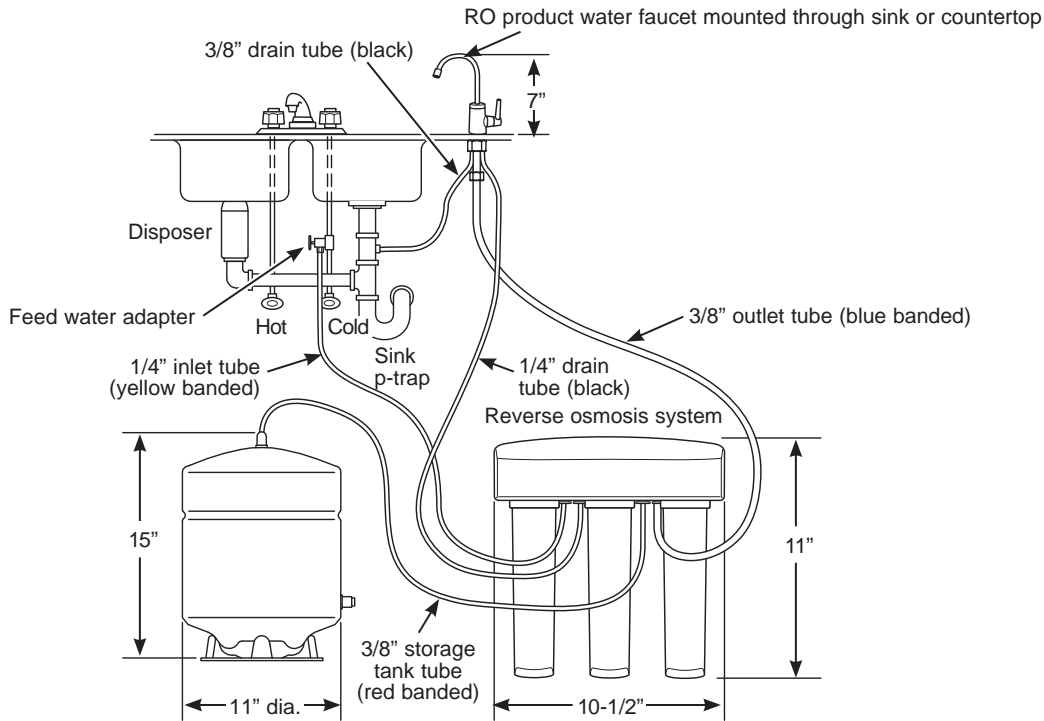
- **IMPORTANT** — Save these instructions for local inspector's use.
- **IMPORTANT** — Observe all governing codes and ordinances.
- **Note to Installer** – Be sure to leave these instructions with the Consumer.
- **Note to Consumer** – Keep these instructions for future reference.
- Proper installation is the responsibility of the installer.
- Product failure due to improper installation is not covered under the Warranty.
- A shutoff valve must be available or added near the installation point.

CONTENTS INCLUDED WITH PRODUCT

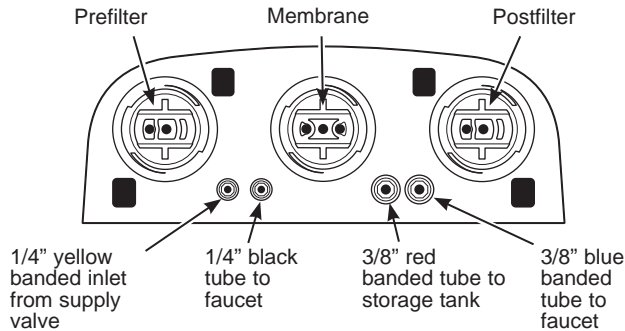
- Reverse Osmosis Assembly and Tubing
- Product Literature (Owner's Manual and Installation Instructions)
- Performance Data Sheet
- Feed Water Adapter
- Faucet Assembly with Electronic Base Monitor and Tubing
- Storage Tank
- Drain Line Adapter

Installation Instructions

THINGS TO CHECK BEFORE BEGINNING INSTALLATION



TUBING/FILTER DETAIL



FILTRATION DRAIN CONNECTION

A suitable drain point and air gap (**check your state and/or local codes**) are needed for reject water from the Reverse Osmosis membrane cartridge.

RO FAUCET

The RO product water faucet installs on the sink or on the countertop next to the sink. Often, it is installed in an existing sink spray attachment hole or a hole may be drilled. Space is required underneath for tubing to and from the faucet, and for securing the faucet in place. All faucet connections are done on or above the sink or countertop.

FEED WATER

The water supply to the undercounter Reverse Osmosis system must have the qualities listed in the specifications. Municipal water supplies most often will have these qualities. Well water may need conditioning—have the water tested by a water analysis laboratory and get their recommendations for treatment.

IMPORTANT — For water with a hardness greater than 10 grains (at 6.9 pH), the use of a softener is recommended. Failure to install a softener will reduce the life of the Reverse Osmosis cartridge.

BASEMENT INSTALLATION

If installing in a basement, leave enough tubing in place during installation to be able to move unit to floor for ease at servicing and making filter/membrane changes. Additional tubing and fittings required.

NOTE: See parts list on page 26 for optional parts that may be required for a basement installation.

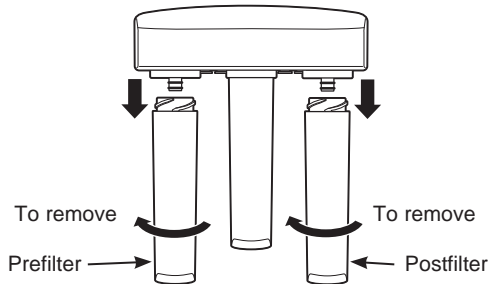
Installation Instructions

Reverse Osmosis Assembly

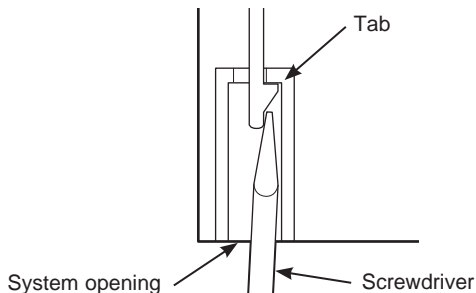
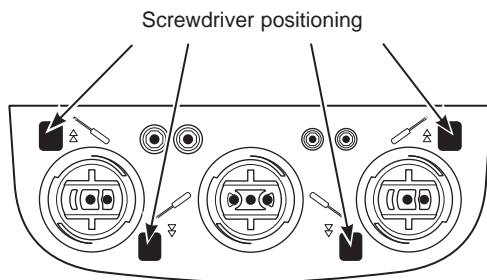
MOUNTING SYSTEM INSTALLATION

Choose a location under the sink to mount the system. Location should be easily accessible, with adequate clearance between the bottom of the filter cartridges and the floor or bottom of the cabinet for removal of filter cartridges. Allow enough space on either side of the system for the tubing connections.

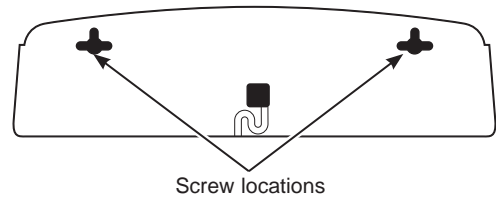
1. Remove the prefilter and postfilter cartridges.
2. Remove the assembly cover by unlocking the four tabs on the cover from the system.



3. Use a flat-head screwdriver to work from left to right from the underside of the system.
4. Use the icons on the bottom of the system for screwdriver positioning.

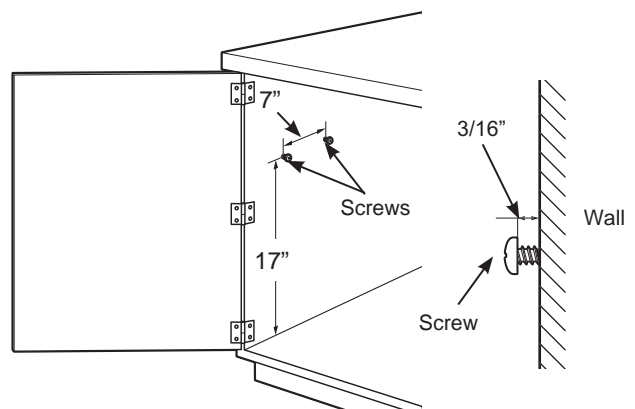


5. Hold the Reverse Osmosis assembly up to the wall surface where you wish to install it. Mark location for screws. There should be a minimum of 17" from the marks to the bottom of the cabinet floor.



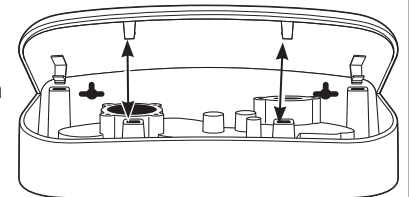
IMPORTANT — Do not get dirt or debris inside the assembly area. Use only to mark mounting hole locations.

6. Install screws to the wall, leaving a 3/16" clearance between the head of the screw and wall (drill pilot holes if needed).

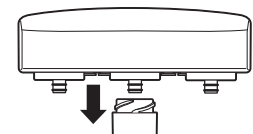


7. Hang the Reverse Osmosis assembly on the screws. Tighten or loosen the screws as desired until the system is secure on the wall.

8. To install the cover, line up the front tabs on the cover with the openings in the system.



9. Snap the cover in place; the tabs will flex, allowing the cover to snap in place.



10. Remove the membrane cartridge.



Installation Instructions

Feed Water Supply

Check and comply with local plumbing codes as you plan, then install a cold feed water supply fitting.

A. PREFERRED INSTALLATION

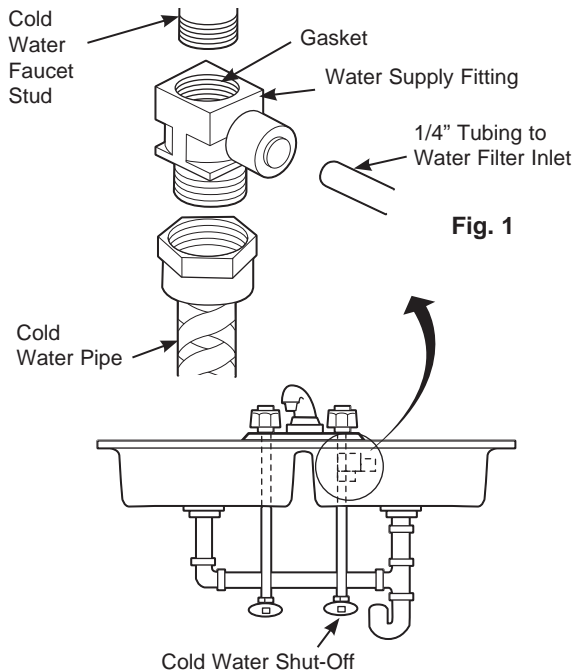
Utilizing existing kitchen sink water supply valve and removable faucet tubing.

A typical connection using the included water supply fitting is shown in the illustration below.

1. Close the water shut-off valve that is immediately in front of the supply tube and open the faucets to drain water from the sink cold water pipe.
2. Remove the nut that connects the cold water faucet to the supply tube. Some water may spill out.

NOTES:

- Be sure to turn off the water supply and open a faucet to drain the pipe.
- Make sure the gasket is installed in the water supply fitting.



3. Hand-tighten the water supply fitting onto the cold water faucet. Be sure the gasket, as shown, is in place before final assembly. Finish tightening with an adjustable wrench. Be careful not to overtighten or cross-thread. Be careful not to overtighten or cross-thread, since damage to the threads can occur. Make sure the 1/4" quick connection is not against a wall that causes the supply tubing connection to bend. A quarter turn to tighten or loosen the adapter may be necessary to avoid this.
4. Reconnect faucet tubing line to the fitting.
5. Install tubing. (See Installing the Tubing section.)

B. OPTIONAL INSTALLATION 1

Utilizing existing kitchen sink water supply valve (A) and removable faucet tubing (B).

1. Refer to illustration below to complete assembly depending on supply valve size (A).
2. Close the cold water supply valve (A) under the sink.
3. Unscrew the flexible tubing line (B) from the supply valve (A) that connects to the COLD water riser.

NOTE: For rigid pipe, see D. Optional Rigid Pipe Installation on page 11.

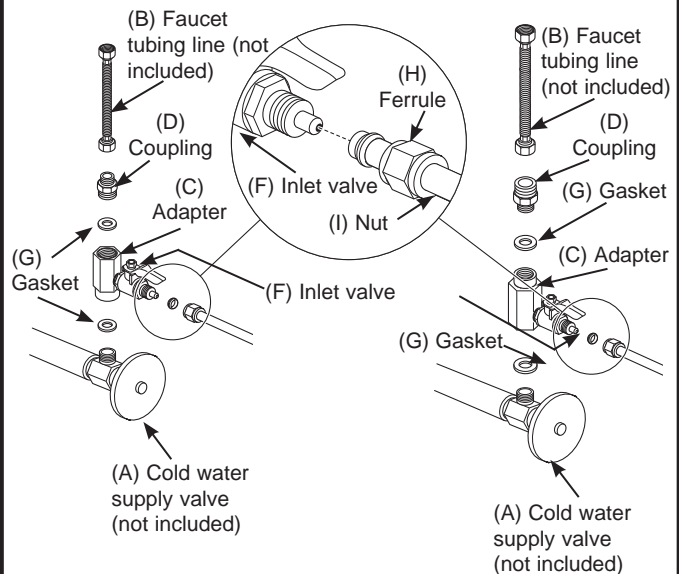
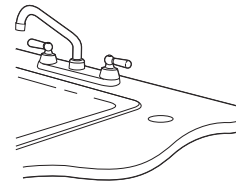
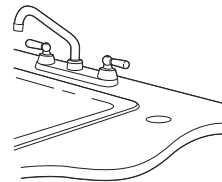
Note Adapter (C) orientation:

3/8-inch installation—Rounded end of adapter (C) connects to supply valve (A).

1/2-inch installation—Rounded end of adapter (C) connects to coupling (D), then to existing faucet tubing (B).

For 3/8" Plumbing

For 1/2" Plumbing



Installation Instructions

Feed Water Supply (Cont.)

B. OPTIONAL INSTALLATION 1 (CONT.)

4. Assemble adapter (C) and coupling (D) as shown in illustration on page 9, per your configuration. Ensure that the gasket (G) is in place before final assembly. Start installation by hand, then finish tightening with adjustable wrench. Be careful not to overtighten or cross-thread since damage to threads may occur.
5. Hand-tighten assembled adapter (C) onto supply valve (A) for the proper size installation. Be sure gasket (G) is in place before final assembly. Start installation by hand; then finish tightening with an adjustable wrench. Be careful not to overtighten or cross-thread since damage to threads may occur.
6. Reconnect faucet tubing line (B) to top of adapter (C).
7. Cut wire ties on tubing coils, using care not to damage tubes or parts if using a utility knife.
8. Remove the 1/2" nut (I) and ferrule (H) from end of inlet valve. Using the yellow banded tubing provided, place the nut (I) and ferrule (H) onto the tubing and install onto inlet valve (F) as shown at left. Tighten with adjustable wrench. Be careful not to overtighten or cross-thread since damage to threads may occur.

NOTE: Inspect the ends of the tubing prior to installation to be sure there are no imperfections and that the end of the tubing is cut square. It may be necessary to cut the tubing again.

C. OPTIONAL INSTALLATION 2

Where codes permit (Requires additional parts)

*For 1/2" OD or larger metal tubing only.

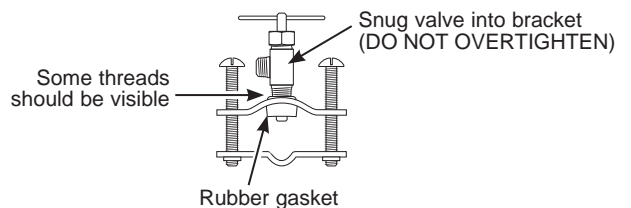
NOTE: Codes in certain states require installation by a licensed plumber and do not permit the use of the saddle valve. For installation, use plumbing code 248-CMR of the Commonwealth of Massachusetts.

Saddle valve is available through GE Appliances Parts and Services at 877.959.8688, part number WS15X10023. Self-piercing saddle valves are not recommended.

1. Turn off the cold water supply and attach saddle valve as required by product selection. (Be sure to follow manufacturer's Installation Instructions.)

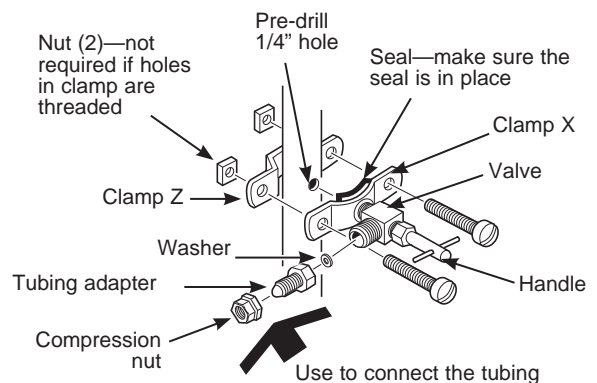
▲ WARNING Many homes are electrically grounded through the plumbing. To protect yourself from serious injury or fatal shock, use a battery-powered hand drill only to make the hole. **DO NOT USE AN ELECTRIC DRILL.**

2. Close the water supply valve by turning the handle clockwise.
3. Open the main water supply valve and several house faucets to purge air from the system. Close faucets when water runs smoothly.



Optional water supply connection (using saddle valve)*

*For 1/2" OD or larger metal tubing only.



Installation Instructions

Feed Water Supply (Cont.)

D. OPTIONAL RIGID PIPE INSTALLATION

For installation with rigid pipe between supply valve and sink faucet.

Option 1

1. Remove pipe from supply valve and sink faucet.
2. Obtain flexible pipe sized to your plumbing.
3. Install flexible pipe.
4. GO back to B. OPTIONAL INSTALLATION 1 section, step 4.

Option 2

1. Obtain compression fittings to fit rigid pipe.
2. Obtain any other fittings required to connect compression fittings to adapter.

NOTE: Adapter has 1/2" and 3/8" internal and external threads.

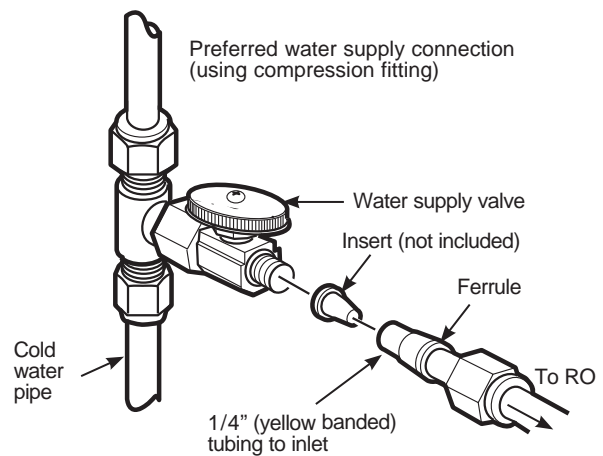
3. Remove pipe from supply valve.
4. Cut pipe to fit length of assembled fittings and adapter.
5. Install compression fitting to pipe.
6. GO back to B. OPTIONAL INSTALLATION 1 section, step 4.

NOTE: Above described materials are not included with the product.

E. OPTIONAL REMOTE LOCATION INSTALLATION

(requires additional part)

1. Turn off the cold water supply.
2. Complying with plumbing codes, install a fitting on the cold water pipe to adapt 1/4" OD tubing. A typical connection is shown in illustration below. Make sure a water supply valve is used.
3. If the RO unit is to be installed more than 6 feet from the valve, replace the yellow banded inlet tubing with a longer length of GE Appliances 1/4" tubing. A 33-foot length of 1/4" tubing is available through GE Appliances Parts and Services at 877.959.8688, part number WS07X10018. **DO NOT SUBSTITUTE TUBING OF UNKNOWN QUALITY.**
4. If the RO unit is to be installed more than 6 feet from the faucet, replace the blue banded outlet tubing with a longer length of GE Appliances 3/8" tubing. A 33-foot length is available through GE Appliances Parts and Services at 877.959.8688, part number WS07X10019. See Faucet Mounting Installation on page 17 for more details. **DO NOT SUBSTITUTE TUBING OF UNKNOWN QUALITY.**



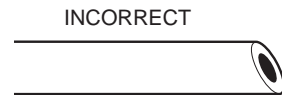
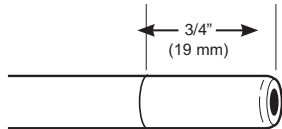
If you are using copper tubing, DO NOT connect it directly onto the RO unit. Purchase a connector and use a short length of the yellow banded tubing provided to make final connection to RO. Do not use copper tubing to attach to icemaker or faucet.

Installation Instructions

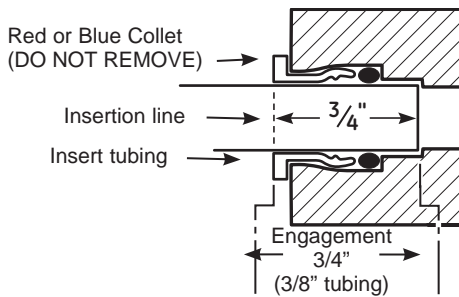
Feed Water Supply (Cont.)

INSTALLING THE TUBING TO TANK AND FAUCET

1. Measure 3/4" from the end of each remaining piece of tubing (faucet end and inlet end) and mark with a pencil. (Check for roundness, smoothness, cuts, nicks, flat spots and sharp edges).



2. Push the tubing firmly into each fitting on the manifold until the line is flush with the fitting collar. (If the tubing is removed, re-cut the end, measure, mark and re-insert). Tubing must be fully inserted to avoid leaks. To remove tubing: depress and hold red or blue collet; pull tubing out to remove.



3. Pull out slightly on tubing to ensure a good seal.

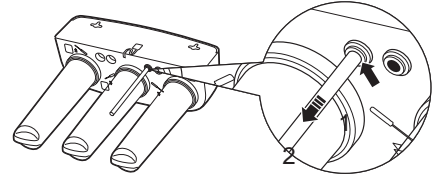
FLOW RESTRICTOR REPLACEMENT PROCEDURE

Each time the Reverse Osmosis cartridge is changed, you will need to replace the flow restrictor in the drain line as well.

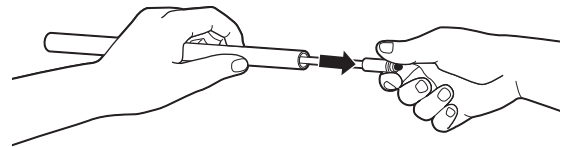
Be sure to wash your hands before handling inner parts of the system.

FLOW RESTRICTOR REPLACEMENT PROCEDURE (cont.)

1. Remove drain line tubing by pushing up on the drain line collet with one hand (1) and removing the drain line with the other hand (2).

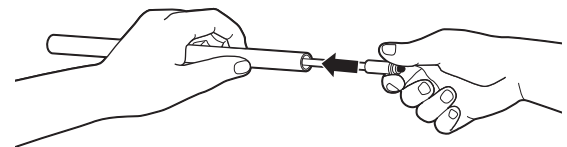


2. Once the drain line has been removed from the system base, grasp the end of the flow restrictor and pull it straight out from the tube*. If the restrictor is difficult to remove by hand, a pair of pliers may be used to grip the end of the restrictor to aid in removal from the tubing.

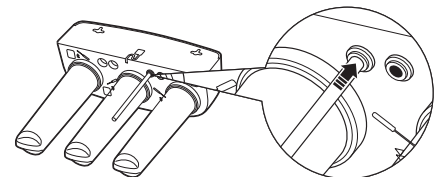


*In some instances, the restrictor may slide out of the drain tubing as it is removed from the drain line port. If, after removing the drain line as described in step 1, the restrictor is no longer in the end of the tubing, check the drain line port. Remove the restrictor from the port and proceed to step 3.

3. Take new restrictor and slide it back into the drain tubing. Insert the restrictor by hand only. Do not use pliers to insert. Make sure to insert restrictor all the way into the tubing. Failure to do so could result in improper operation of the RO system.



4. Reinsert drain line tubing in system base. Tug lightly on the tubing to ensure that the collet is engaged and has a proper grip on the tubing.



Installation Instructions

Faucet Assembly

INSTALL THE FAUCET

Be sure there is room underneath and above the sink to make the needed connections. Before starting, make sure there is sufficient room for the faucet base and unit. Select one of the following places to install the faucet:

- A. In an existing sink spray attachment or soap dispenser hole.
- B. In a hole to be drilled in the sink top.
- C. In a hole to be drilled in the countertop, next to the sink.

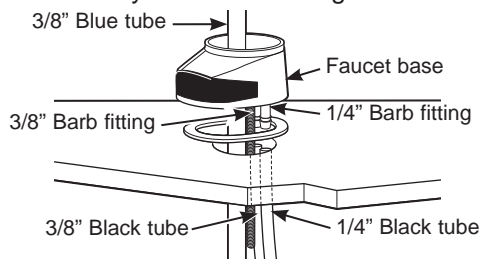
NOTES:

- Be sure the faucet base will fit flat against the surface at the selected location so the bottom gasket between the base and surface area will seal.
- Make sure to leave enough clearance at the back of the faucet in case you need to remove it.

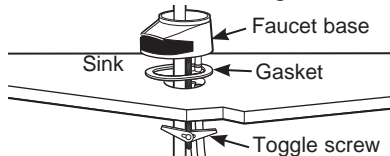
Installation Steps (refer to illustration below for clarification)

1. If drilling is needed, make a 1½" diameter hole. Be sure to use the proper procedure for drilling stone, porcelain or stainless steel. Special drill bits may be needed. Consult a qualified plumber for the proper procedure.

NOTE: When drilling in stainless steel, the edges may be sharp and could puncture the tube. Be careful to not cut yourself or damage the tube.



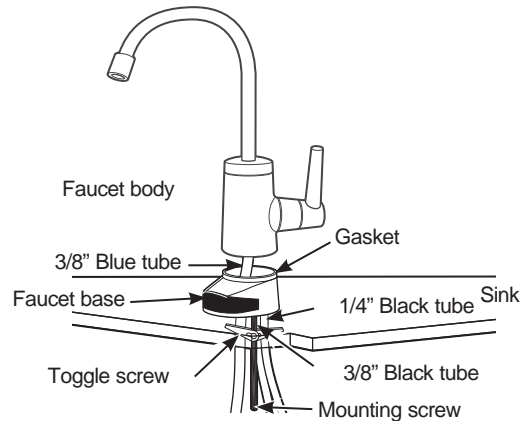
2. Remove the faucet body and base by turning the base counterclockwise.
3. Push the 1/4" black tube and the 3/8" black tube onto the correct barb fittings on the faucet base. Push the 3/8" blue tube through the base.



4. Align the gasket to cover the hole completely. Then place the toggle screw on the base into the hole.

INSTALL THE FAUCET (CONT.)

5. Tighten the toggle screw until the base is firmly in place and does not wobble or turn.
6. Push the 3/8" blue tube up to connect it to the fitting on the bottom of the faucet body. It should go in about 3/4". Pull tube slightly to make sure it is secure.

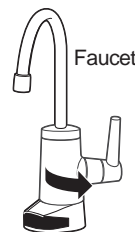


7. Push the faucet body down into the faucet base and turn the faucet 1/8 of a turn counterclockwise until it stops into place.

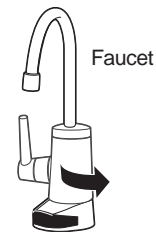
NOTE: You can install the faucet so the handle is on the right or the left side.

If you want the faucet handle on the right, position the handle on the front-right side of the base before turning 1/8 of a turn counterclockwise.

If you want the faucet handle on the left, position the handle on the rear-left side of the base before turning 1/8 of a turn counterclockwise.

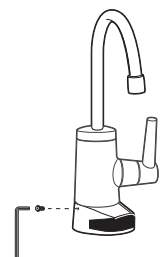


Faucet handle on the RIGHT



Faucet handle on the LEFT

8. Locate the hole at the rear of the base. Insert the set screw and begin to tighten by hand. Finish tightening with the Allen wrench provided in the packet. **DO NOT OVERTIGHTEN.**



Installation Instructions

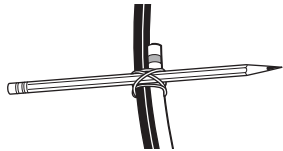
Faucet Assembly (Cont.)

OPTIONAL ONE-PERSON FAUCET TUBING INSTALLATION

1. From under the sink, gather the 1/4" drain line (black), 3/8" drain line (black) and 3/8" outlet tube (blue banded) in one hand with the drain tubes the same length and the outlet tube offset approximately 6 inches.



2. Wrap a rubber band around all 3 tubes.

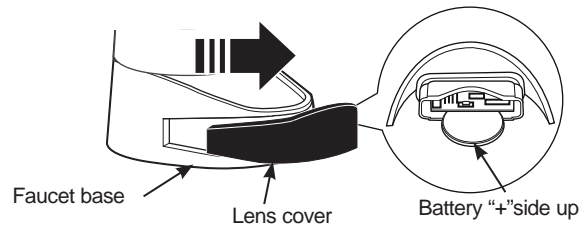


3. Insert a typical No. 2 pencil through the rubber band location.
4. Rotate the pencil down until it is in line with the tubing and push up through the mounting hole. Release the grip on the pencil and the tubes will remain in position for easier faucet connection.



INSTALL THE BATTERY

1. Remove the lens cover from the faucet base. Grip it from both sides and pull forward.
2. Install one CR2032 3V battery with the "+" side UP into the battery tray. Slide the battery tray completely back into the base.



3. The amber light will illuminate five times. If you want to reinitiate the start-up sequence, remove the battery for 90 seconds so the electronics can fully reset; then put the battery back in.
4. Normally, the light is off. After 6 months of use, the amber LED light will flash every 30 seconds indicating it is time to replace the filter canister.

NOTE: The amber LED light may stop blinking if it is allowed to blink for an extended period of time. To ensure proper operation, the battery should be replaced with every filter change.

FOR FILTER CHANGE: Replace the battery when changing the filter. Remove the used battery and wait 90 seconds before installing the new battery to ensure the proper electronics are reset for the next 6 months.

⚠ WARNING To reduce the risk associated with choking, immediately dispose of the replaced battery.

Installation Instructions

Filtration Drain Connection

Check and comply with local plumbing codes as you plan.

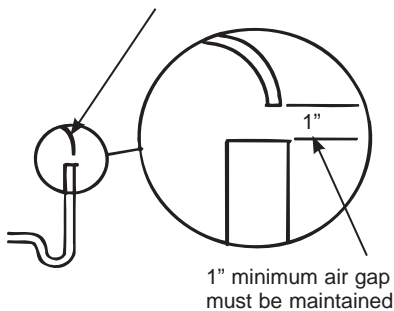
CAUTION The options detailed below are the **ONLY** approved installation configurations. Do not use any drain saddle device.

NOTE: Failure to follow these Installation Instructions will void the warranty, and the installer will be responsible for any service, repair or damages caused thereby.

PREFERRED INSTALLATION: OPTION A—BASEMENT ACCESS INSTALLATION

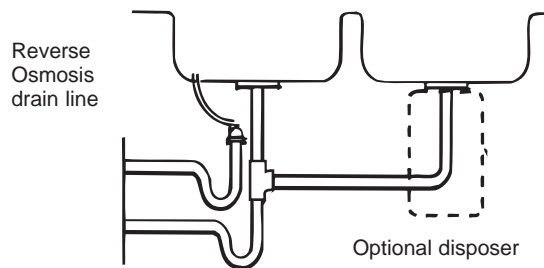
Route the drain line **DIRECTLY** from the Reverse Osmosis system to a standpipe in the basement, bypassing the air gap provided in the faucet. The air gap installation is left to the discretion of the installer. The drain line may also be routed to a floor drain or washtub, provided that the air gap is maintained. Special air gap fittings are available to connect the drain line to the top of the standpipe.

Drain line from the Reverse Osmosis system



PREFERRED INSTALLATION: OPTION B—DRY-VENTED P-TRAP INSTALLATION

Install a separate dry-vented p-trap under the sink to be used exclusively for the Reverse Osmosis drain line. A dry-vented p-trap is a p-trap that has its own vent/stack. Attach the drain line adapter to the p-trap and secure it with the slip joint nut and washer as shown. The drain line **MUST** be routed through the air gap provided in the RO water faucet.

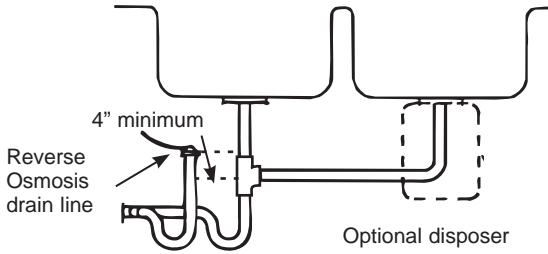


Installation Instructions

Filtration Drain Connection (Cont.)

PREFERRED INSTALLATION: OPTION C—WET-VENTED P-TRAP INSTALLATION

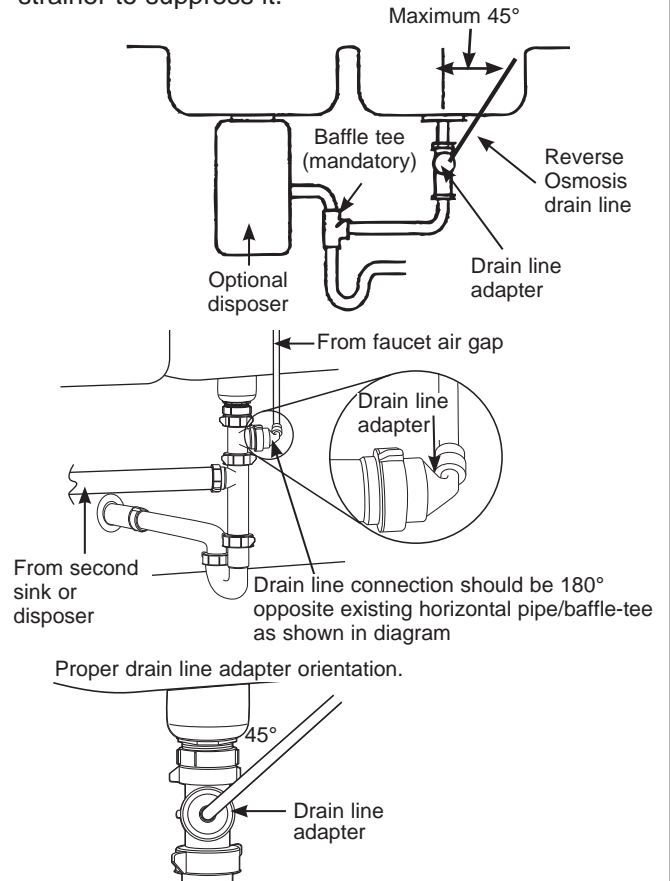
Install a p-trap under the sink to be used exclusively for the Reverse Osmosis drain line. A wet-vented p-trap is a p-trap that shares a common vent/stack. Attach the drain line adapter to the p-trap and secure it with the slip joint nut and washer as shown. The drain line **MUST** be routed through the air gap provided in the RO water faucet. Locate the Reverse Osmosis p-trap as high as possible (minimum of 4" above horizontal).



SECONDARY INSTALLATION: OPTION D—DRAIN LINE ADAPTER INSTALLATION

NOTICE: Using Option D may result in clogging under adverse conditions and requires periodic inspection/cleaning by the user.

DO NOT INSTALL THE DRAIN LINE DOWNSTREAM OF A DISPOSER OR IN A HORIZONTAL PIPE. Install the drain line adapter under the sink as shown (parts included). The baffle tee shown must be installed to prevent a clog in the Reverse Osmosis drain line. Route the drain line from the air gap to the drain line adapter, ensuring that there are no dips, loops or low spots in the line. The drain line adapter should be aligned vertically so that the hose connection points upward (the hose connection should never be allowed to drop below 45° from this vertical position). This installation **MAY** result in a slight drain noise in the sink drain when the Reverse Osmosis system is regenerating. If this happens, simply place the sink drain stoppers in the strainer to suppress it.

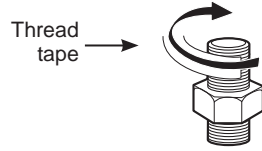


Installation Instructions

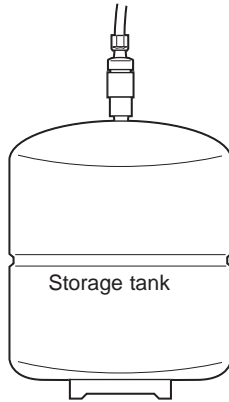
Storage Tank and Startup

STORAGE TANK INSTALLATION

1. Remove the protective cap from the top of the tank.
2. Apply 2–3 wraps of thread tape, in a clockwise direction, to the tank threads.



3. Install the push-to-connect fittings on the threaded fitting on the tank as shown.



4. Push the 3/8" red banded tubing from the Reverse Osmosis System into the fitting on the storage tank.

SYSTEM STARTUP PROCEDURE

IMPORTANT — If installing the unit in new construction, ensure that house plumbing is flushed thoroughly before opening the water supply valve.

1. Check that all tubing connections are secure.
2. Turn on the Feed Water Supply Valve.
3. Check all connection points for leaks.
4. Follow the Sanitization procedures on page 23.
5. After sanitization is complete, reinstall prefilter, postfilter and Reverse Osmosis cartridges.
6. Membrane contains a food grade preservative. Allow the system to fill the tank, then drain it completely four times before using the water from the system.
7. Recheck all water connection points a few days later to check for small leaks.

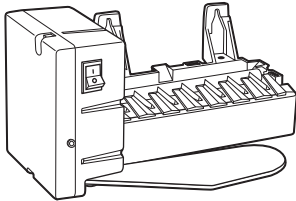
Care and Cleaning

Prefilter, Postfilter and Reverse Osmosis Membrane Cartridge Replacement Procedure

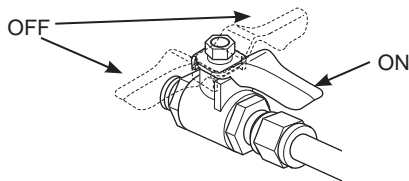
When the blue light in the faucet base flashes, it is time to replace the prefilter and postfilter. This will occur every 6 months.

Be sure to wash your hands before handling inner parts of the system.

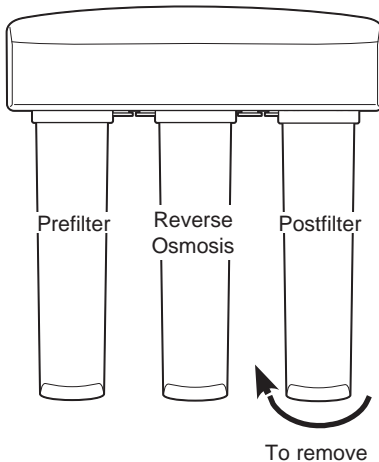
1. Turn OFF the icemaker (if attached to the system).



2. Turn off water supply to the system.



3. Turn ON faucet to drain tank (may take several minutes). Turn OFF faucet when tank is empty.
4. Remove the prefilter, postfilter and Reverse Osmosis cartridge by rotating to the left about 1/3 turn.

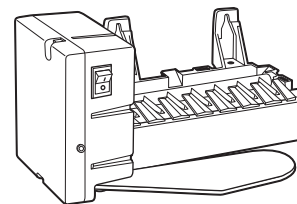


5. Follow Sanitizing the Reverse Osmosis System procedure found on page 23.

6. Remove foil on top of new replacement cartridges. Install new cartridges into the manifold by turning to the right about 1/3 turn until the alignment marks line up and the cartridges stop. **DO NOT OVERTIGHTEN.** The cartridges will rise up as they are turned.

NOTE: The prefilter and postfilter are identical. You may install either filter in the prefilter or postfilter position. The reverse osmosis cartridge is installed in the center position.

7. Turn ON water supply to fill the system (may take up to four hours). Check for leaks.
8. Remove the battery tray and replace the battery, positive “+” side up, to reset timer and monitor function in faucet base (see Battery Installation for proper procedure).
9. If only the prefilter and postfilter are replaced, turn the faucet ON and fill and empty the storage tank two (2) times. If the membrane cartridge is replaced, fill and empty the storage tank a total of four (4) times. (This will remove the food-grade preservatives contained in new membranes. This preservative will give product water an unpleasant taste and odor.)
10. Once the storage tank is full, turn on the icemaker.



NOTE: System should be sanitized when replacing the prefilter and postfilter cartridge or the Reverse Osmosis cartridge. Follow the Sanitizing the Reverse Osmosis System procedure on page 23.

Care and Cleaning

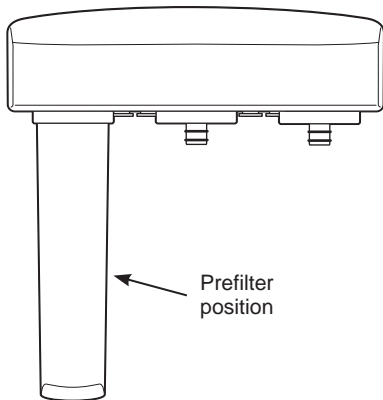
Sanitizing the Reverse Osmosis System

Sanitize upon installation of the Reverse Osmosis system and after servicing inner parts, including replacement of prefilter, postfilter and the membrane cartridge.

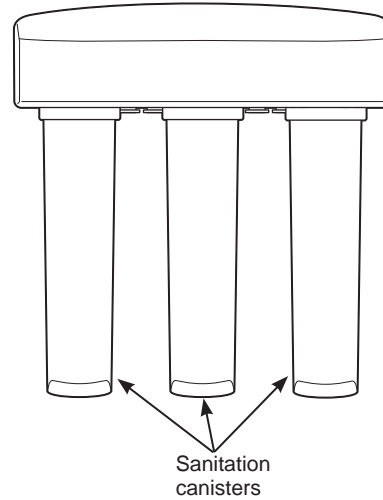
Be sure to wash your hands before handling inner parts of the system.

IMPORTANT — Before sanitizing, be sure to remove all cartridges. Chlorine will destroy the Reverse Osmosis membrane cartridge.

1. Follow steps 1 through 4 under Prefilter, Postfilter and Reverse Osmosis Membrane Cartridge Replacement Procedure.
2. Fill the empty canister labeled “Sanitization Canister” with water to within 1 inch of the upper opening. Add 1 oz. (2 Tbsp.) ordinary unscented household bleach. Install canister into the prefilter canister position by turning to the right about 1/3 turn until the alignment marks line up and the canister stops.



3. Install the two additional “sanitization canisters” into the membrane canister and postfilter openings in the manifold by turning to the right about 1/3 turn until the alignment marks line up and the canister stops.



4. Turn ON water supply. Turn ON faucet until water begins to flow from the faucet, then turn faucet OFF. Allow system to fill for 10 minutes.
5. Turn faucet ON and allow water to flow for 20 minutes, or until bleach odor is gone. Turn OFF water supply again. Turn ON faucet to drain the system.
6. Once the system is drained, turn the faucet OFF and remove the canisters by turning to the left about 1/3 turn. Keep these in a safe place until needed the next time.

To obtain replacement filters, call toll-free GE Appliances Parts and Services at 877.959.8688, or visit the store where you purchased your reverse osmosis system.

Prefilter/Postfilter Cartridge Replacement FQROPF	Carbon Block
Reverse Osmosis Cartridge Replacement FQROMF	Thin Film Polyamide

⚠ WARNING To reduce the risk of physical injury:
Depressurize system as shown in manual prior to cartridge removal.

The Water Test Kit

To obtain an independent laboratory water test kit, please call Legend Technical Services at 1.800.949.8220 and leave your contact details. They will contact you to find out what water tests you are interested in, and inform you of the cost of the testing. You will then receive a kit that will include all necessary tests to properly indicate the performance level of your system. Product water should be tested a minimum of every six months.

NOTE: When the TDS reduction of the system falls below 75%, it is time to replace the reverse osmosis cartridge in addition to the prefilter and postfilter.

Troubleshooting Tips... Before you call for service

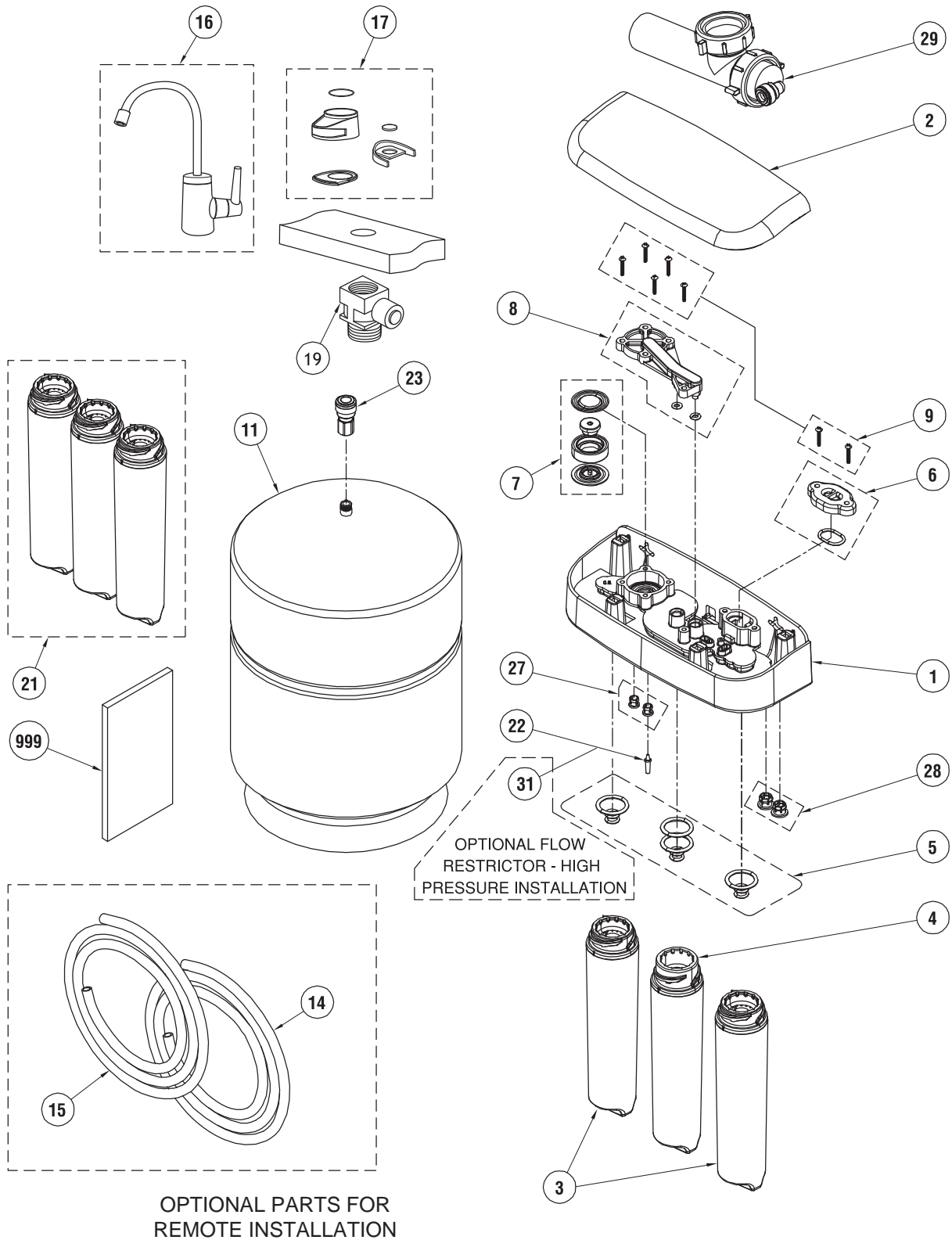
Save time and money! Review the charts on the following pages first and you may not need to call for service.

Problem	Possible Causes	What To Do
Water has air bubbles and is cloudy	Air in system after installation.	Will go away after it runs for a while.
Indicator light on faucet base not working	Battery installed incorrectly or expended.	Observe orientation on page 14 and install correctly. Replace battery if old.
	Batteries are dead.	Use new CR2032, 3-volt battery.
Chlorine taste and/or odor in the Reverse Osmosis product water	The ppm of chlorine in your water supply exceeds maximum limits and has destroyed the Reverse Osmosis membrane.	If the water supply contains more than 2.0 ppm of chlorine, additional filtering of the water supply to the Reverse Osmosis is needed. Correct this condition before doing maintenance on the Reverse Osmosis system.
	The prefilter is no longer reducing chlorine from the water supply.	Replace the Reverse Osmosis membrane cartridge, flow control, screen, prefilter, postfilter and batteries in the electronics box.
Other taste and/or odor	High quality product water may have a different taste than what you're used to.	This is normal.
	Low water usage.	Completely drain system and allow to refill.
	Contamination in product water storage.	Use sanitizing procedures.
	Prefilter and postfilter need to be changed.	Replace the prefilter and postfilter. Sanitize system.
Water leaking from faucet air gap hole	Drain side of faucet air gap (3/8" tubing) plugged, restricted or incorrectly connected to the drain.	Inspect and eliminate restriction or plug. It is important that there are no dips, loops or low spots in the drain line from the faucet air gap to the drain pipe. Refer to Installation Instructions for proper drain connection. If drain line adapter was used as the drain point, periodic inspection/cleaning is recommended.
System makes product water slowly	This is normal.	Water flow rate will be lower than your regular faucet. It takes 3–4 hours to fill the tank.
	Water supply to the Reverse Osmosis system not within specifications.	Increase water pressure, precondition the water, etc., as needed to conform before doing maintenance on the Reverse Osmosis system.
	Prefilter cartridge plugged with sediments.	Replace the prefilter. If rate does not increase, replace the postfilter, Reverse Osmosis membrane cartridge, flow control and batteries in the faucet base.
	Reverse Osmosis membrane plugged with sediments.	Replace Reverse Osmosis membrane cartridge, flow control and battery in the faucet base.
No Water	Water supply valve not turned on.	Turn water supply valve on. See diagram on page 11.
	After filter change, tank is empty.	It takes 3–4 hours for RO system to provide enough water to fill the tank.
Leaks at fittings	Improperly installed.	Reinstall. See <i>Installation Instructions</i> .
Sounds you may hear	Sink drain, drain water from system.	This is normal. Drain line can be installed to an alternative drain, such as a basement drain. See pages 16 and 17 for alternative drain configurations.
	Faucet air gap—drain water flowing through the faucet air gap. This may be associated with high pressure water supply, generally 80 psi or greater.	Install a pressure regulator in the house water supply system to reduce the pressure below 80 psi. An alternative flow restrictor for high pressure installations is available from GE Appliances (see item #31 on the parts list, page 25). Contact GE Appliance Parts and ask for Flow Restrictor, High Pressure, Part Number WS15X10049.

If you are still having trouble, please visit www.GEAppliances.com/ge/service-and-support/contact.htm or call us at 800.626.2005.

Parts List

PXRQ15RBL and PNRQ15RBL



Parts Catalog

REF. NO.	GE APPLIANCES PART NO.	PART DESCRIPTION	QUANTITY	
			P X R Q 1 5 R B R	P N R Q 1 5 R B L
0001	WS19X10017	MANIFOLD ASSEMBLY	1	1
0002	WS19X10018	HOOD	1	1
0003	FQROPF	PRE AND POSTFILTER SET	1	1
0004	FQROMF	RO CARTRIDGE	1	1
0005	WS03X10047	O-RING KIT (4 LG, 6 SM)	1	1
0006	WS03X10048	FLOW METER CAP & O-RING	1	1
0007	WS15X10050	SHUT-OFF VALVE ASSEMBLY	1	1
0008	WS10X10030	SHUT-OFF COVER & CHECK BALL ASSEMBLY	1	1
0009	WS02X10034	SCREWS, SET OF 7	1	1
0011	WS32X10021	WATER STORAGE TANK	1	1
0014	WS07X10018	TUBING, 1/4" DIA. X 33"—WHITE	1	1
0015	WS07X10019	TUBING, 3/8" DIA. X 33"—WHITE	1	1
0016	WS15X10076	FAUCET SPOUT, CHROME	1	1
0017	WS10X10045	FAUCET BASE, CHROME	1	1
0019	WS60X10016	INLET ADAPTER—NO VALVE	1	1
0021	WS35X10041	SANITIZATION KIT	1	1
0022	WS15X10041	FLOW RESTRICTOR	1	1
0023	WS22X10055	TANK CONNECTOR, 3/8" TUBE	1	1
0024	WS22X10054	FAUCET FITTING, 3/8" TUBE	1	1
0027	WS22X10052	COLLET, 1/4" (SET OF 2)	1	1
0028	WS22X10053	COLLET, 3/8" (SET OF 2)	1	1
0029	WS18X10006	DRAIN LINE ADAPTER	1	1
0031	WS15X10049	FLOW RESTRICTOR, HIGH-PRESSURE	-	-
0999	49-6000065	OWNER'S MANUAL & INSTALLATION INSTRUCTIONS	1	1

GE Appliances Reverse Osmosis System Warranty

GEAppliances.com

All warranty service provided by our SmartWater™ Authorized Servicer Network. To schedule service, call us toll-free at 800.GE.CARES. Please have serial number and model number available when calling for service.

For the period of	GE Appliances will replace
One year From the date of the original purchase	Any part of the Reverse Osmosis Filtration System which fails due to a defect in materials or workmanship. During this limited one-year warranty , GE Appliances will provide, free of charge , all labor and in-home service to replace the defective part.

What GE Appliances will not cover:

- Service trips to your home to teach you how to use the product.
- Improper installation, delivery, or maintenance.
- Failure of the product if it is abused, misused, modified, or used for other than the intended purpose or used commercially.
- Use of this product where water is microbiologically unsafe or of unknown quality, without adequate disinfection. Systems certified for cyst reduction may be used on disinfected water that may contain filterable cysts.
- Filter cartridges, membrane cartridges and batteries after 30 days from date of purchase.
- Damage to the product caused by accident, fire, floods or acts of God.
- Incidental or consequential damage caused by possible defects with this appliance.

EXCLUSION OF IMPLIED WARRANTIES

Your sole and exclusive remedy is product repair as provided in this Limited Warranty. Any implied warranties, including the implied warranties of merchantability or fitness for a particular purpose, are limited to one year or the shortest period allowed by law.

This warranty is extended to the original purchaser and any succeeding owner for products purchased for home use within the USA. If the product is located in an area where service by a GE Appliances Authorized Servicer is not available, you may be responsible for a trip charge or you may be required to bring the product to an Authorized GE Appliances Service location for service. In Alaska, the warranty excludes the cost of shipping or service calls to your home.

Some states do not allow the exclusion or limitation of incidental or consequential damages. This warranty gives you specific legal rights, and you may also have other rights which vary from state to state. To know what your legal rights are, consult your local or state consumer affairs office or your state's Attorney General.

Warrantor: GE Appliances

Staple your receipt here. Proof of the original purchase date is needed to obtain service under the warranty.

Consumer Support

GE Appliances Website

Have a question or need assistance with your appliance? Try the GE Appliances Website 24 hours a day, any day of the year! You can also shop for more great GE Appliances products and take advantage of all our on-line support services designed for your convenience. In the US: GEAppliances.com

Register Your Appliance

Register your new appliance on-line at your convenience! Timely product registration will allow for enhanced communication and prompt service under the terms of your warranty, should the need arise. You may also mail in the pre-printed registration card included in the packing material. In the US: GEAppliances.com/register

Schedule Service

Expert GE Appliances repair service is only one step away from your door. Get on-line and schedule your service at your convenience any day of the year. In the US: GEAppliances.com/ge/service-and-support/service.htm or call 800.432.2737 during normal business hours.

Extended Warranties

Purchase a GE Appliances extended warranty and learn about special discounts that are available while your warranty is still in effect. You can purchase it on-line anytime. GE Appliances Services will still be there after your warranty expires. In the US: GEAppliances.com/ge/service-and-support/shop-for-extended-service-plans.htm or call 800.626.2224 during normal business hours.

Parts and Accessories

Individuals qualified to service their own appliances can have parts or accessories sent directly to their homes (VISA, MasterCard and Discover cards are accepted). Order on-line today 24 hours every day. In the US: GEApplianceparts.com or by phone at 877.959.8688 during normal business hours.

Instructions contained in this manual cover procedures to be performed by any user. Other servicing generally should be referred to qualified service personnel. Caution must be exercised, since improper servicing may cause unsafe operation.

Contact Us

If you are not satisfied with the service you receive from GE Appliances, contact us on our Website with all the details including your phone number, or write to:

In the US: General Manager, Customer Relations | GE Appliances, Appliance Park | Louisville, KY 40225
GEAppliances.com/ge/service-and-support/contact.htm



SISTEMA DE FILTRACIÓN DE ÓSMOSIS INVERSA

INFORMACIÓN DE SEGURIDAD3

ESPECIFICACIONES.....5
 Datos de Rendimiento.....6
 Ficha Técnica del Arsénico.....8

USO DEL SISTEMA DE ÓSMOSIS INVERSA9

INSTRUCCIONES DE INSTALACIÓN.....
 Herramientas y materiales requeridos ...10
 Antes de empezar la instalación 11
 Instalación del Sistema de Montaje.....12
 Suministro de agua de alimentación.....13
 Ensamble del Grifo.....17
 Instalación de la batería18
 Conexión del drenaje de filtración19
 Tanque de almacenamiento y arranque..21

CUIDADO Y LIMPIEZA
 Reemplazo del pre-filtro, post-filtro
 y cartucho22
 Desinfección23
 Kit de prueba del agua23

CONSEJOS PARA LA SOLUCIÓN DE PROBLEMAS 24

GARANTÍA28

SOPORTE AL CONSUMIDOR 30

MANUAL DEL PROPIETARIO E INSTALACIÓN

PNRQ15RBL
PXRQ15RBL

ESPAÑOL



PXRQ15RBL and PNRQ15RBL are Tested and Certified to NSF/ANSI Standards 58 and 42 and CSA B483.1 for the reduction of the claims as specified on the Performance Data Sheet.

Anote aquí los números de modelo de serie:

Modelo No. _____

Serie No. _____

Los podrá encontrar en el soporte.

GRACIAS POR HACER QUE GE APPLIANCES SEA PARTE DE SU HOGAR.

Ya sea que haya crecido usando GE Appliances, o que ésta es su primera vez, nos complace tenerlo en la familia.

Sentimos orgullo por el nivel de arte, innovación y diseño de cada uno de los electrodomésticos de GE Appliances, y creemos que usted también. Entre otras cosas, el registro de su electrodoméstico asegura que podamos entregarle información importante del producto y detalles de la garantía cuando los necesite.

Registre su electrodoméstico GE ahora a través de Internet. Sitios Web y números telefónicos útiles están disponibles en la sección de Soporte para el Consumidor de este Manual del Propietario.

También puede enviar una carta en la tarjeta de inscripción preimpresa que se incluye con el material embalado.



GE APPLIANCES

INFORMACIÓN IMPORTANTE DE SEGURIDAD

LEA TODAS LAS INSTRUCCIONES ANTES DE USAR

Lea, comprenda y siga toda la información de seguridad incluida en estas instrucciones antes de instalar y utilizar los sistemas de ósmosis inversa de GE Appliances. Conserve estas instrucciones para referencia futura.

Uso previsto:

Los sistemas de ósmosis inversa de GE Appliances están diseñados para filtrar agua potable en aplicaciones residenciales, y no han sido evaluados para otros usos. El sistema se coloca típicamente en el lugar de uso, y debe instalarse según las especificaciones de las instrucciones de instalación. Comuníquese con un plomero profesional si no está seguro de cómo realizar la instalación. .

PRECAUCIONES DE SEGURIDAD

- Asegúrese de que el suministro de agua se adapte a las Pautas sobre las especificaciones. Si las condiciones del suministro de agua son desconocidas, contacte a su compañía de suministro de agua o a su departamento local de salud para obtener una lista de contaminantes en su área y de laboratorios certificados por el estado para analizar el agua de consumo.

▲ADVERTENCIA A fin de reducir el riesgo asociado con asfixia:

- No permita que los niños menores de tres años tengan acceso a las partes pequeñas durante la instalación de este producto.

▲ADVERTENCIA A fin de reducir el riesgo asociado con la ingestión de contaminantes:

- No los use con agua que no sea segura a nivel microbiológico o que sea de calidad desconocida sin una desinfección adecuada, antes o después, del sistema. Los sistemas certificados para la reducción de quistes se podrían usar en aguas desinfectadas que puedan contener quistes filtrables.

▲ADVERTENCIA Para reducir el riesgo asociado con voltaje peligroso provocado por un instalador que perforo el cableado eléctrico o tuberías de agua en el área de instalación:

- No instale en cercanía de cableado eléctrico o tuberías que podrían hallarse en el camino de la herramienta perforadora cuando seleccione la ubicación para montar el soporte del filtro.

▲ADVERTENCIA Para reducir el riesgo de lesiones físicas:

- Despresurice el sistema como se indica en el manual antes de quitar el cartucho.

▲ADVERTENCIA Para reducir el riesgo de lesiones físicas debido a una rotura del tanque hidroneumático:

- No se deberá instalar si la presión del agua supera los 120 psi (827 kPa). Si la presión del agua es superior a los 80 psi (552 KPa), deberá instalar una válvula limitadora de presión. Si no está seguro sobre cómo controlar la presión del agua, comuníquese con un plomero profesional.
- No instale donde puedan ocurrir condiciones de golpes hidráulicos. Si existen condiciones de golpes hidráulicos, usted debe instalar un supresor de golpes hidráulicos. Comuníquese con un plomero profesional si no está seguro de cómo controlar esta condición.

- Cuando se instala un dispositivo contra reflujo en un sistema hidráulico, debe instalarse un dispositivo para controlar la presión debido a la expansión térmica.

▲ADVERTENCIA Para reducir el riesgo asociado con irritaciones provocadas por el metabisulfito de sodio durante una instalación:

- El metabisulfito de sodio (CAS 007681-57-4) se utiliza en una solución conservante al 1% dentro de la membrana de ósmosis inversa.
- TPara solicitar una MSDS (ficha de datos sobre seguridad de materiales) relacionada con este producto, llame al 800-364-3577 o visite la página Web http://solutions.3m.com/wps/portal/3m/en_us/msds (haga clic en búsqueda de MSDS). Por emergencias, llame al 800-364-3577 o 651-737-6501 (las 24 horas).

▲ADVERTENCIA Para reducir el riesgo asociado con la ingesta de agua contaminada con desinfectante:

- Después de la instalación, el desinfectante DEBE purgarse del sistema antes del primer uso como se indica en las instrucciones de instalación.

Este sistema se ha sometido a prueba para el tratamiento de agua que contiene arsénico pentavalente (también conocido como As(V), As(+5) o arsenato) en concentraciones de 0,050 mg/L o inferiores. Este sistema reduce el arsénico pentavalente, pero es posible que no elimine otras formas de arsénico. Este sistema es para uso en suministros de agua que contienen un residuo libre de cloro detectable o en suministros de agua que han demostrado contener únicamente arsénico pentavalente. El tratamiento con cloramina (cloro combinado) no es suficiente para garantizar una conversión completa de arsénico trivalente a arsénico pentavalente. Sírvase consultar la sección Información sobre el arsénico en la hoja de datos del desempeño para mayor información.

Este sistema de ósmosis inversa contiene un componente reemplazable que es crucial para la eficiencia del sistema. El componente de ósmosis inversa se debe reemplazar por uno de especificaciones idénticas, según lo define el fabricante, para garantizar la misma eficiencia, y el desempeño de reducción de contaminantes.

LEA Y GUARDE ESTAS INSTRUCCIONES

INFORMACIÓN IMPORTANTE DE SEGURIDAD LEA TODAS LAS INSTRUCCIONES ANTES DE USAR

PRECAUCIONES DE SEGURIDAD (continued)

- **Período prolongado sin uso del sistema de Ósmosis Inversa.** Si el sistema no es usado por una semana o más, abra el grifo de agua del sistema, permita que el sistema se drene. Cierre el grifo y permita que el sistema regenere el suministro de agua.
- La instalación recomendada es debajo del lavaplatos. Sin embargo, la unidad se puede instalar en una ubicación remota, hasta 20 pies de distancia del lavaplatos.
 - Sin embargo, serán necesarios materiales adicionales. Consulte el listado de piezas para obtener materiales adicionales de GE Appliances.
 - Localizar el tanque en el piso de un sótano, con el grifo de un lavaplatos de primer piso podría resultar en cierta pérdida del flujo y capacidad (aproximadamente 20%). Instalar un segundo tanque mejorará este desempeño. Se puede usar un RVKIT.
- Si el sistema de Ósmosis Inversa está conectado a la máquina de hielos de un refrigerador, se requiere de un kit para la conexión a la máquina de hielos (RV KIT). No utilice tubos de cobre para la conexión entre el sistema de Ósmosis Inversa y el refrigerador
- Desinfecte después de instalar el sistema de Ósmosis Inversa y después de dar servicio a las partes interiores, incluyendo la reposición del pre-filtro, post-filtro y cartucho del sistema de Ósmosis Inversa. Es importante tener las manos limpias al manipular las partes internas del sistema. Consulte la sección Desinfección del sistema de Ósmosis Inversa.
- This Reverse Osmosis system contains a replaceable treatment component critical for effective reduction of total dissolved solids. This product water shall be tested periodically to verify that the system is performing satisfactorily. See the The Water Test Kit section.

BASEGÚRESE QU SEGUIR TODOS DE LOS CÓDIGOS DEL ESTADO Y LOCAL.

AVISO: Para reducir el riesgo asociado con daños a la propiedad provocados por pérdidas de agua:

- Lea y siga estas instrucciones antes de instalar y utilizar este sistema.
- La instalación y el uso DEBEN cumplir con todos los códigos de plomería estatales y locales
- Protéjalo del congelamiento, quite el cartucho del filtro cuando se espera que las temperaturas desciendan por debajo de 40° F (4.4°C).
- No instale sistemas en áreas donde las temperaturas ambiente puedan superar los 110° F (43.3° C).
- No instale en líneas de suministro de agua caliente. La temperatura máxima de operación de este sistema de filtro es de 100°F (37.8°C).

- No instale si la presión de agua supera las 120 psi (827 kPa). Si su presión de agua supera las 80 psi (552 kPa), usted debe instalar una válvula limitadora de presión. Comuníquese con un plomero profesional si no está seguro de cómo controlar su presión de agua.
- No instale donde puedan ocurrir condiciones de golpes hidráulicos. Si existen condiciones de golpes hidráulicos, usted debe instalar un supresor de golpes hidráulicos. Comuníquese con un plomero profesional si no está seguro de cómo controlar esta condición.
- Cuando se instala un dispositivo contra reflujo en un sistema hidráulico, debe instalarse un dispositivo para controlar la presión debido a la expansión térmica.

AVISO: Para reducir el riesgo asociado con daños a la propiedad provocados por pérdidas de agua:

- No utilice un soplete u otras fuentes de alta temperatura cerca del sistema de filtro, cartuchos, accesorios plásticos o tubería plástica.
- En los accesorios plásticos, nunca utilice un sellador de tuberías o grasa para rosca de tuberías. Sólo utilice cinta para rosca de PTFE; las propiedades de la grasa para rosca pueden deteriorar el plástico.
- Tenga cuidado al utilizar alicates o llaves de tubos para ajustar accesorios plásticos, porque pueden provocarse daños por un ajustamiento excesivo.
- No instale al rayo del sol directo o al aire libre.
- No instale en cercanía de tuberías de agua que podrían hallarse en el camino de la herramienta perforadora cuando seleccione la ubicación para montar el soporte.
- Instale el filtro en una posición en la que no pueda ser golpeado por otros elementos utilizados en el área de la instalación.
- Verifique que la ubicación y las sujeciones puedan sostener el peso del sistema cuando se halle instalado y lleno de agua.
- Verifique que todas las tuberías y accesorios estén firmes y libres de pérdidas.
- No instale la unidad si faltan las boquillas (piezas 27 y 28 de la página 26). Si faltan las boquillas de los accesorios, comuníquese con el 800.626.2002 (EE.UU.), 800.663.6060 (Canadá- Inglés), 800.362-3869 (Canadá-Francés) para solicitar repuestos.
- Cambie los cartuchos descartables de pre y post-filtro cada 6 meses, con la capacidad nominal o antes si ocurre una reducción notable del caudal de agua.
- Cambie el cartucho descartable de ósmosis inversa cada 24 meses o antes si ocurre una reducción notable en la eficiencia de filtrado.

LEA Y GUARDE ESTAS INSTRUCCIONES

Especificaciones

PAUTAS SOBRE LAS ESPECIFICACIONES

El sistema produce un suministro adecuado de agua potable cada día.

La cantidad que produzca dependerá principalmente de los siguientes aspectos...

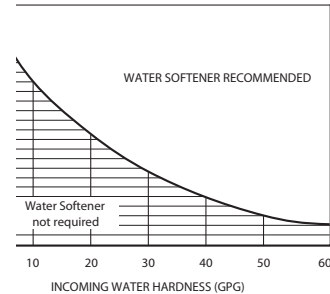
Límites de presión del agua de alimentación—libras por pulgada cuadrada (psi)40–120a

Límites de la temperatura del agua de alimentación—mínimo/máximo grados F.40–100

Máximo de sólidos totales disueltos (TDS)—partes por millón (ppm)2000

Dureza máxima del agua a 6,9 pH recomendado para optimizar la duración de la membrana—granos por galón (gpg)10

Para agua con dureza superior a 10 granos (a 6,9 pH), se recomienda el uso de un descalcificador. No instalar un descalcificador de agua reducirá la duración de la membrana de Ósmosis Inversa. Consulte la gráfica para información adicional sobre la posibilidad de necesitar un descalcificador de agua.



Turbidez máxima (NTU)<2

Máximo hierro, manganeso, sulfuro de hidrógeno (ppm)<0,1

Cloro en el suministro de agua2,0 ppm máximo, permitidob

Límites del pH del agua de alimentación4–10

Capacidad del tanque de almacenamiento—galones4^c

Control de apagado automáticosí

Prefiltro y postfiltro(FQROPF) bloque de carbón

Membrana de Ósmosis Inversa(FQROMF) poliamida de película delgada

Dimensiones del tanque de almacenamiento (pulgadas)altura 15" diámetro 11"

Dimensiones del cuerpo del sistema (pulgadas)altura 11" ancho 10,5" profundidad 4"^m

- a. Si la presión del agua de la casa es superior a 120 psi, instale una válvula reductora de presión en la tubería de suministro del agua. Si la presión del agua de la casa es inferior a 40 psi, instale una bomba impulsora de Ósmosis Inversa (contáctese con la compañía local de suministros de plomería).
- b. Retirado (máximo de 2,0 ppm) por el prefiltro de Ósmosis Inversa. SE REQUIERE MANTENIMIENTO REGULAR. El cloro destruirá la membrana de Ósmosis Inversa.
- c. Capacidad teórica del tanque. Cuando se prueba de acuerdo con el estándar NSF/ANSI 58 a una presión de entrada de 50 psig, la capacidad del tanque es 2,3 galones.

Especificaciones

Ficha de Rendimiento GE Appliances Sistema de Filtración de Ósmosis Inversa Modelo(s): PNRQ15RBL, y PXRQ15RBL

Use el Cartucho(s) de Reemplazo:
FQROPF (pre y pos filtro) y FQROMF
(filtro de la membrana)

Sistema evaluado y certificado por NSF International contra el Estándar 42 de NSF/ANSI y contra el Estándar 58 y CSA B483.1 para la reducción de las sustancias que figuran a continuación.

Se redujo la concentración de las sustancias indicadas en el agua que ingresan en el sistema a una concentración menor o igual al límite permitido para el agua que sale del sistema, como se especifica en NSF/ANSI el Estándar 42, el Estándar 58 y CSA B483.1.

Capacidad: 11,15 galones por día (42,2 Litros por día) Reducción de la Contaminación Determinada por la evaluación del NSF

Reducción de contaminantes	Promedio influyente	Concentración Máxima Especificada por NSF	% Promedio de Reducción	Promedio de Concentración del Agua Procesada	Concentración Máxima Autorizada Aceptable de Agua Procesada	Requisitos de Reducción de NSF	Informe de Evaluación de NSF
Cloro sabor y olor	2,0 mg/L	2,0 mg/L ± 10%	97,5%	0,05 mg/L	N/A	≥ 50%	J-00137933
Partículas Nominales Clase III, ≥5.0 a < 15.0 micras	70,333 pts/mL	Por lo menos 10,000 partículas/mL	99,9%	23 pts/mL	N/A	≥85%	J-00147439
Arsénico (pentavalente)	0,032 mg/L	0,050 mg/L ± 10%	98,1%	0,006 mg/L	0,010 mg/L	N/A	J-00122054
Amianto	136 MFL	10 ⁷ a 10 ⁸ fibras/L; fibras superiores a 10µm de longitud	99,9%	< 1 MFL	NA	99%	J-00122066
Bario	9,6 mg/L	10 mg/L ± 10%	96,8%	0,310 mg/L	2,00 mg/L	N/A	J-00122055
Cadmio	0,028 mg/L	0,03 mg/L ± 10%	98,9%	0,0003 mg/L	0,005 mg/L	N/A	J-00122059
Chromo (Hex.)	0,28 mg/L	0,3 mg/L ± 10% (agregado como hexavalente)	97,2%	0,008 mg/l	0,1 mg/L	N/A	J-00122054
Chromo (Tri.)	0,32 mg/L	0,3 mg/L ± 10% (agregado como trivalente)	96,7%	0,01 mg/l	0,1 mg/L	N/A	J-00122055
Cobre	2,9 mg/L	3,0 mg/L + 10%	99,1%	0,027 mg/L	1,3 mg/L	N/A	J-00122061
Quistes	140,000 Quistes/L	Min 50,000 Quistes/L	99,99%	3 Quistes/L	N/A	≥99,95%	J-00122065
Plomo	0,14 mg/L	0,15 mg/L + 10%	99,1%	0,001 mg/L	0,010 mg/L	N/A	J-00122059
Radio 226/228	25 pCi/L	25 pCi/L ± 10%	80,0%	5 pCi/L	5 pCi/L	N/A	J-00122055
Selenio	0,1 mg/L	0,10 mg/L ± 10% (agregado como ½ selenio et ½ selenato)	97,6%	0,002 mg/L	,05 mg/L	N/A	J-00122057
TDS	760 mg/L	750 mg/L + 40 mg/L	94,5%	42 mg/L	187 mg/L	N/A	J-00122067
Turbiedad	11 NTU	11 ± 1 NTU	99,1%	0,1 NTU	0,5 NTU	N/A	J-00122064

Especificaciones de Funcionamiento	
Presión de Entrada	40-120 psig (2,8-7,0 kg/cm ²)
Temperatura de Entrada	40-100 F° (5-38° C)
Nivel Máximo de TDS	2000 mg/L
Dureza Máxima en 6.9 pH	10 granos por galón (171 mg/L)
Cloro Máximo	2,0 mg/L
Rango del pH	4 - 10
Promedio de Producción Diaria	8,46 gallons/jour (32,0 L/jour)
Promedio de Eficiencia ⁽³⁾	9,05%
Promedio de Recuperación ⁽⁴⁾	19,84%

Notas:

- (1) Evaluado por NSF International de acuerdo con el Estándar 58 de NSF/ANSI o el Estándar 42 de NSF/ANSI.
- (2) NTU significa Unidades de Turbidez Nefelométrica (Nephelometric Turbidity Units).
- (3) Promedio de eficiencia se refiere al porcentaje del agua entrante al sistema que está disponible para el usuario como agua tratada por ósmosis inversa, de acuerdo con condiciones de funcionamiento típicamente adecuada en el uso diario.
- (4) Promedio de recuperación se refiere al porcentaje de agua entrante a la parte de la membrana del sistema que está disponible para el usuario como agua tratada por ósmosis inversa, cuando el sistema es operado sin un tanque de almacenamiento o cuando se aplica al tanque de acumulación una circulación alternativa.

Ficha Técnica de Rendimiento
Sistema de Ósmosis Inversa Profile™
Modelos: PXRQ15FBL, PXRQ15RBL, PNRQ15FBL, and PNRQ15RBL

Aviso: Este sistema fue evaluado de acuerdo con NSF/ANSI 58 para la reducción de las sustancias que figuran a continuación. La concentración de las sustancias indicadas en agua que ingresa al sistema fue reducida a una concentración inferior o igual al límite tolerable de agua que puede dejar el sistema, de acuerdo con lo especificado en NSF/ANSI 58.

Antes de adquirir una unidad de tratamiento del agua, es recomendable que solicite una evaluación de su suministro de agua a fin de determinar sus necesidades reales de tratamiento del agua. La evaluación de NSF/ANSI 58 fue realizada bajo condiciones de evaluación estándar, el rendimiento real puede variar con las condiciones locales del agua.

▲ ADVERTENCIA No usar con agua que no sea segura a nivel microbiológico o que sea de calidad desconocida sin una desinfección adecuada, antes o después, del sistema. Los sistemas certificados para la reducción de quistes se podrían usar en aguas desinfectadas que puedan contener quistes filtrables. Este sistema se debe usar para la reducción de arsénico únicamente en suministros de agua con cloro que contengan cloro puro residual detectable en la entrada del sistema. Los sistemas de agua que utilicen un dispositivo de cloración incluido deberían proveer un tiempo de contacto de un minuto con el cloro antes que el sistema RO (ósmosis inversa). Para conocer detalles adicionales, consulte la Ficha Técnica del Arsénico.

Este sistema de ósmosis inversa cuenta con un prefiltro de carbón, a fin de ayudar a proteger la membrana de ósmosis inversa del deterioro que es inducido por el cloro en el suministro de agua. Este sistema de ósmosis inversa cuenta con componentes de tratamiento reemplazables, que son críticos para la eficiencia del sistema. El reemplazo del componente de la membrana debería ser realizado por uno de especificaciones idénticas, de acuerdo con lo definido por el fabricante, a fin de asegurar la misma eficiencia y rendimiento en la reducción de contaminantes. El agua procesada debería ser evaluada en forma periódica a fin de verificar que el sistema está rindiendo satisfactoriamente. Para más información sobre la instalación, consulte el manual del propietario, instrucciones de uso, reemplazo de componentes y garantía del producto.

Este sistema fue evaluado para el tratamiento de agua que contenga arsénico pentavalente (también conocido como As (V), As (+5), o arseniato) en concentraciones de 0.050 mg/L o menos. Este sistema reduce el arsénico pentavalente, pero es posible que no reduzca otras formas de arsénico. Este sistema debe ser usado en suministros de agua que cuenten con un residuo de cloro puro detectable en la entrada del sistema o en suministros de agua que, según demostraciones, contengan arsénico pentavalente únicamente. El tratamiento con cloramina (cloro combinado) no es suficiente para asegurar la conversión completa del arsénico trivalente a arsénico pentavalente. Para más información, consulte la sección de Información Técnica del Arsénico de la Ficha Técnica de Rendimiento.

Costos de Reemplazo Estimados

FQROPF – Elementos de carbono del Pre y Pos Filtro: \$45 - \$50

FQROMF – Membrana de Ósmosis Inversa: \$75 - \$85

Para el reemplazo de piezas, comuníquese sin costo al 877.959.8688

Especificaciones

Ficha Técnica del Arsénico

Antecedentes

El arsénico (abreviado As) puede producirse de forma natural en el agua de pozo. Existen dos formas de arsénico: arsénico pentavalente (también llamado As(V), AS (+5), y arsenato), y arsénico trivalente (también llamado As(III), AS(+3), y arsenito). Aunque ambas formas son potencialmente nocivas para la salud humana, el arsénico trivalente es considerado más nocivo que el arsénico pentavalente. En el agua de pozo, el arsénico puede ser pentavalente, trivalente, o una combinación de ambos. Información adicional sobre el arsénico en el agua puede ser encontrada en Internet, en el sitio web de la Agencia de Protección Ambiental de EE.UU. (U.S. Environmental Protection Agency, USEPA) en: www.epa.gov/safewater/arsenic.html.

Cómo Evaluar su Agua

El arsénico no tiene color, gusto ni olor en el agua. Debe ser medido a través de un examen de laboratorio. Los servicios públicos de agua deben realizar evaluaciones de arsénico en el agua. Usted puede acceder a los resultados de su servicio de agua. Si posee un pozo propio, puede solicitar la realización de un examen del agua. El departamento de salud local o la agencia estatal de salud medioambiental le podrá brindar una lista de laboratorios certificados. El costo típico es de entre \$15 y \$30.

Reducción del Arsénico Pentavalente vs. Trivalente

Este sistema es muy efectivo para la reducción de arsénico pentavalente en el agua potable. Este modelo fue evaluado en un laboratorio y se probó que reduce 50 partes por millar de millones (ppb) de arsénico pentavalente a menos 10 ppb, el estándar de USEPA para un agua potable segura. Los sistemas RO (ósmosis inversa) no son tan efectivos para reducir el arsénico trivalente del agua. Este modelo no convertirá el arsénico trivalente en arsénico pentavalente. Si posee residuos de cloro puro en el suministro de agua, cualquier arsénico trivalente será convertido en arsénico pentavalente o reducido por este sistema de Ósmosis Inversa. Otros químicos de tratamiento del agua, tales como el ozono y permanganato potásico también cambiarán el arsénico trivalente por arsénico pentavalente. Es posible que un residuo de cloro combinado (también llamado cloramina) no pueda convertir todo el arsénico trivalente en arsénico pentavalente. Los sistemas de agua que utilicen un dispositivo de cloración incluido deberían proveer un tiempo de contacto de un minuto con el cloro antes que el sistema RO (ósmosis inversa). Si recibe el agua de un servicio público de agua, comuníquese con el mismo para averiguar si se utiliza cloro puro o cloro combinado en el sistema de agua

Mantenimiento

Se recomienda enfáticamente que se sigan las instrucciones de mantenimiento que figuran en el manual del propietario y que se realice un control periódico del agua para asegurar que el sistema está funcionando de forma correcta. Para acceder a recomendaciones sobre cómo mantener su sistema de tratamiento del agua potable de Ósmosis Inversa, consulte la información de elementos de reemplazo.

Para IOWA Únicamente

Todas las ventas en Iowa requieren la siguiente firma antes de la consumación de la venta. Estas firmas deberán ser conservadas por el vendedor/ arrendatario por un mínimo de dos años.

Comprador/ Arrendatario _____ Fecha _____

Vendedor _____ Fecha _____

Domicilio del Vendedor _____

Nº Telefónico del Vendedor _____

Producto: Sistemas de Filtrado de Ósmosis Inversa de General Electric: Modelo PXRQ15FBL, PXRQ15RBL, PNRQ15FBL, y PNRQ15RBL.

Uso del Sistema de Ósmosis Inversa

¿Qué hace el sistema de Ósmosis Inversa?

La ósmosis inversa reduce los Sólidos Disueltos Totales (TDS) y la materia orgánica del agua mediante la difusión a través de una membrana especial (ver Hoja de Datos de Desempeño). La membrana separa los minerales e impurezas del agua y los expulsa hacia el desagüe. Consulte la Hoja de datos de desempeño para la reducción de afirmaciones especificadas. El agua producida de alta calidad va directamente hacia el grifo de agua para consumo o hacia el tanque de almacenamiento. El sistema produce un buen suministro de agua para consumo cada día. La cantidad que produzca depende de la presión, temperatura y calidad del suministro de agua.

El pre-filtro y post-filtro son cartuchos reemplazables. El pre-filtro reduce el cloro al mismo tiempo que filtra los sedimentos. El post-filtro reduce cualquier otro sabor u olor no deseados antes de usar el agua.

El sistema incluye una ensambladura de grifo electrónico con un recordatorio de cambio de pre-filtro y post-filtro. Cuando hayan transcurrido 6 meses, una luz azul intermitente le recordará cambiar los dos filtros.

Descripción del sistema de Ósmosis Inversa

Pre-filtro-El agua de la tubería de suministro de agua fría llega al cartucho del pre-filtro. El pre-filtro es un cartucho de sedimentos reemplazable que contiene carbono activado. El pre-filtro reduce el sabor y olor a cloro del agua de suministro porque EL CLORO DESTRUYE LA MEMBRANA DE LA ÓSMOSIS INVERSA. El agua filtrada, limpia, con cloro reducido fluye desde el pre-filtro hacia el cartucho del sistema de Ósmosis Inversa.

Cartucho del sistema Ósmosis Inversa-El cartucho central incluye una membrana especial fuertemente envuelta. El agua penetra a través del cartucho donde la membrana retira los sólidos disueltos y la materia orgánica. El agua producida de alta calidad sale de la caja del sistema de Ósmosis Inversa y se dirige hacia el tanque de almacenamiento. El agua rechazada, con los sólidos disueltos y la materia orgánica, sale de la caja y se descarga en el drenaje a través de un tubo de 1/4".

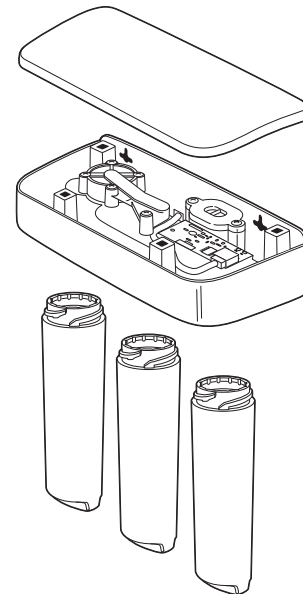
Post-filtro-Después de salir del área de almacenamiento, pero antes de ir hacia el grifo del sistema, el agua producida va hacia el post-filtro. El post-filtro es también un cartucho de sedimento que puede ser reemplazado que contiene carbono activado. Cualquier sabor, olor o sedimentos restantes son retirados del agua producida por el post-filtro. Agua limpia, de alta calidad, lista para tomar fluye a través del tubo hacia el grifo del sistema.

Tanque de almacenamiento-El área de almacenamiento tiene capacidad hasta de 2,5 galones de agua producida. Un diafragma al interior del tanque mantiene el agua presurizada, cuando el tanque está lleno, para un rápido flujo hacia el grifo cuando se necesite consumir agua.

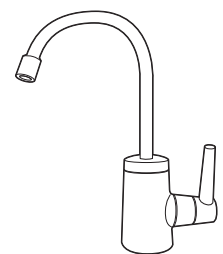
Válvula de revisión-La válvula de revisión evita un flujo inverso del agua producida desde el tanque de almacenamiento. Un flujo inverso podría causar que la membrana del sistema de Ósmosis Inversa se rompiera.

Válvula de apagado automático-Para conservar el agua, el sistema de agua de consumo tiene un apagado automático. Cuando el tanque de almacenamiento ha llenado su capacidad y el grifo de agua de consumo está cerrado, la presión cierra el apagado automático. El flujo de agua hacia la caja del sistema de Ósmosis Inversa se apaga hasta que el agua de consumo se use nuevamente y la presión caiga en el sistema de Ósmosis Inversa.

Control del flujo-El control del flujo regula el flujo de agua a través del cartucho del sistema de Ósmosis Inversa al ritmo requerido para producir agua de alta calidad. El control está ubicado en la tubería de drenaje de 1/4" saliendo del múltiple.



Grifos y electrónicos-El grifo de la encimera dispensa agua potable filtrada cuando se abre. Tiene una palanca operada con las manos, con un ajuste de flujo variable. Usted puede mantener el grifo abierto removiendo sus manos de la palanca una vez el agua comience a fluir. Para cumplir con los códigos de plomería, se construye una tolerancia o huelgo de aire en la conexión de agua del drenaje del grifo.



El grifo electrónico incluye un temporizador de 6 meses para recordarle cuando es el momento de reemplazar el pre-filtro y el post-filtro. Reemplace los filtros cuando la luz azul se torne intermitente con el fin de proteger la membrana y mantener el sistema funcionando correctamente.

Installation Instructions

Sistema de filtración de Ósmosis Inversa
Modelos PXRQ15RBL y PNRQ15RBL

? Si tiene preguntas, llame al 800.626.2005 o bien visite nuestra página Web: GEAppliances.com/ge/service-and-support/contact.htm

▲ ADVERTENCIA

Lea este manual en su totalidad. No seguir todas las pautas y normas podría causar lesiones personales o daños a la propiedad.

- Consulte con la autoridad de obras públicas estatal/local para los códigos de plomería. Deberá seguir estas pautas para instalar el sistema de filtración de agua.

NOTA: No cumplir con estas instrucciones de instalación invalidará la garantía del producto, el instalador será responsable por cualquier servicio, reparación o daños causados.

HERRAMIENTAS Y MATERIALES REQUERIDOS PARA LA INSTALACIÓN

- Taladro y broca de 1-1/2" para taladro (tipo según el requerido) si se necesita montar el grifo
- Dos (2) llaves abiertas ajustables
- Broca de 1/16"
- Cinta de medir
- Destornillador Phillips y recto
- Cuchillo
- Si la tubería principal del agua es rígida, necesitará un accesorio de compresión y posiblemente otros equipos de plomería para completar la instalación.

IMPORTANTE — Para evitar daños al lavaplatos, consulte con un plomero o instalador calificado para los procedimientos de perforación. Podría necesitar brocas especiales para piedra, porcelana o acero inoxidable.

CONTENIDOS INCLUIDOS CON EL PRODUCTO

- Ensamblaje del sistema de Ósmosis Inversa y tubería
- Literatura sobre el producto (manual del propietario e instalación) y hoja de datos funcionamiento
- Ficha Técnica de Rendimiento
- Adaptador de agua de alimentación
- Ensambladura del grifo con monitor electrónico de base y tubos
- Tanque de almacenamiento
- Adaptador de la tubería de drenaje

ANTES DE EMPEZAR LA INSTALACIÓN

Lea estas instrucciones completa y cuidadosamente.

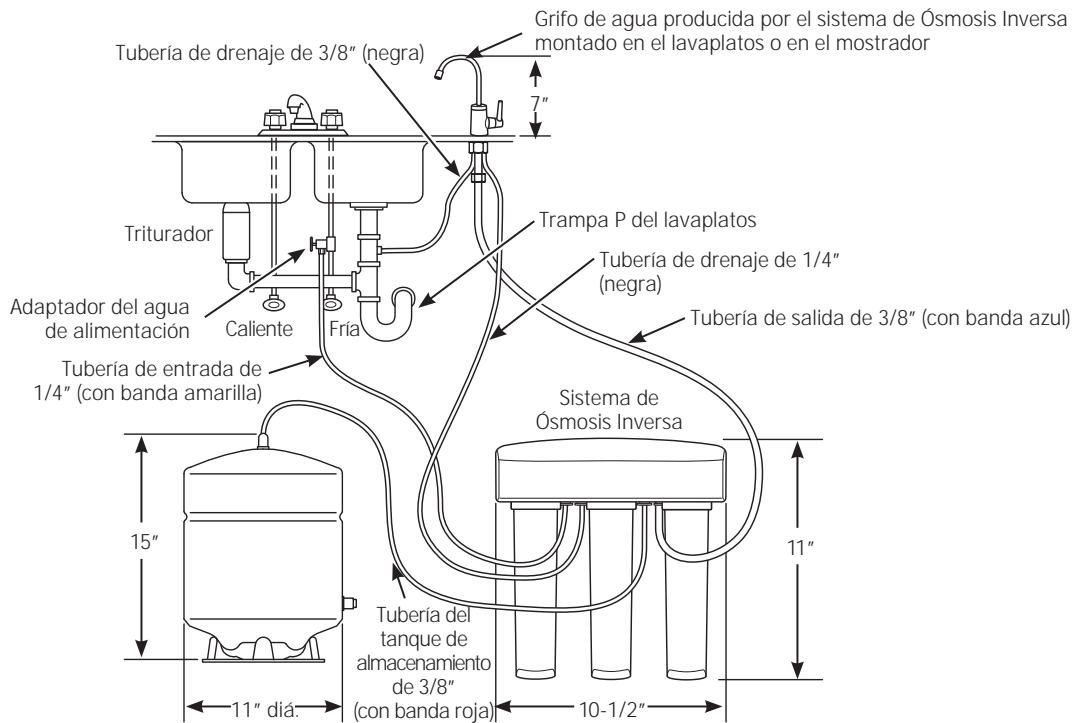
- **IMPORTANTE** — Guarde estas instrucciones para uso del inspector local.

- **IMPORTANTE** — Observe todos los códigos y ordenanzas vigentes.

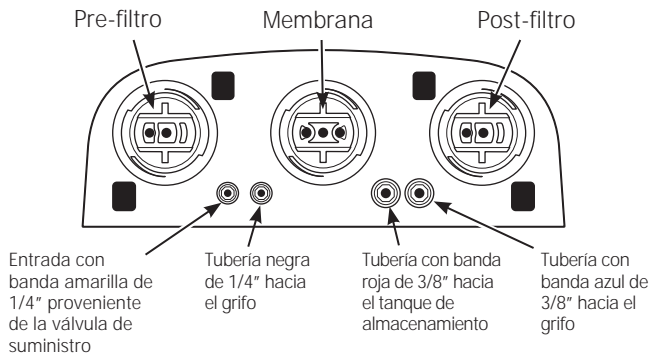
- Nota al instalador — Asegúrese de dejar estas instrucciones al consumidor.
- Nota al consumidor — Conserve estas instrucciones para consultas posteriores.
- La instalación apropiada es la responsabilidad del instalador.
- Las averías del producto causadas por una instalación inadecuada no están cubiertas por la garantía.
- Debe existir una válvula de cierre disponible o se debe agregar una cerca al punto de instalación.

Instrucciones de instalación

COSAS A REVISAR ANTES DE EMPEZAR LA INSTALACIÓN



DETALLE DE LOS TUBOS/FILTRO



CONEXIÓN DEL DRENAJE DE FILTRACIÓN

Un punto de drenaje adecuado y un vacío de aire (consulte los códigos locales) serán necesarios para el agua rechazada del cartucho de la membrana del sistema de Ósmosis Inversa.

GRIFO DEL SISTEMA DE OI

El grifo del agua producida por el sistema de Ósmosis Inversa se instala en el lavaplatos o en la parte superior del mostrador al lado del lavaplatos. Con frecuencia se instala en un orificio existente en el lavaplatos. Se requiere espacio en la parte de abajo para la tubería hacia y desde el grifo, y para asegurar el grifo en su lugar. Todos los conexiones del grifo se instalan sobre o por encima del lavaplatos o mostrador.

AGUA DE ALIMENTACIÓN

El suministro de agua hacia el sistema de Ósmosis Inversa debajo del mostrador debe tener las condiciones enumeradas en las especificaciones. Los suministros de agua locales con frecuencia tendrán estas condiciones. El agua de pozos puede necesitar acondicionamiento—haga que el agua sea analizada por un laboratorio y obtenga sus recomendaciones para tratamiento.

IMPORTANTE — Para aguas con una dureza mayor a 10 granos (a 6,9 pH), se recomienda el uso de un descalcificador. No instalar un descalcificador reducirá la vida del cartucho del sistema de Ósmosis Inversa.

INSTALACIÓN EN SÓTANO

Si se va a instalar en un sótano, deje suficiente tubería en su lugar durante la instalación para poder mover la unidad hacia el piso para mayor facilidad en el servicio y hacer cambios al filtro/membrana. Tubería y accesorios adicionales se necesitarán.

NOTA: Consulte el catálogo de partes en la página 26 que podrían ser necesarias para una instalación en el sótano.

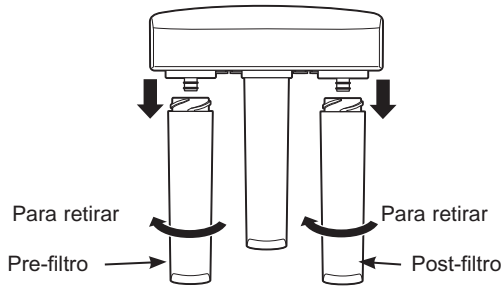
Instrucciones de instalación

Ensambladura del Sistema de Ósmosis Inversa

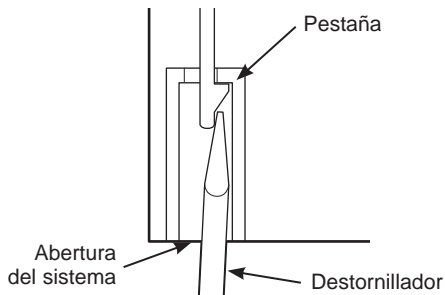
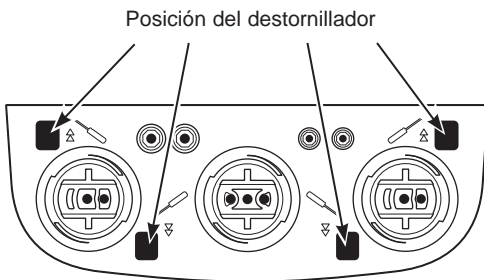
INSTALACIÓN DEL SISTEMA DE MONTAJE

Elija una ubicación debajo del lavaplatos para instalar el sistema. La ubicación debe ser de fácil acceso, con el espacio necesario entre el fondo de los cartuchos de filtro y el piso o el fondo del gabinete para retirar los cartuchos del filtro. Deje suficiente espacio en ambos lados del sistema para las conexiones de los tubos.

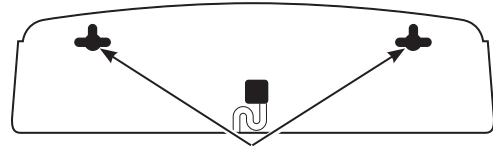
1. Retire los cartuchos de pre-filtro y post-filtro.
2. Retire la tapa de la ensambladura desenganchando las 4 pestañas en la tapa que la unen al sistema.



3. Use un destornillador de cabeza plana para trabajar de izquierda a derecha desde la parte inferior lateral del sistema.
4. Use los símbolos en la parte inferior del sistema para encontrar la posición del destornillador.

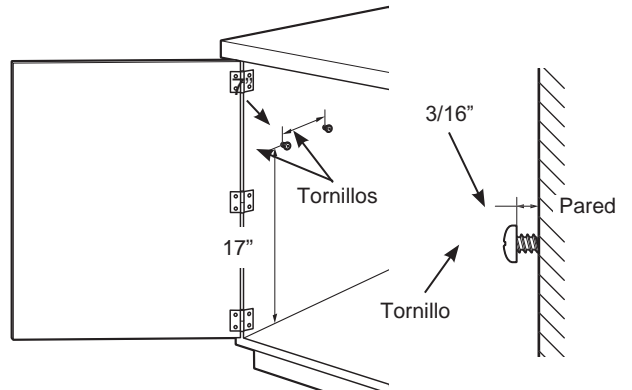


5. Sostenga la ensambladura del sistema de Ósmosis Inversa en la superficie de la pared en donde lo quiera a instalar. Marque la ubicación de los tornillos. Debe haber un espacio mínimo de 17" entre las marcas y el fondo del piso del gabinete.



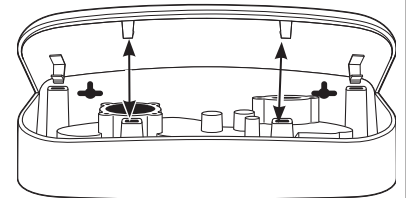
IMPORTANTE — No permita que la suciedad entre al área de la ensambladura. Use sólo para marcar la ubicación de los orificios de montaje.

6. Instale los tornillos hacia la pared, dejando un espacio de 3/16" entre la cabeza del tornillo y la pared (perfore orificios pilotos si son necesarios).

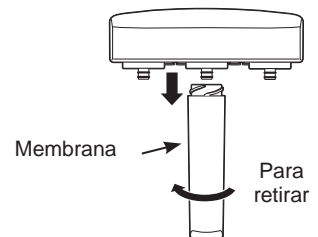


7. Cuelgue la ensambladura del sistema de Ósmosis Inversa en los tornillos. Apriete o afloje los tornillos según lo desee hasta que el sistema esté firme en la pared.

8. Para instalar la tapa, alinee las pestañas delanteras de la tapa con las aberturas en el sistema.



9. Encaje la tapa en su lugar; las pestañas se flexionarán permitiendo que la tapa encaje correctamente.



10. Retire el cartucho de membrana.

Instrucciones de instalación

Suministro de Agua de Alimentación

Revise y cumpla con los códigos locales de plomería al planear, luego instale un accesorio de suministro de agua de alimentación fría.

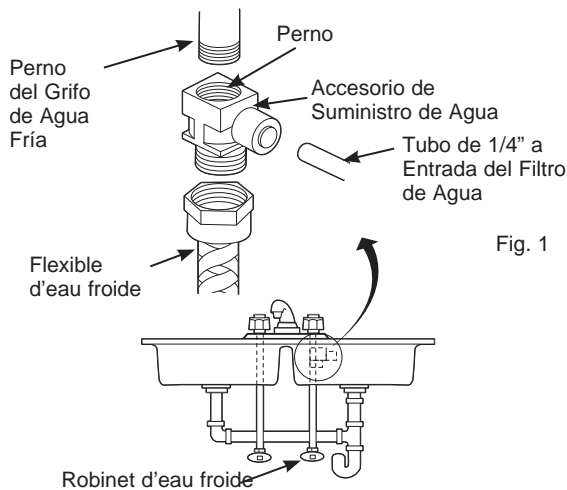
A. INSTALACIÓN PREFERIDA

Uso de la válvula de suministro de agua del fregadero de la cocina y de la tubería extraíble del grifo. En la ilustración que aparece a continuación se muestra una conexión típica usando el accesorio para el suministro de agua incluido.

1. Cierre la válvula de agua que se encuentra inmediatamente en frente del tubo de suministro y abra los grifos para dejar correr agua de la tubería de agua fría del lavabo.
2. Retire la tuerca que conecta el grifo de agua fría al tubo de suministro. Es posible que se derrame un poco de agua.

NOTAS:

- Asegúrese de cerrar el suministro de agua y abra el grifo para drenar la tubería.
- Asegúrese que esté instalada la junta en el accesorio de suministro de agua.



3. Ajuste en forma manual el accesorio de suministro de agua fría en el grifo de agua fría. Asegúrese que el perno, como se muestra, esté en su lugar antes del ensamble final. Termine de colocar con una llave de ajuste. Asegúrese de no forzar ni presionar por demás a fin de evitar dañar la rosca. Asegúrese que la conexión rápida de 1/4" no esté contra una pared que haga que la conexión del tubo de suministro se tuerza. Es posible que se necesite presionar o aflojar el adaptador con un cuarto de giro a fin de evitar esto.
4. Vuelva a conectar la tubería del grifo al accesorio.
5. Instale la tubería. (Consulte la sección de Instalación de la Tubería.)

B. INSTALACIÓN OPCIONAL - 1

Utilizando la válvula existente de suministro de agua del lavaplatos de la cocina (A) y la tubería desmontable del grifo (B).

1. Consulte la ilustración a continuación para la ensambladura completa dependiendo del tamaño de la válvula de suministro (A).
2. Cierre la válvula de suministro de agua fría (A) debajo del tanque.
3. Destornille la tubería flexible (B) de la válvula de suministro (A) que se conecta con la tubería de subida del agua FRÍA.

NOTA: Para tubería rígida, consulte

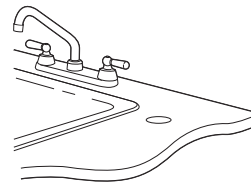
D. INSTALACIÓN OPCIONAL DE TUBERÍA RÍGIDA en la página 14.

Note la orientación del adaptador (C):

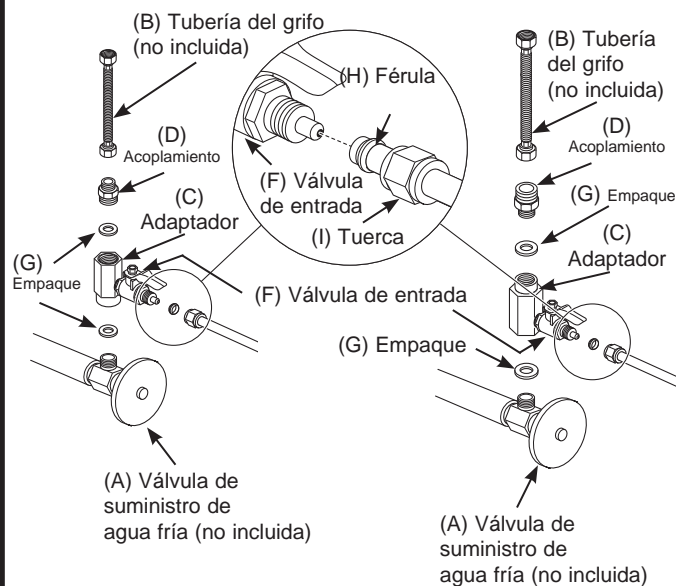
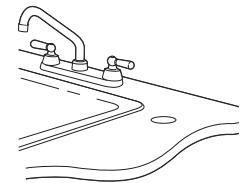
Instalación de 3/8"—El extremo redondeado del adaptador (C) se conecta con la válvula de suministro (A).

Instalación de 1/2"—El extremo redondeado del adaptador (C) se conecta al acoplamiento (D), luego a la tubería existente del grifo (B).

Para plomería de 3/8"



Para plomería de 1/2"



Instrucciones de Instalación

Suministro de Agua de Alimentación (Cont.)

B. INSTALACIÓN OPCIONAL - 1 (cont.)

4. Ensamble el adaptador (C) y el acoplamiento (D) como se muestra en la ilustración de la izquierda, según su configuración. Verifique que el empaque (G) esté en su lugar antes de la ensambladura final. Empiece la instalación a mano, luego termine de apretar con una llave ajustable. Tenga cuidado de no apretar en exceso o cruzar las roscas ya que se podrían dañar.
5. Apriete a mano el adaptador ensamblado (C) en la válvula de suministro (A) para la instalación del tamaño correcto. Cerciórese de que el empaque (G) esté en su lugar antes de la ensambladura final. Empiece la instalación a mano, luego termine de apretar con una llave ajustable. Tenga cuidado de no apretar en exceso o cruzar las roscas ya que se podrían dañar.
6. Vuelva a conectar la tubería del grifo (B), en la parte superior del adaptador (C).
7. Corte las ataduras en los rollos de tubería con cuidado de no dañar los tubos o las partes si utiliza un cuchillo.
8. Retire la tuerca de 1/2" (I) y la férula (H) del extremo de la válvula de entrada. Usando la tubería de banda amarilla que se suministra, coloque la tuerca (I) y la férula (H) en la tubería e instale en la válvula de entrada (F) como se muestra a la izquierda. Apriete con la llave ajustable. Tenga cuidado de no apretar en exceso o cruzar las roscas ya que se podrían dañar.

NOTA: Inspeccione los extremos de las tuberías antes de la instalación para verificar que no haya imperfecciones y que el extremo de la tubería se corte recto. Podría ser necesario cortar la tubería nuevamente.

C. OPTIONAL INSTALLATION 2

Donde los códigos lo permitan
(Partes adicionales necesitarán)

*Para tubería metal de 1/2" DE o más largo únicamente.

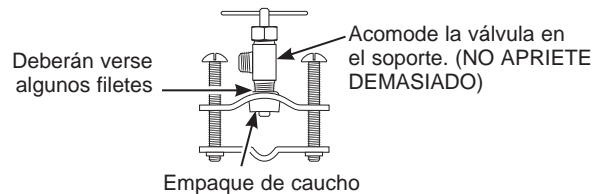
NOTA: Los códigos de ciertos estados requieren que la instalación sea realizada por un plomero certificado y no permite el uso de una válvula de asiento. Para la instalación, utilice el código de plomería 248-CMR del estado de Massachusetts.

La válvula de montura está disponible a través de Partes y Servicios de GE Appliances en el 1.800.626.2002, número de parte WS15X10023. No se recomiendan las válvulas de monturas de auto perforación.

1. Apague el suministro de agua fría y anexe la válvula de montura según sea necesario de acuerdo con la selección del producto. (Cerciórese de seguir las instrucciones de instalación del fabricante).

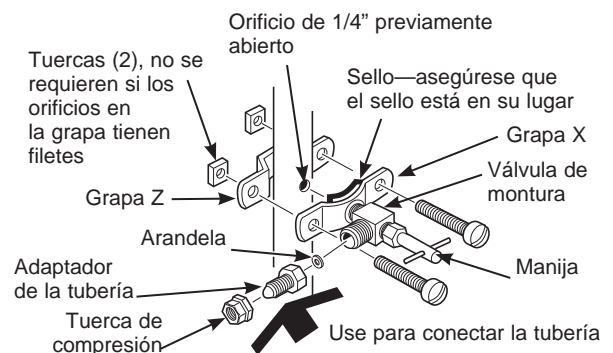
⚠ ADVERTENCIA Muchas casas se conectan electrónicamente a tierra a través de la plomería. Para protegerse de lesiones serias o de choques fatales, use únicamente un taladro manual operado con baterías para abrir el orificio. **NO USE UN TALADRO ELÉCTRICO.**

2. Cierre la válvula de suministro de agua girando la manija en el sentido del reloj.
3. Abra la válvula principal de suministro del agua y varios grifos de la casa para purgar aire del sistema. Cierre los grifos cuando el agua corra suavemente.



Conexión opcional del suministro de agua
(usando válvula de montura)*

*Para tubería metal de 1/2" DE o más largo únicamente.



Suministro de Agua de Alimentación (Cont.)

D. INSTALACIÓN OPCIONAL DE TUBERÍA RÍGIDA

Para instalación con tubería rígida entre la válvula de suministro y el grifo del lavaplatos.

Opción 1

1. Retire el tubo de la válvula de suministro y del grifo de lavaplatos.
2. Obtenga un tubo flexible de acuerdo con el tamaño de la tubería.
3. Instale el tubo flexible.
4. Regrese al paso 4, B. Instalación opcional.

Opción 2

1. Obtenga accesorios de compresión que se ajusten a la tubería rígida.
2. Obtenga cualquier otro accesorio necesario para conectar los accesorios de compresión al adaptador.

NOTA: El adaptador tiene roscas internas y externas de 1/2" y 3/8".

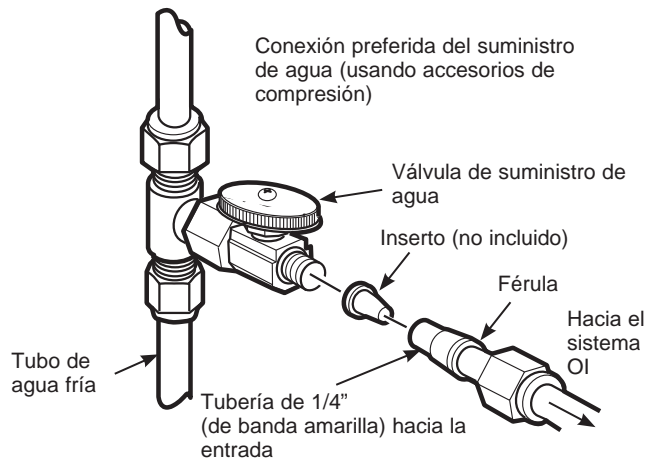
3. Retire el tubo de la válvula de suministro.
4. Corte el tubo para que se ajuste a la longitud de los accesorios ensamblados y al adaptador.
5. Instale el accesorio de compresión en el tubo.
6. Regrese al paso 4, A. Instalación preferida.

NOTA: Los materiales que se describen anteriormente no vienen incluidos con el producto.

E. INSTALACIÓN EN UNA UBICACIÓN REMOTA

(requiere partes adicionales)

1. Cierre el suministro de agua fría.
2. En cumplimiento con los códigos de plomería, instale un accesorio en el tubo de agua fría para adaptar una tubería de 1/4" DE. En la ilustración abajo se muestra una conexión típica. Verifique que se utiliza una válvula de suministro de agua.
3. Si la unidad de Ósmosis Inversa se va a instalar a más de 6 pies de la válvula, reemplace la tubería con banda amarilla con tubería GE de mayor longitud de 1/4". Puede adquirir una longitud de 33 pies de tubería de 1/4" a través de Partes y Servicios de GE en el 1.800.626.2002, número de parte WS07X10018. **NO REEMPLACE CON TUBERÍA DE CALIDAD DESCONOCIDA.**
4. Si la unidad de Ósmosis Inversa se va a instalar a más de 6 pies del grifo, reemplace la tubería con banda azul con tubería GE de mayor longitud de 3/8". Puede adquirir una longitud de 33 pies de tubería de 3/8" a través de Partes y Servicios de GE en el 1.800.626.2002, número de parte WS07X10019. Consulte la sección Instalación del grifo en la página 17 para mayores detalles. **NO REEMPLACE CON TUBERÍA DE CALIDAD DESCONOCIDA.**



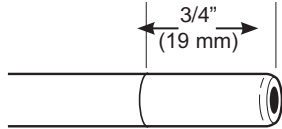
Si está utilizando tubería de cobre, NO los conecte directamente en la unidad de Ósmosis Inversa. Adquiera un conector y utilice una longitud corta de la tubería con banda amarilla que se suministra para hacer la conexión final hacia el sistema de Ósmosis Inversa. No utilice tubería de cobre para conectar a la máquina de helos o al grifo.

Instrucciones de Instalación

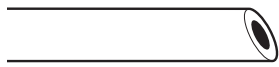
Suministro de Agua de Alimentación (Cont.)

CÓMO INSTALAR LA TUBERÍA AL TANQUE Y AL GRIFO

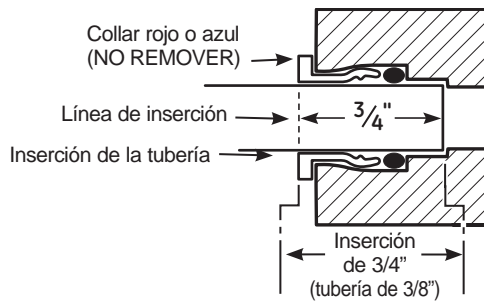
1. Mida $\frac{3}{4}$ " a partir del extremo de cada pedazo de tubería restante (el extremo del grifo y el extremo de entrada) y marque con un lápiz. (Inspeccione y cerciórese de que la superficie está redonda, suave, y que no hay cortes, pinchaduras, rebabas cortantes y puntos planos).



INCORRECTO



2. Empuje la tubería con firmeza hacia cada accesorio en el colector hasta que la línea esté al ras con el collarín de ajuste. (Si la tubería se remueve, corte el extremo otra vez, midiendo, marcando y reinsertando). La tubería debe estar totalmente insertada para evitar fugas. Para remover la tubería: depresione y sostenga depresionado el collar rojo o azul; tire del tubo para remover.



3. Tire de la tubería hacia afuera ligeramente para asegurarse de que existe un buen sello.

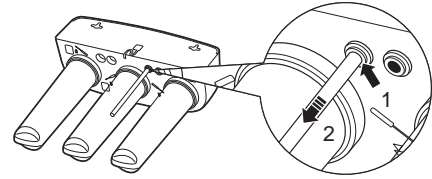
PROCEDIMIENTO DE REEMPLAZO DEL LIMITADOR DE CAUDAL

Cada vez que se cambie el cartucho de Ósmosis Inversa, también se deberá reemplazar el limitador de caudal de la tubería de drenaje.

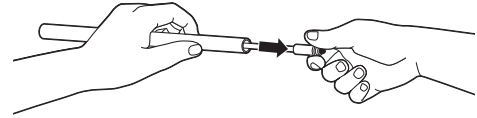
Asegúrese de lavarse las manos antes de manipular las piezas internas del sistema.

PROCEDIMIENTO DE REEMPLAZO DEL ESTRANGULADOR DE FLUJO (cont.)

1. Remueva la tubería de drenaje empujando en el collar de la tubería de drenaje con una mano (1) y moviendo la tubería de drenaje con la otra mano (2).

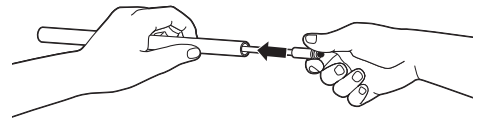


2. Una vez la tubería de drenaje se haya removido de la base del sistema, agarre el extremo del estrangulador de flujo y tire de él directamente hacia afuera a partir de la tubería*. Si el estrangulador es difícil de remover a mano, es posible que usted necesite pinzas para agarrar el extremo del estrangulador y auxiliarse en extraerlo.

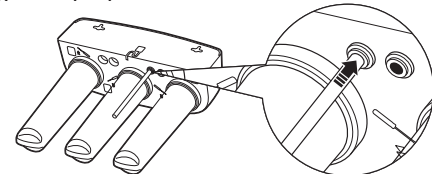


*En algunos casos, el estrangulador podría deslizarse hacia afuera de la tubería de drenaje conforme se remueve del portal de la tubería de drenaje. Si, después de remover la tubería de drenaje como se describe en el Paso 1, el estrangulador ya no está en el extremo de la tubería, inspeccione el portal de la tubería de drenaje. Remueva el estrangulador del portal y proceda al Paso 3.

3. Tome el estrangulador nuevo y deslícelo de regreso en la tubería de drenaje. Inserte el estrangulador usando sus manos solamente. No use pinzas para insertarlo. Asegúrese de insertar el estrangulador hasta el máximo. No hacerlo podría resultar en una operación inapropiada del sistema OI.



4. Reinstale la tubería de drenaje en la base del sistema. Tire ligeramente de la tubería para asegurarse de que el collar está ajustado y que existe un agarre apropiado en la tubería.



Instrucciones de Instalación

Ensambladura del Grifo

INSTALACIÓN DEL GRIFO

Cerchiórese de que haya suficiente espacio debajo y encima del lavaplatos para realizar la conexión necesaria. Antes de empezar, cerchiórese de que haya suficiente espacio para la base del grifo y la unidad. Seleccione uno de los siguientes lugares para instalar el grifo:

- A. En un orificio accesorio rociador existente en el lavaplatos u orificio de dispensador de jabón.
- B. En un orificio a perforar en la parte superior del lavaplatos.
- C. En un orificio a perforar en el mostrador, al lado del lavaplatos.

NOTAS:

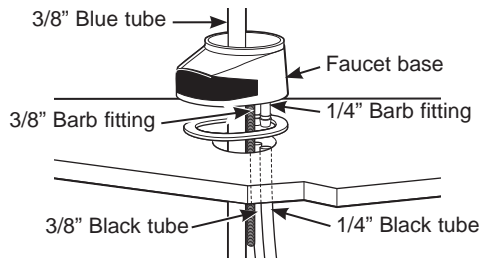
- Cerchiórese de que la base del grifo quede plana contra la superficie en la ubicación seleccionada de manera que el empaque de abajo entre la base y el área de la superficie quede sellado.
- Asegúrese de dejar suficiente espacio libre en la parte trasera del grifo en caso de que necesite quitarlo.

Pasos para la instalación (ver ilustración de abajo para mayor clarificación)

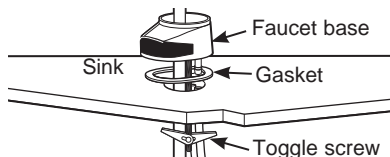
1. Si es necesario perforar, haga un orificio de 1-1/2" de diámetro. Cerchiórese de utilizar el procedimiento correcto para perforar piedra, porcelana o acero inoxidable. Podría necesitar brocas adicionales. Consulte a un plomero calificado para el procedimiento correcto.

NOTA: Cuando realice perforaciones en acero inoxidable, los bordes pueden ser filosos y podrían perforar el tubo. Tenga cuidado de no cortarse o dañar el tubo.

2. Quite el cuerpo del grifo y la base girando la base en sentido contrario de las agujas del reloj.
3. Presione el tubo negro de 1/4" y el tubo negro de 3/8" sobre de los accesorios dentados correctos de la base del grifo. Presione el tubo azul de 3/8" y el cable de energía negro (cable de teléfono) a través de la base.

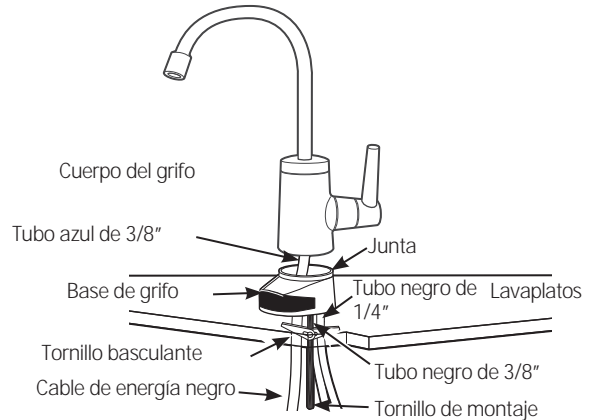


4. Align the gasket to cover the hole completely. Then place the toggle screw on the base into the hole.



INSTALACIÓN DEL GRIFO (CONT.)

5. Ajuste el tornillo basculante hasta que la base esté bien fija en su lugar y no se desplace o gire.
6. Presione el tubo azul de 3/8" hacia arriba para conectarlo al accesorio en la parte inferior del cuerpo del grifo. Debe ingresar alrededor de 3/4". Tire del tubo ligeramente para asegurar que esté bien conectado.

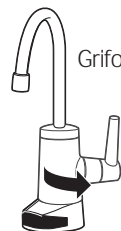


7. Presione el cuerpo del grifo dentro de la base del grifo y gire el grifo en 1/8 de giro en sentido contrario a las agujas del reloj hasta que se detenga en su lugar.

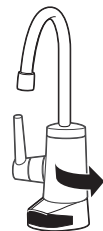
NOTA: El grifo puede instalarse de modo tal que la manija quede del lado derecho o del izquierdo.

Si desea la manija del grifo sobre la derecha, coloque la manija en el lado frontal derecho de la base antes de dar un giro de 1/8 en sentido contrario a las agujas del reloj.

Si desea la manija del grifo sobre la izquierda, coloque la manija en el lado trasero izquierdo de la base antes de dar un giro de 1/8 en sentido contrario a las agujas del reloj.

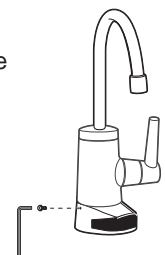


Manija del grifo sobre la DERECHA



Manija del grifo sobre la IZQUIERDA

8. Ubique el orificio en la parte trasera de la base. Introduzca el tornillo y comience a ajustar a mano. Termine de ajustar utilizando la llave Allen provista con el paquete. NO AJUSTE DE MÁS.

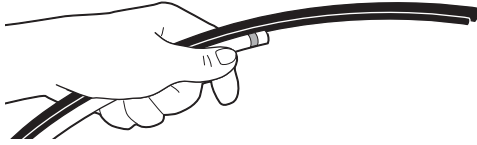


Instrucciones de Instalación

Ensambladura del Grifo (Cont.)

INSTALACIÓN OPCIONAL DE LA TUBERÍA DEL GRIFO POR UNA SOLA PERSONA

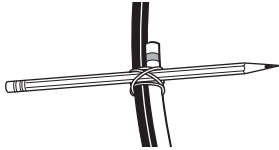
1. Desde la parte inferior del lavaplatos, reúna la tubería de drenaje (negra) de 1/4", la tubería de drenaje (negra) de 3/8" y la tubería de salida (con banda azul) de 3/8" en una mano con las tuberías de drenaje de la misma longitud y la tubería de salida corrida aproximadamente 6".



2. Envuelva un caucho o hule alrededor de los tres tuberías.



3. Inserte un lápiz No. 2 a través del caucho o hule.

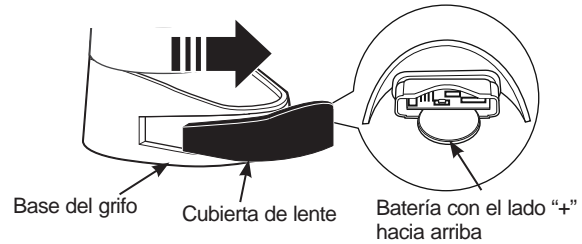


4. Rote el lápiz hacia abajo hasta que esté en línea con la tubería y empuje hacia arriba a través del orificio de montaje. Libere la presión sobre el lápiz y los tubos permanecerán en posición para una más fácil conexión del grifo.



INSTALACIÓN DE LA BATERÍA

1. Quite la cubierta de lente de la base del grifo. Apriétela de ambas caras y tire adelante.
2. Instale una batería 3V CR2032 con el lado "+" hacia arriba dentro de la bandeja de la batería. Deslice la bandeja de la batería por completo dentro de la base.



3. La luz ámbar se iluminará cinco veces. Si desea reiniciar la secuencia de inicio, retire la batería durante 90 segundos de modo que el sistema electrónico se pueda reiniciar completamente; luego vuelva a colocar la batería.
4. Normalmente, la luz está apagada. Luego de 6 meses de uso, la luz LED ámbar titilará cada 30 segundos, indicando que es hora de reemplazar el cartucho del filtro.

NOTA: La luz LED ámbar podrá dejar de titilar si se la deja que titile por un período de tiempo extendido. A fin de asegurar un funcionamiento adecuado, la batería debería ser reemplazada con cada cambio de filtro.

PARA CAMBIAR EL FILTRO: Reemplace la batería cuando cambie el filtro. Quite la batería usada y espere 90 segundos antes de instalar la batería nueva para garantizar una reconfiguración adecuada de los elementos electrónicos para los 6 meses siguientes.

⚠ ADVERTENCIA

A fin de reducir el riesgo asociado con asfixia, inmediatamente descarte la batería reemplazada.

Instrucciones de Instalación

Conexión del Drenaje de Filtración

Revise y cumpla con todos los códigos estatales y locales de plomería.

⚠ PRECAUCIÓN

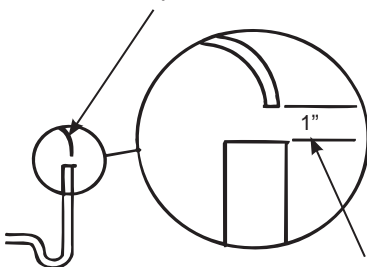
Las opciones detalladas a continuación son las ÚNICAS configuraciones aprobadas para instalación. No use ningún dispositivo de montura de drenaje.

NOTA: No cumplir con estas instrucciones de instalación invalidará la garantía del producto, y el instalador será responsable por cualquier servicio, reparación o daños causados.

INSTALACIÓN PREFERIDA: OPCIÓN A—INSTALACIÓN DE ACCESO AL SÓTANO

Enrute la tubería de drenaje (negro, 1/4") DIRECTAMENTE desde el sistema de Ósmosis Inversa hacia una torre depósito en el sótano, pasando el vacío de aire provisto en el grifo. La instalación del vacío del aire se deja a discreción del instalador. El tubo de drenaje puede también ser enrutado en el sótano hacia un drenaje del piso o tina de lavar, siempre y cuando el vacío de aire en el sótano se mantenga. Existen accesorios especiales de vacío del aire para conectar el tubo de drenaje a la parte superior de la torre depósito.

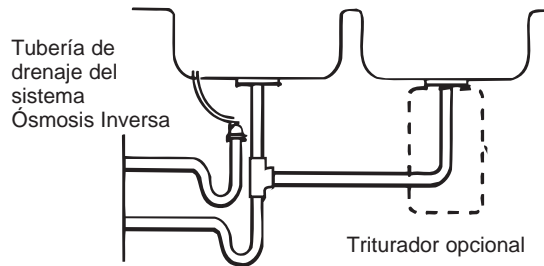
Tubería de drenaje del sistema de Ósmosis Inversa



Se debe mantener un espacio de aire mínimo de 1"

INSTALACIÓN PREFERIDA: OPCIÓN B— INSTALACIÓN DE VENTILACIÓN SECA Y TRAMPA EN P

Instale una trampa en P con ventilación seca debajo del lavaplatos para usar exclusivamente en la tubería de drenaje del sistema de Ósmosis Inversa. Una trampa en P con ventilación seca es una que tiene su propia ventilación/ conducto vertical. Una el adaptador de la tubería de drenaje a la trampa en P y asegúrelo con la tuerca y arandela como se muestra. La tubería de drenaje se DEBE dirigir a través del vacío de aire dispuesto en el grifo de agua del sistema de Ósmosis Inversa.

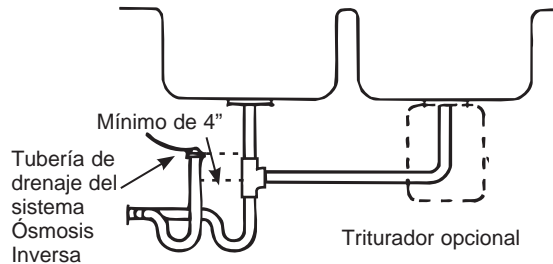


Instrucciones de Instalación

Conexión del Drenaje de Filtración (Cont.)

INSTALACIÓN PREFERIDA: OPCIÓN C—INSTALACIÓN DE VENTILACIÓN HÚMEDA Y TRAMPA EN P

Instale una trampa en P debajo del lavaplatos para usar exclusivamente en la tubería de drenaje del sistema de Ósmosis Inversa. Una trampa en P con ventilación húmeda es una que comparte una ventilación común. Una el adaptador de la tubería de drenaje a la trampa en P y asegúrelo con la tuerca y arandela como se muestra. La tubería de drenaje se DEBE dirigir a través del vacío de aire dispuesto en el grifo de agua del sistema de Ósmosis Inversa. Localice la trampa en P del sistema de Ósmosis Inversa lo más alto posible (mínimo 4" por encima de forma horizontal).



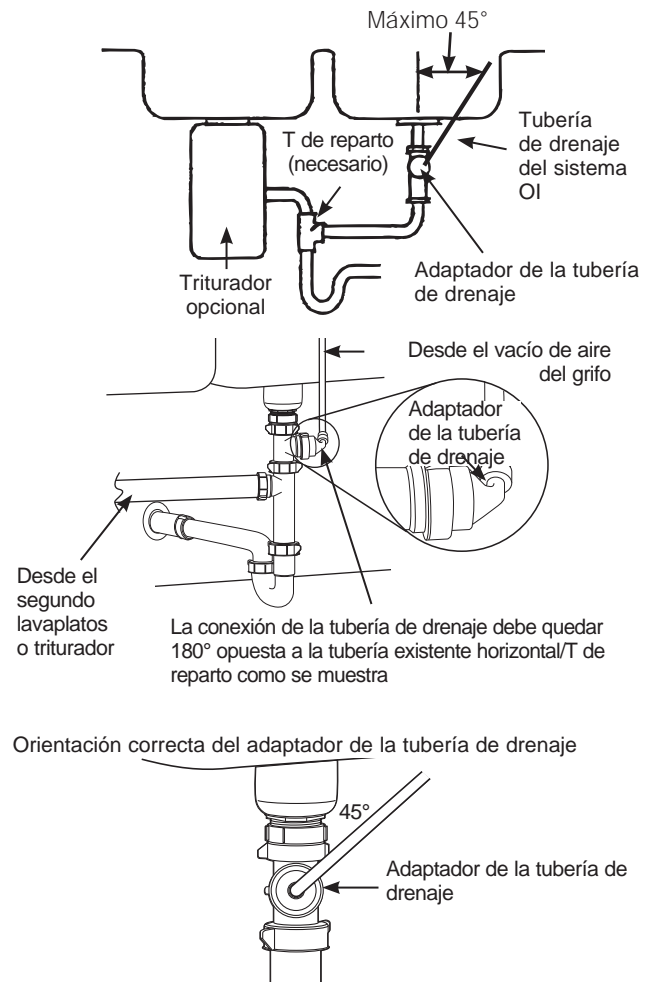
INSTALACIÓN SECUNDARIA: OPCIÓN D—INSTALACIÓN DEL ADAPTADOR DE LA TUBERÍA DE DRENAJE

AVISO: El uso de la opción D podría resultar en una obstrucción bajo condiciones adversas y requiere inspección/limpieza por parte del usuario.

NO INSTALE LA TUBERÍA DE DRENAJE EN FORMA DESCENDENTE A PARTIR DEL TRITURADOR O EN UNA TUBERÍA HORIZONTAL.

INSTALACIÓN SECUNDARIA: OPCIÓN D—INSTALACIÓN DEL ADAPTADOR DE LA TUBERÍA DE DRENAJE (Cont.)

Instale el adaptador de la tubería de drenaje debajo del lavaplatos como se muestra (partes incluidas). Se debe instalar una T de reparto como se exhibe para evitar una obstrucción en la tubería de drenaje del sistema de Ósmosis Inversa. Dirija la tubería de drenaje desde el vacío de aire hacia el adaptador de la tubería de drenaje, asegurándose de que no haya caídas, vueltas o puntos bajos en la tubería. El adaptador de la tubería de drenaje se debe alinear verticalmente de manera que los puntos de conexión de la manguera estén hacia arriba (la conexión de la manguera nunca debe caer por debajo de los 45 grados de esta posición vertical). Esta instalación PODRÍA resultar en un ruido ligero del drenaje en el lavaplatos cuando el sistema de Ósmosis inversa esté regenerando. Si esto ocurre, simplemente coloque la tapa de drenaje del lavaplatos en el sumidero para eliminarlo.

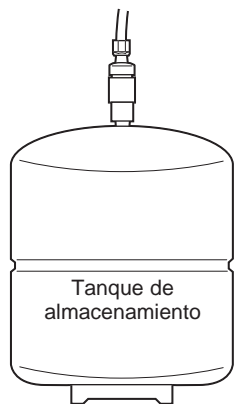
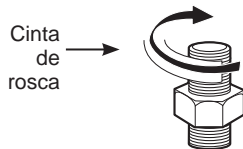


Instrucciones de Instalación

TANQUE DE ALMACENAMIENTO Y ARRANQUE

INSTALACIÓN DEL TANQUE DE ALMACENAMIENTO

1. Retire la tapa protectora del tanque.
2. Aplique 2–3 vueltas de cinta, en dirección del reloj, a las roscas del tanque.
3. Instale los accesorios de presión para conectar en el accesorio enroscado del tanque como se muestra.
4. Empuje la tubería de banda roja de 3/8" desde el sistema de Ósmosis Inversa hacia el accesorio en el tanque de almacenamiento.



PROCEDIMIENTO PARA EL ARRANQUE DEL SISTEMA

IMPORTANTE — Si se está instalando la unidad en una construcción nueva, verifique que la plomería de la casa se purgue completamente antes de abrir la válvula de suministro.

1. Verifique que todas las conexiones de la tubería estén seguras.
2. Encienda la válvula de suministro del agua de alimentación.
3. Verifique todos los puntos de conexión en busca de fugas.
4. Siga los procedimientos de desinfección de la página 23.
5. Después de completar la desinfección, vuelva a instalar el pre-filtro, post-filtro y cartuchos de Ósmosis Inversa.
6. La membrana contiene un preservativo de grado de alimentos. Permita que el sistema llene el tanque, luego drénelo completamente 4 veces antes de usar el agua del sistema.
7. Vuelva a revisar todos los puntos de conexión de agua unos días después en busca de fugas pequeñas.

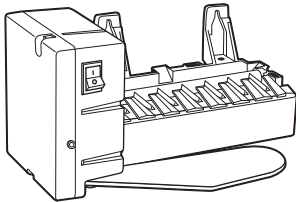
Cuidado y limpieza

Procedimiento de reemplazo del pre-filtro, post-filtro y cartucho de membrana del sistema de Ósmosis Inversa

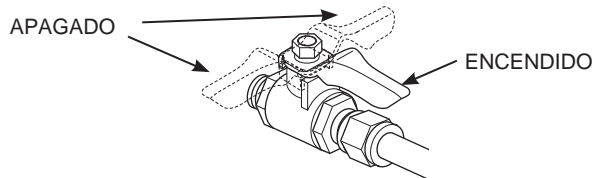
Cuando la luz azul en la base del grifo está intermitente, es el momento de reemplazar el pre-filtro y post-filtro. Esto ocurrirá cada seis meses.

Cerciórese de lavarse las manos antes de manipular partes interiores del sistema.

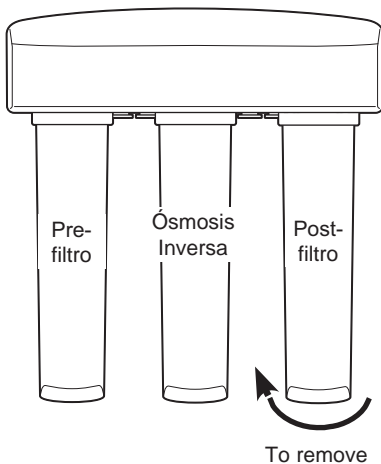
1. Apague la máquina de hielo (si está unida al sistema).



2. Apague el suministro de agua hacia el sistema.



3. Encienda el grifo hacia el tanque de drenaje (podría tomarse varios minutos). Cierre el grifo cuando el tanque esté vacío.
4. Retire el pre-filtro, post-filtro y el cartucho de Ósmosis Inversa rotando hacia la izquierda aproximadamente un tercio de giro.

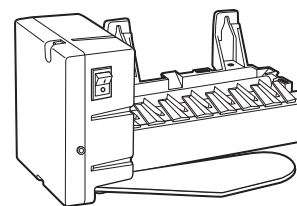


5. Siga el procedimiento de Cómo desinfectar el sistema de Ósmosis Inversa en la página 23.

6. Retire el aluminio que viene encima de los nuevos cartuchos de reemplazo. Instale los nuevos cartuchos en el colector girando hacia la derecha aproximadamente un tercio de giro hasta que las marcas de alineación queden alineadas y los cartuchos paren. **NO APRIETE EN EXCESO.** Los cartuchos se levantarán a medida que giran.

NOTA: El prefiltro y posfiltro son idénticos. Usted puede instalar cualquier filtro en la posición de filtro o posfiltro. El cartucho de osmosis inversa se instala en la posición central.

7. Encienda el suministro de agua para llenar el sistema (puede tomar hasta 4 horas). Revise en busca de fugas.
8. Retire la bandeja de la batería y reemplace la batería, con el lado positivo “+” hacia la parte superior, para re-inicializar el temporizador y monitorear la función en la base del grifo (consulte la sección Instalación de la batería para el procedimiento correcto).
9. Si únicamente el pre-filtro y el post-filtro se reemplazan, abra el grifo y llene y vacíe el tanque de almacenamiento dos (2) veces. Si el cartucho de membrana se reemplaza, llene y desocupe el tanque de almacenamiento un total de cuatro (4) veces. (Esto eliminará los preservativos de grado de alimentos contenidos en las nuevas membranas. Este preservativo le dará al agua un sabor y olor desagradables).
10. Una vez que el tanque de almacenamiento esté lleno,



encienda la máquina de hielos.

NOTA: El sistema debe desinfectarse cuando se reemplace el cartucho de pre-filtro y post-filtro o el cartucho de Ósmosis Inversa. Siga el procedimiento Cómo desinfectar el sistema de Ósmosis Inversa en la página 23.

Cuidado y limpieza

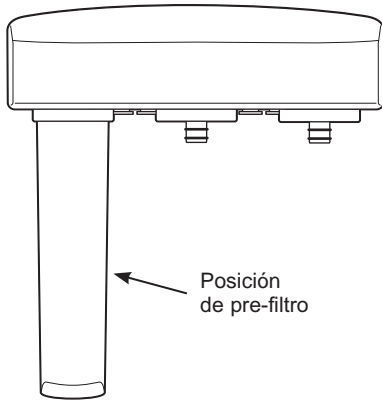
Cómo desinfectar el sistema de Ósmosis Inversa

Desinfecte el sistema en el momento de instalación del sistema de Ósmosis Inversa y después de realizar servicio a las partes internas, incluyendo el reemplazo del pre-filtro, post-filtro y el cartucho de membrana.

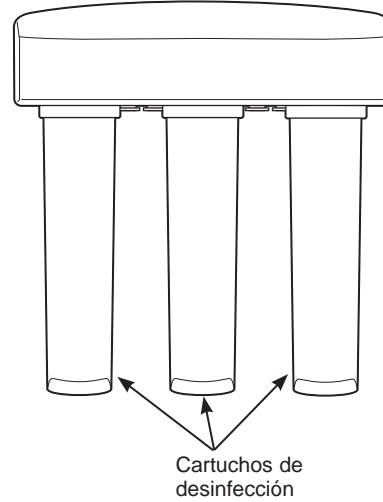
Cerciórese de lavarse las manos antes de manipular las partes internas del sistema.

IMPORTANTE — Antes de la desinfección, verifique que retiró todos los cartuchos. El cloro destruirá el cartucho de membrana de Ósmosis Inversa.

1. Siga los pasos del 1 al 4 en la sección Procedimiento de reemplazo del pre-filtro, post-filtro y cartucho de membrana del sistema de Ósmosis Inversa.
2. Llene el cartucho vacío marcado como "cartucho de desinfección" con agua hasta quedar a una pulgada de la abertura superior. Agregue 1 oz. (2 cucharadas) de blanqueador común sin aroma. Instale el cartucho en la posición del cartucho de pre-filtro girando hacia la derecha un tercio de giro aproximadamente, hasta que las marcas de alineación queden alineadas y el cartucho pare.



3. Instale los 2 cartuchos de desinfección adicionales en las aberturas en el colector para el cartucho de membrana y de post-filtro girando hacia la derecha un tercio de giro aproximadamente, hasta que las marcas de alineación queden alineadas y el cartucho pare.



4. Abra la válvula de agua. Abra el grifo hasta que el agua empiece a fluir, luego cierre el grifo. Deje que el sistema se llene por 10 minutos.
5. Abra el grifo y deje que el agua fluya por 20 minutos o hasta que el olor a blanqueador desaparezca. Cierre el suministro de agua nuevamente. Abra el grifo para drenar el sistema.
6. Una vez que el sistema se drene, cierre el grifo y retire los cartuchos girando hacia la izquierda un tercio de giro aproximadamente. Guárdelos en lugar seguro hasta que los necesite nuevamente.

Para obtener filtros de repuesto, llame sin costo a Repuestos de electrodomésticos de GE Appliances al 877.959.8688, o visite la tienda donde adquirió el sistema de Ósmosis Inversa.

Repuesto de cartucho pre-filtro/post-filtro FQROPF	Bloque de carbono
Repuesto de cartucho del sistema de Ósmosis Inversa FQROMF	Poliamida de película delgada

⚠ ADVERTENCIA Para reducir el riesgo de lesiones físicas:

Despresurice el sistema como se indica en el manual antes de quitar el cartucho

Kit de prueba del agua

Para obtener un kit de prueba del agua de un laboratorio independiente, llame a Legend Technical Services al 1.800.949.8220 y deje sus datos para contactarlo. Ellos le contactarán para averiguar qué pruebas de agua le interesan, y le informarán sobre el costo de las pruebas. Luego recibirá un kit que incluye todas las pruebas necesarias para indicar correctamente el nivel de desempeño de su sistema. El agua del producto se debe someter a prueba como mínimo cada seis meses.

NOTA: Cuando la reducción de los sólidos totales disueltos (TDS) del sistema caiga por debajo del 75%, es el momento de reemplazar el cartucho de Ósmosis Inversa además del pre-filtro y post-filtro.

Consejos para la Solución de Problemas... Antes de solicitar el servicio técnico

¡Ahorre tiempo y dinero! Revise las tablas en las siguientes páginas primero y quizás no necesite llamar a solicitar un servicio.

Problema	Posible causas	Qué hacer
El agua tiene burbujas de aire y está turbia	Aire en el sistema después de la instalación.	Desaparecerá después de que el agua corra por un tiempo.
<i>La luz indicadora de la base del grifo no funciona</i>	Las batería se instalaron incorrectamente o son expandida.	Observe la orientación en la página 68 para instalación correcta. Reemplace las batería si son viejas.
	Las baterías están agotadas.	Use batería nueva CR2032, de 3 voltios.
<i>Sabor y/u olor a cloro en el agua producida por el sistema de Ósmosis Inversa</i>	El nivel de ppm de cloro en su suministro de agua supera los límites máximos y ha destruido la membrana del sistema de Ósmosis Inversa.	Si el suministro de agua contiene más de 2,0 ppm de cloro, se necesita filtración adicional del suministro de agua hacia el sistema de Ósmosis Inversa. Corrija esta condición antes de hacer mantenimiento al sistema de Ósmosis Inversa.
	El cartucho de osmosis inversa ya no reduce la cantidad requerida de sólidos disueltos totales.	Reemplace el cartucho de la membrana, control del flujo, rejilla, pre-filtro, post-filtro y baterías en la caja electrónica del sistema de Ósmosis Inversa.
<i>Otro sabor y/u olor</i>	Agua producida de alta calidad puede tener un sabor diferente al que está acostumbrado.	Esto es normal.
	Bajo uso de agua.	Drene completamente el sistema y permita que se vuelva a llenar.
	Contaminación en almacenamiento del agua producida.	Siga los procedimientos de desinfección.
	El pre-filtro, post-filtro y/o el cartucho deben ser cambiados.	Reponga el pre-filtro y post-filtro. Desinfecte el sistema.
Agua goteando del orificio del vacío de aire del grifo	El lado de drenaje del vacío de aire del grifo (tubería de 3/8") está obstruido, restringido o incorrectamente conectado hacia el punto de drenaje.	Inspeccione y elimine obstrucciones o bloqueos. Es importante que no haya hundimientos, vueltas o caídas en la tubería de drenaje desde el vacío de aire del grifo hacia la tubería de drenaje. Consulte las Instrucciones de instalación para una conexión apropiada del drenaje. Si el adaptador de la tubería de drenaje se usó como el punto de drenaje, se recomienda una inspección/limpieza periódica.
El sistema produce el agua muy lentamente	Esto es normal.	El ritmo de flujo del agua será inferior que el de su llave normal. Para llenar el tanque necesitará 3–4 horas.
	El suministro de agua hacia el sistema Ósmosis Inversa no está dentro de las especificaciones.	Aumente la presión del agua, preacondicione el agua, etc., según sea necesario para adaptarse antes de hacer mantenimiento el sistema de Ósmosis Inversa.
	El cartucho de pre-filtro está obstruido con sedimentos.	Reemplace el pre-filtro y post-filtro. Si el ritmo no aumenta, reemplace el cartucho del sistema de Ósmosis Inversa, control del flujo y las baterías en la base del grifo.
	El cartucho del sistema de Ósmosis Inversa está obstruido con sedimentos.	Reemplace el cartucho del sistema de Ósmosis Inversa, control del flujo y la batería en la base del grifo.

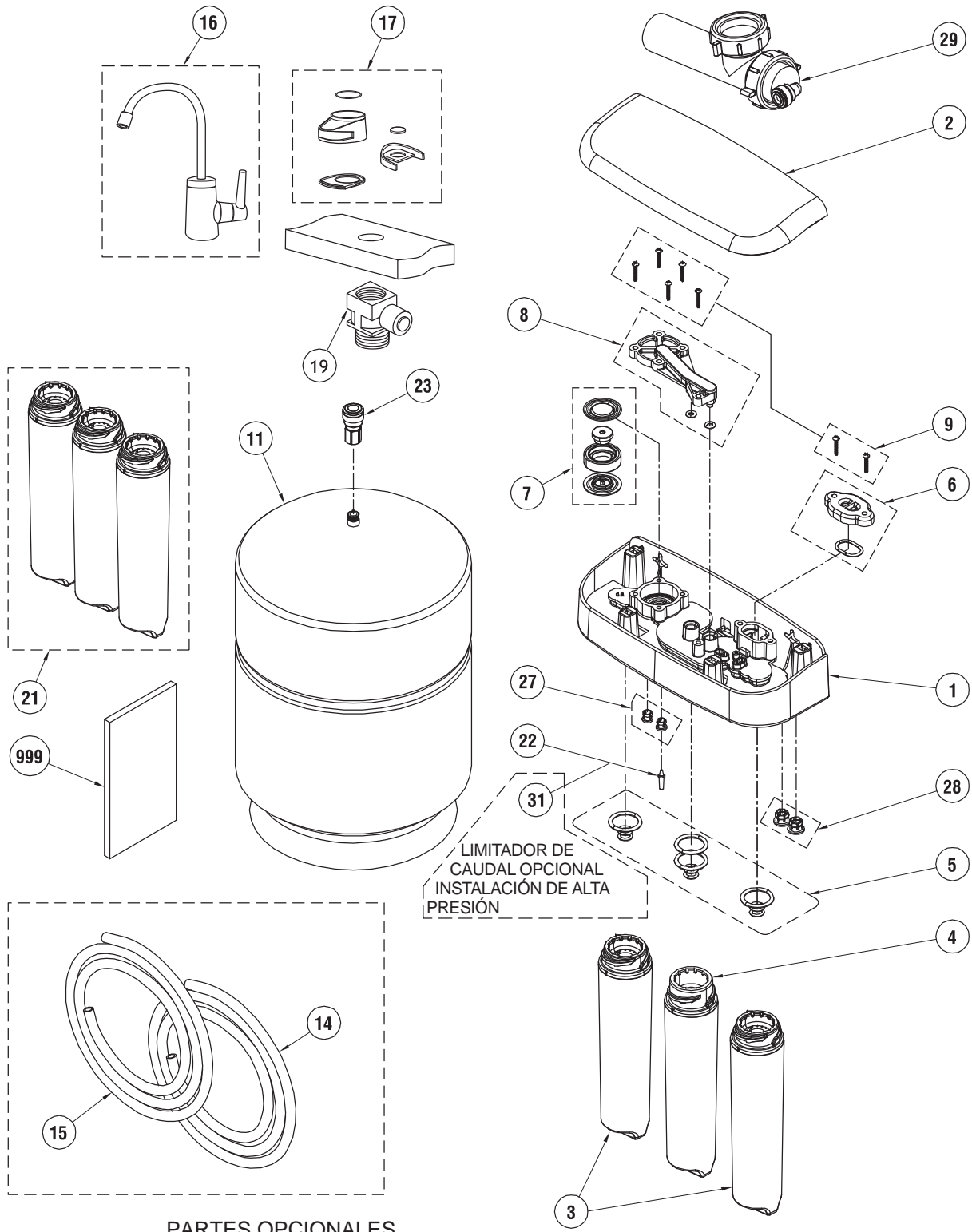
Consejos para la Solución de Problemas... Antes de solicitar el servicio técnico

Problema	Posible causas	Qué hacer
No hay agua	La válvula de suministro de agua no está abierta.	Abra la válvula de suministro de agua. Consulte el diagrama en la página 65.
	Después del cambio de filtro, el tanque está vacío.	Se necesitan entre 3 y 4 horas para que el sistema de Ósmosis Inversa suministre suficiente agua para llenar el tanque.
Fugas en los accesorios	Instalados incorrectamente.	Vuelva a instalar. Consulte las instrucciones de instalación.
Sonidos que usted podría escuchar	Drenaje del lavamanos, agua de drenaje del sistema.	Esto es normal. La tubería de drenaje se puede instalar en un drenaje alternativo, como en un drenaje de sótano. Consulte las páginas 69 y 70 para configuraciones de drenaje alternativos.
	Vacío de aire en el grifo— el agua de drenaje fluye a través del vacío de aire en el grifo.	Instale un regulador de presión en su sistema de suministro de agua de la casa para reducir la presión por debajo de 80 psi.
	Este podría estar asociado con la presión alta del suministro de agua, generalmente a 80 psi o mayor.	GE tiene un estrangulador de flujo para presión de agua alta (Consulte el artículo #31 en la lista de partes, página 78). Póngase en contacto con el Departamento de Partes de GE y pida un Estrangulador de flujo, de presión alta, Número de parte WS15X10049

Si aún tiene problemas, visite www.GEAppliances.com/ge/service-and-support/contact.htm o llámenos al 800.626.2005.

Lista de partes

PXRQ15RBL, PNRQ15RBL



LIMITADOR DE CAUDAL OPCIONAL
INSTALACIÓN DE ALTA PRESIÓN

PARTES OPCIONALES
PARA INSTALACIÓN REMOTA

Catálogo de partes

NO. REF.	PARTE NO.	DESCRIPCIÓN DE LA PARTE	CANTIDAD	
			P X R Q 1 5 R B R	P N R Q 1 5 R B L
0001	WS19X10017	ENSAMBLADURA DEL COLECTOR	1	1
0002	WS19X10018	TAPA	1	1
0003	FQROPF	JUEGO DE PRE- Y POST-FILTRO	1	1
0004	FQROMF	CARTUCHO DE ÓSMOSIS INVERSA	1	1
0005	WS03X10047	KIT DE ARO TÓRICO (4 GRANDES, 6 PEQUE—OS)	1	1
0006	WS03X10048	TAPA DEL MEDIDOR DEL FLUJO Y ARO TÓRICO	1	1
0007	WS15X10050	ENSAMBLADURA DE LA VÁLVULA DE CIERRE	1	1
0008	WS10X10030	TAPA DE CIERRE Y ENSAMBLADURA DE LA BOLA DE RETENCIÓN	1	1
0009	WS02X10034	TORNILLOS, JUEGO DE 7	1	1
0011	WS32X10021	TANQUE DE ALMACENAMIENTO DE AGUA	1	1
0014	WS07X10018	TUBERÍA, 1/4" DIA. X 33"—BLANCO	1	1
0015	WS07X10019	TUBERÍA, 3/8" DIA. X 33"—BLANCO	1	1
0016	WS15X10076	PICO DEL GRIFO, CROMO	1	1
0017	WS10X10045	BASE DEL GRIFO, CROMO	1	1
0019	WS60X10016	KIT ADAPTADOR DEL AGUA DE ALIMENTACIÓN	1	1
0021	WS35X10041	KIT DE DESINFECCIÓN	1	1
0022	WS15X10041	LIMITADOR DEL FLUJO	1	1
0023	WS22X10055	CONECTOR DEL TANQUE, TUBERÍA DE 3/8"	1	1
0024	WS22X10054	UNIÓN DEL GRIFO, TUBO DE 3/8"	1	1
0027	WS22X10052	BOQUILLA, 1/4" (JUEGO DE 2)	1	1
0028	WS22X10053	BOQUILLA, 3/8" (JUEGO DE 2)	1	1
0029	WS18X10006	ADAPTADOR DEL TUBERÍA DE DRENAJE	1	1
0031	WS15X10049	ESTRANGULADOR DE FLUJO, DE PRESIÓN ALTA	-	-
0999	49-6000065	MANUAL DEL PROPIETARIO Y INSTALACIÓN	1	1

Garantía del Sistema Ósmosis Inversa

GEAppliances.com

Todo el servicio de garantía es provisto por nuestros Centros de Servicio de Fabricación, o un técnico autorizado de Customer Care®. Para programar una visita del servicio técnico a través de Internet, visítenos en www.geappliances.com/service_and_support/, o llame al 800.GE.CARES (800.432.2737). Cuando llame para solicitar el servicio, tenga los números de serie y modelo disponibles.

Por el Período de	GE Appliances reemplazará
Un Año Desde la fecha de la compra original	Cualquier parte del Sistema de Filtración de Ósmosis Inversa cuya falla se deba a un defecto material o de mano de obra. Durante esta garantía limitada de un año, GE Appliances también ofrecerá sin costo, toda la mano de obra y servicio relacionado para reemplazar las partes defectuosas.

Qué no cubrirá GE Appliances:

- Visitas de servicio hasta su casa para enseñarle cómo usar el producto.
- Instalación, entrega o mantenimiento incorrectos.
- Falla del producto si es abusado, mal utilizado, usado con un fin diferente al propósito pretendido o usado para fines comerciales.
- Uso de este producto donde el agua sea microbiológicamente insegura o de calidad desconocida, sin una desinfección adecuada. Los sistemas certificados para la reducción de quistes pueden ser usados en agua desinfectada que puede contener quistes filtrables.
- Cartuchos del filtro, cartuchos de la membrana y las baterías después de treinta días a partir de la fecha de la compra.
- Daño al producto causado por accidente, incendio, inundación o actos de Dios.
- Daños incidentales o consecuentes causados por posibles defectos con este aparato.

EXCLUSIÓN DE GARANTÍAS IMPLÍCITAS

Su única y exclusiva alternativa es la reparación del producto, como se indica en la Garantía Limitada. Las garantías implícitas, incluyendo garantías implícitas de comerciabilidad o conveniencia sobre un propósito particular, se limitan a un año o al período más corto permitido por la ley.

Abroche su recibo aquí. Para acceder al servicio técnico de acuerdo con la garantía deberá contar con la prueba de la fecha original de compra.

Esta garantía se extiende al comprador original y cualquier comprador posterior de productos comprados para uso residencial dentro de Estados Unidos. Si el producto está situado en un área que no dispone de servicio por parte de un proveedor de servicio autorizado de GE, podría tener que hacerse cargo de los costes de envío o bien podría solicitársele que lleve el producto a una centro de servicio de GE autorizado para realizar la reparación. En Alaska, la garantía excluye el costo de envío o las visitas de servicio a su casa. Algunos estados no permiten la exclusión o las limitaciones de daños incidentales o consecuenciales. Esta garantía da derechos legales específicos, y usted podría tener otros derechos que variarán de estado a estado. Para saber cuáles son sus derechos legales, consulte a la oficina de asuntos del consumidor local o la oficina del Attorney General en su localidad.

Garante: GE Appliances

Soporte para el Consumidor

Sitio Web de GE Appliances

¿Desea realizar una consulta o necesita ayuda con su electrodoméstico? ¡Intente a través del Sitio Web de GE Appliances las 24 horas del día, cualquier día del año! Usted también puede comprar más electrodomésticos maravillosos de GE Appliances y aprovechar todos nuestros servicios de soporte a través de Internet, diseñados para su conveniencia.

En EE.UU.: GEAppliances.com

Registre su Electrodoméstico

¡Registre su electrodoméstico nuevo a través de Internet, según su conveniencia! Un registro puntual de su producto permitirá una mejor comunicación y un servicio más puntual de acuerdo con los términos de su garantía, en caso de surgir la necesidad. También puede enviar una carta en la tarjeta de inscripción preimpresa que se incluye con el material embalado.

En EE.UU.: GEAppliances.com/register

Servicio Programado

El servicio de reparación de expertos de GE Appliances está a sólo un paso de su puerta. Conéctese a través de Internet y programe su servicio a su conveniencia cualquier día del año. En EE.UU.: GEAppliances.com/ge/service-and-support/service.htm o comuníquese al 800.432.2737 durante el horario de atención comercial.

Garantías Extendidas

Adquiera una garantía extendida de GE Appliances y conozca los descuentos especiales que están disponibles mientras su garantía aún está vigente. La puede adquirir en cualquier momento a través de Internet. Los servicios de GE Appliances aún estarán allí cuando su garantía caduque.

En EE.UU.: GEAppliances.com/ge/service-and-support/shop-for-extended-service-plans.htm

o comuníquese al 800.626.2224 durante el horario de atención comercial.

Piezas y Accesorios

Aquellos individuos calificados para realizar el servicio técnico de sus propios electrodomésticos podrán solicitar el envío de piezas o accesorios directamente a sus hogares (se aceptan las tarjetas VISA, MasterCard y Discover). Ordene hoy a través de Internet durante las 24 horas, todos los días. En EE.UU.: GEApplianceparts.com o de forma telefónica al 877.959.8688 durante el horario de atención comercial.

Las instrucciones que figuran en este manual cubren los procedimientos que serán realizados por cualquier usuario. Otros servicios técnicos generalmente deben ser derivados a personal calificado del servicio. Se deberá tener cuidado, ya que una reparación indebida podrá hacer que el funcionamiento no sea seguro.

Contáctenos

Si no se encuentra satisfecho con el servicio que recibió de GE Appliances, comuníquese con nosotros a través de nuestro sitio Web con todos los detalles, incluyendo su número telefónico, o escriba a:

En EE.UU.: General Manager, Customer Relations | GE Appliances, Appliance Park | Louisville, KY 40225

GEAppliances.com/ge/service-and-support/contact.htm