



Portable Room Heater

Safety Instructions2

Operating Instructions

Controls3-4
Inlet and Outlet Vents4
Location4
Tip-Over Switch4

Care and Cleaning

Case5
Rear Vent Filter5
Remote Control5
Storage5

Troubleshooting Tips6

Consumer Support

Consumer Support8
Warranty7

Owner's Manual

ACSK15
ACTK15

Write the model and serial numbers here:

Model # _____

Serial # _____

You can find them on a label on the back of the heater.



IMPORTANT SAFETY INFORMATION. READ ALL INSTRUCTIONS BEFORE USING.

⚠ WARNING!

When using electrical appliances, basic precautions should always be followed to reduce the risk of fire, electric shock and injury to persons, including the following:



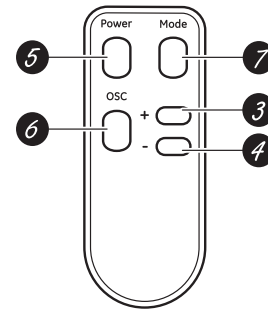
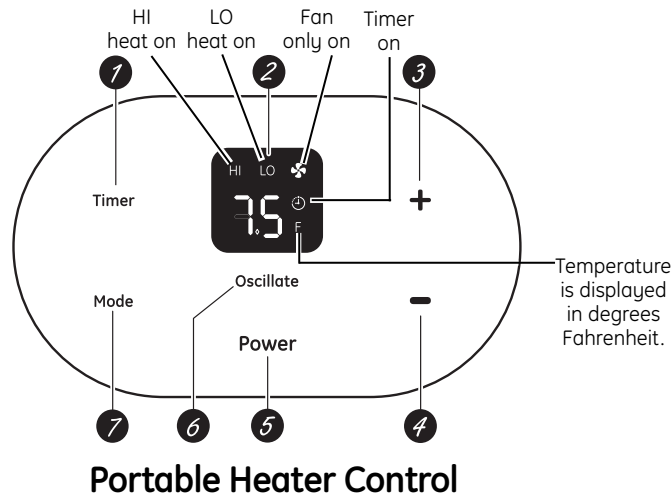
SAFETY PRECAUTIONS

- Read all instructions before using this heater.
- This heater is hot when in use. To avoid burns, do not let bare skin touch hot surfaces. Use handle when moving this heater. Keep combustible materials, such as furniture, pillows, bedding, papers, clothes and curtains at least 3 feet (0.9 m) from the front of the heater and keep them away from the sides and rear.
- Extreme caution is necessary when any heater is used by or near children or invalids and whenever the heater is left operating and unattended.
- Always unplug heater when not in use.
- Do not operate any heater with a damaged cord or plug or after the heater malfunctions, has been dropped or damaged in any manner. Return heater to authorized service facility for examination, electrical or mechanical adjustment or repair.
- Power cord includes a current interrupter device. A test and reset button is provided on the plug case. The device should be tested on a periodic basis, while plugged in, by first pressing the **TEST** button and then the **RESET** button. If the **TEST** button does not trip or if the **RESET** button will not stay engaged, discontinue use of the heater and contact a qualified service technician.
- Do not use outdoors.
- This heater is intended for indoor residential applications only. This heater should not be used for commercial or industrial applications.
- This heater is not intended for use in bathrooms, laundry areas and similar indoor high humidity locations. Never locate heater where it may fall into bathtub or other water container.
- Always place the heater on a flat, level surface. Do not place on top of furniture or other places where the heater may fall, dislodging or breaking parts inside the heater. This could result in a fire or shock hazard.
- Do not run cord under carpeting. Do not cover cord with throw rugs, runners or similar coverings. Arrange cord away from traffic area and where it will not be tripped over.
- To disconnect heater, first turn controls to off, then remove plug from outlet.
- Do not insert or allow foreign objects to enter any ventilation or exhaust opening as this may cause an electric shock or fire, or damage the heater.
- To prevent a possible fire, do not block air intakes or exhaust in any manner. Do not use on soft surfaces, like a bed, where openings may become blocked.
- A heater has hot and arcing or sparking parts inside. Do not use it in areas where gasoline, paint, flammable liquids or gases are used or stored.
- Keep flammable materials away from heater.
- Use this heater only as described in this manual. Any other use not recommended by the manufacturer may cause fire, electric shock or injury to persons.
- Avoid the use of an extension cord because the extension cord may overheat and cause a risk of fire. However, if you must use an extension cord, the cord shall be No. 14 AWG minimum size and rated not less than 1875 watts.
- This heater draws 12.5 amps during operation. To prevent overloading a circuit, do not plug the heater into a circuit that already has other appliances working.
- It is normal for the plug to feel warm to the touch; however, a loose fit between the AC outlet (receptacle) and plug may cause overheating and distortion of the plug. Contact a qualified electrician to replace loose or worn outlets or if the plug becomes very hot.
- The output of this heater may vary and its temperature may become intense enough to burn exposed skin. Use of this heater is not recommended for persons with reduced sensitivity to heat or an inability to react to avoid burns.
- Never unplug your portable room heater by pulling on the power cord. Always grip the plug firmly and pull straight out from the receptacle.
- Turn the portable heater off, allow it to cool completely and then unplug it before cleaning.
- GE does not support any servicing of the portable room heater. We strongly recommend that you do not attempt to service the heater yourself.

About the controls on the portable room heater.

ge.com

Features and appearance may vary.



Remote Control
(on some models)



Controls

- 1 Timer Pad** (on some models)
When the heater is on, it can be set to automatically turn off in 1/2 (0.5) to 9 1/2 (9.5) hours.
 1. Press the **Timer** pad. The display will blink.
 2. Press the **+** or **-** pad to set the desired time for the unit to stop. (Each time you touch the **+** or **-** pad, the set time will advance by 1/2 hour between 0 and 9½ hours.)
After settings have been made, the display will change back to show the room temperature.
To cancel the timer, press the **Timer** pad and press the Decrease pad until 0.0 appears in the display.
NOTE: If the **Timer** was set before a power outage, it will need to be reset after power is restored.
- 2 Display**
Shows the room temperature. Shows the set temperature while setting the temperature in LO or HI heat modes. Shows whether set in LO heat, HI heat or fan mode. Shows time remaining on timer.
NOTE: The display will change to show the room temperature after settings have been

made. To recall the set temperature, press the Increase or Decrease pads.

- 3 Increase (+) Pad**
Use to increase the set temperature (when in the heat mode) or to increase the timer shut off time.
- 4 Decrease (-) Pad**
Use to decrease the set temperature (when in the heat mode), to decrease the timer shut off time or to cancel (0.0) the timer.
- 5 Power Pad**
Press to turn the heater on. It will turn on in the standby mode. The display will show the room temperature.
Press again to turn the heater off.
- 6 Oscillate Pad** (on some models)
Turn on to provide continuous side-to-side air circulation.
For fixed side-to-side air direction, turn on until the desired air direction is obtained, then turn it off.
- 7 Mode Pad**
Press to set to LO heat, HI heat, fan mode or to return to the standby mode.

Heat Mode

When in the HI or LO heat mode, use the Increase/Decrease pads to set the desired temperature between 40°F and 90°F in 1°F increments.

A thermostat is used to maintain the room temperature. The heater will cycle on and off to keep the room at the set level of comfort. Set the thermostat at a higher temperature and the indoor air will become warmer. Set the thermostat at a lower temperature and the indoor air will become less warm.

Fan Mode

Use the fan mode to provide air circulation without heating.

Since the fan setting does not provide heating, a temperature setting will not be displayed.

About the controls on the portable room heater. (cont.)

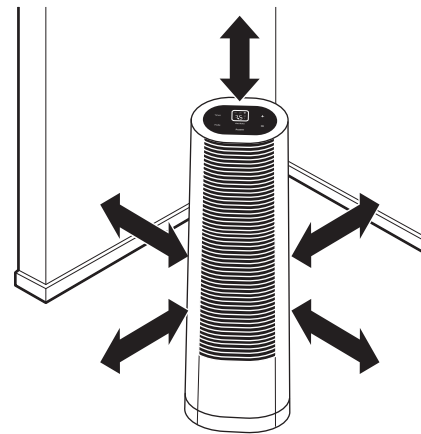
Remote Control *(on some models)*

- To ensure proper operation, aim the remote control at the front of the heater.
- The remote control signal has a range of up to approximately 10 feet.
- Make sure nothing is between the heater and the remote control that could block the signal.
- Make sure batteries are fresh and installed correctly—see the *Care and Cleaning* section.

About the portable room heater.

Choosing a Location

- Do not use outdoors.
- This heater is intended for indoor residential applications only. This heater should not be used for commercial or industrial applications.
- To prevent a possible fire, do not block air intakes or exhaust in any manner. Do not use on soft surfaces, like a bed, where openings may become blocked.
- Always place the heater on a flat, level surface. Do not place on top of furniture or other places where the heater may fall, dislodging or breaking parts inside the heater. This could result in a fire or shock hazard.
- Keep combustible materials, such as furniture, pillows, bedding, papers, clothes and curtains at least 3 feet (0.9 m) from the front of the heater and keep them away from the sides and rear.
- Do not use it in areas where gasoline, paint, flammable liquids or gases are used or stored.
- Keep flammable materials away from heater.
- This heater draws 12.5 amps during operation. To prevent overloading a circuit, do not plug the heater into a circuit that already has other appliances working.
- Close all doors, windows and other outside openings to the room.



Appearance may vary.

Always maintain 3 feet (0.9 m) minimum clearance on all sides of the heater.

NOTE: Always use the handle when moving this heater.

- This heater is not intended for use in bathrooms, laundry areas and similar indoor high humidity locations. Never locate heater where it may fall into bathtub or other water container.
- The heater must be operated in an enclosed area to be most effective.

Inlet and Outlet Vents

Take care never to place the heater where the inlet or outlet is blocked or to place any object near the inlet or outlet.

Always maintain 3 feet (0.9 m) minimum clearance on all sides of the heater.

If the inlet or outlet become blocked, the heater may automatically shut off. Relocate the heater or remove the object causing the blockage, wait approximately 15 minutes and restart the heater.

Tip-Over Switch *(on some models)*

Take care never to knock or tip over the heater. However, if the heater is ever accidentally knocked or tipped over, it has a tip-over switch that will automatically shut off the heater.

⚠ CAUTION: If the heater is knocked or tipped over, use the handle to sit it upright, wait approximately 5 minutes and it will automatically restart in the last setting used.

Care and cleaning of the portable room heater.

ge.com

Turn the portable heater off, allow it to cool completely and then unplug it before cleaning.

Case

To clean the case:

Wipe the outer surface of the heater with a clean, soft, dry cloth. Do not use a wet cloth for cleaning.

Do not use bleach, chemicals or abrasives since they might damage the paint.

⚠ WARNING: Never immerse the heater in water.

Rear Vent Filter *(on some models)*

Clean the rear vent filter when visibly dirty or dusty. Use a vacuum to remove dust and dirt by passing it over the grille surface.

NOTE: The rear vent filter is not removable and should only be cleaned with a vacuum cleaner.

Remote Control *(on some models)*

To replace the battery:

1. Slide the battery cover open on the back of the remote control.
2. Remove the old batteries.
3. Insert new batteries, placing them so their polarities (+ and -) match the markings in the battery compartment.
4. Slide the cover back into position.

NOTE: Replace with the same size batteries as removed. Remove the batteries from the remote control if the system is not going to be used for a long time.

⚠ CAUTION: Do not mix old and new batteries; replace batteries in sets. Discard old batteries safely. Keep batteries out of reach of children.

Extended Storage

Save and use the original box and packaging when storing the heater for extended periods of time. Store the heater in a cool, dry place.

Safety Instructions

Operating Instructions

Care and Cleaning

Troubleshooting Tips

Consumer Support

Troubleshooting tips.



Save time and money!

Problem	Possible Causes	What To Do
Heater does not start	The heater is unplugged.	<ul style="list-style-type: none"> Make sure the heater plug is pushed completely into the outlet.
	The fuse is blown/circuit breaker is tripped.	<ul style="list-style-type: none"> Check the house fuse/circuit breaker box and replace the fuse or reset the breaker.
	Power failure.	<ul style="list-style-type: none"> If a power failure occurs, turn the heater off. When power is restored, restart the heater.
	The current interrupter device is tripped.	<ul style="list-style-type: none"> Allow the heater to cool, press the RESET button located on the power cord plug and restart the heater. If the RESET button will not stay engaged, discontinue use of the heater and contact a qualified service technician.
Heater stopped running	Power interruption or power failure occurred.	<ul style="list-style-type: none"> When the power is restored, restart the heater.
	Heater knocked or tipped over.	<ul style="list-style-type: none"> See the <i>Tip-Over Switch (on some models)</i> section.
	The current interrupter device is tripped.	<ul style="list-style-type: none"> Allow the heater to cool, press the RESET button located on the power cord plug and restart the heater. If the RESET button will not stay engaged, discontinue use of the heater and contact a qualified service technician.
Heater does not heat as it should	Airflow is restricted.	<ul style="list-style-type: none"> Make sure there are no curtains, blinds or furniture blocking the inlet or outlet of the heater. Make sure there is at least 3 feet (0.9 m) of space on all sides of the unit.
	The temp control may not be set correctly.	<ul style="list-style-type: none"> In LO heat or HI heat mode, press the Increase pad.
	The room may have been cold.	<ul style="list-style-type: none"> When the heater is first turned on, you need to allow time for the room to warm up.
The remote control (on some models) is not working	The batteries are inserted incorrectly.	<ul style="list-style-type: none"> Check the position of the batteries. They should be inserted in the opposite (+) and (-) direction.
	The batteries may be dead.	<ul style="list-style-type: none"> Replace the batteries.
TIMER feature not working properly	A power outage or interruption occurred.	<ul style="list-style-type: none"> If the Timer was set before the power outage, it will need to be reset after power is restored.

GE Portable Room Heater Warranty—One Year Limited Warranty.



Staple your receipt here.
Proof of the original purchase date is
needed to make a warranty claim.

For The Period Of: We Will Replace:

One Year Limited
From the date of the
original purchase

Replacement unit for any product which fails due to a defect in materials or workmanship. The exchange unit is warranted for the remainder of your product's original one-year warranty period.

In Order to Make a Warranty Claim:

- Properly pack your unit. We recommend using the original carton and packing materials.
- Return the product to the retail location where it was purchased.
- Include in the package a copy of the sales receipt or other evidence of date of original purchase. Also print your name and address and a description of the defect.

What Is Not Covered:

- Customer instruction. This owner's manual provides information regarding operating instructions and user controls.
- Improper location. If you have a location problem, or if the heater is of improper heating capacity for the intended use, contact your dealer or installer. You are responsible for providing adequate electrical connecting facilities.
- Failure of the product resulting from modifications to the product or due to unreasonable use including failure to provide reasonable and necessary maintenance.
- Replacement of house fuses or resetting of circuit breakers.
- Damage to the product caused by improper power supply voltage, accident, fire, floods or acts of God.
- Incidental or consequential damage caused by possible defects with this heater.

EXCLUSION OF IMPLIED WARRANTIES—Your sole and exclusive remedy is product exchange as provided in this Limited Warranty. Any implied warranties, including the implied warranties of merchantability or fitness for a particular purpose, are limited to one year or the shortest period allowed by law.

This warranty is extended to the original purchaser and any succeeding owner for products purchased for home use within the USA.

Some states do not allow the exclusion or limitation of incidental or consequential damages. This warranty gives you specific legal rights, and you may also have other rights which vary from state to state. To know what your legal rights are, consult your local or state consumer affairs office or your state's Attorney General.

Exclusion of implied warranties: Except where prohibited or restricted by law, there are no warranties, whether express, oral or statutory which extend beyond the description on the face hereof, including specifically the implied warranties of merchantability or fitness for a particular purpose.

Warrantor: General Electric Company, Louisville, KY 40225

Safety Instructions

Operating Instructions

Care and Cleaning

Troubleshooting Tips

Consumer Support

Consumer Support.



GE Appliances Website

ge.com

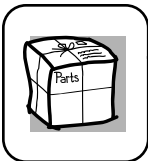
Have a question or need assistance with your appliance? Try the GE Appliances Website 24 hours a day, any day of the year! For greater convenience and faster service, you can now download Owner's Manuals or even order parts on-line.



Real Life Design Studio

ge.com

GE supports the Universal Design concept—products, services and environments that can be used by people of all ages, sizes and capabilities. We recognize the need to design for a wide range of physical and mental abilities and impairments. For details of GE's Universal Design applications, including kitchen design ideas for people with disabilities, check out our Website today. For the hearing impaired, please call 800.TDD.GEAC (800.833.4322).



Parts and Accessories

ge.com

Individuals qualified to service their own appliances can have parts or accessories sent directly to their homes (VISA, MasterCard and Discover cards are accepted). Order on-line today, 24 hours every day or by phone at 800.626.2002 during normal business hours.

Instructions contained in this manual cover procedures to be performed by any user. GE does not support any servicing of the heater. We strongly recommend that you do not attempt to service the heater yourself.



Contact Us

ge.com

If you are not satisfied with the service you receive from GE, contact us on our Website with all the details including your phone number, or write to:

General Manager, Customer Relations
GE Appliances, Appliance Park
Louisville, KY 40225



Calentador de habitación portátil

Instrucciones de seguridad2

Operación

Controles3-4

Interruptor para los casos en que el calentador se voltee4

Localización4

Ventilaciones de entrada y de escape4

Cuidado y limpieza

Almacenamiento5

Caja5

Control remoto5

Filtro trasero de ventilación5

Solucionar problemas6

Soporte al consumidor

Garantía7

Soporte al consumidor8

Manual del propietario

ACSK15

ACTK15

Escriba los números de modelo y serie aquí:

de modelo _____

de serie _____

Usted los puede encontrar en una etiqueta en la parte posterior del calentador.



INFORMACIÓN IMPORTANTE DE SEGURIDAD. LEA TODAS LAS INSTRUCCIONES ANTES DE USAR.

Seguridad

Operación

Cuidado y limpieza

Solucionar problemas

SopORTE al consumidor

⚠️ ADVERTENCIA!

Por su seguridad, se debe seguir la información en este manual para minimizar el riesgo de incendios, descargas eléctricas o lesiones personales.

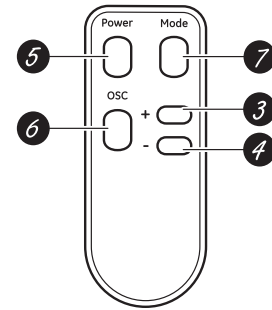
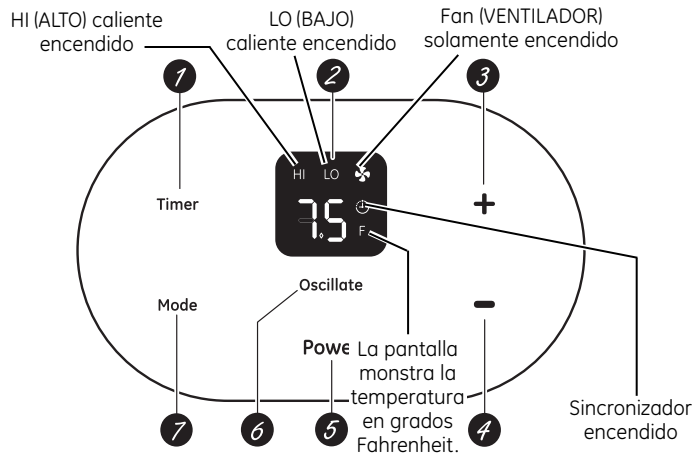


PRECAUCIONES DE SEGURIDAD

- Lea todas las instrucciones antes de usar el calentador.
- Este calentador se calienta cuando está en uso. Para evitar quemaduras, no permita que su piel desnuda toque las superficies calientes. Use la manija cuando esté moviendo el calentador. Mantenga los materiales combustibles tales como muebles, almohadas, ropa de cama, papeles, ropas y cortinas por lo menos a 3 pies (0,9 m) del frente del calentador y también mantenga estos objetos alejados de los lados y de la parte posterior del calentador.
- Es necesario que usted use precaución extrema cuando cualquier calentador sea usado por o cerca de niños o inválidos y siempre que el calentador sea dejado en operación pero no atendido.
- Siempre desconecte el calentador cuando no lo esté usando.
- No opere ningún calentador con un cable eléctrico dañado o con un enchufe dañado o cuando el calentador no funcione bien, cuando se haya dejado caer o si se ha dañado de alguna manera. Regrese el calentador para proporcionar servicio autorizado a una de nuestras instalaciones para efectuarle ajustes o reparaciones eléctricas o mecánicas.
- El cable de alimentación incluye un dispositivo para interrupción de corriente. Se incluye un botón de prueba y de reinicio en el dispositivo. El dispositivo debe ponerse a prueba periódicamente, mientras está conectado, primero se presiona el botón de **TEST** (prueba) y luego **RESET** (reinicio). Si el botón **TEST** no se dispara o si el botón **RESET** no queda enganchado, deje de utilizar el calentador y comuníquese con un técnico calificado.
- No use el calentador en exteriores.
- Este calentador está diseñado exclusivamente para aplicaciones residenciales de interior. No debe usarse para aplicaciones comerciales ni industriales.
- Este calentador no tiene la intención de usarse en baños, áreas de lavado y localizaciones exteriores o de alta humedad similares. Nunca coloque un calentador donde se pueda caer al interior de una tina de baño o a cualquier otro contenedor lleno de agua.
- Coloque siempre el calentador en una superficie plana y nivelada. No lo coloque encima de muebles ni en otros lugares de los que pudiera caerse, desplazando o rompiendo las piezas en su interior. Esto podría provocar un incendio o una descarga eléctrica.
- No pase el cable eléctrico por debajo de las alfombras. No cubra el cable eléctrico con alfombras móviles, tapetes, alfombrillas o coberturas similares. Instale el cable eléctrico de forma tal que quede aislado de áreas con mucho tráfico o donde nadie pueda tropezar con él.
- Para desconectar el calentador, primero coloque los controles en la posición de apagado (OFF) y luego desconéctelo del tomacorriente.
- No inserte ni permita que ningún objeto extraño se introduzca en las aperturas de ventilación o escape del calentador, ya que esto podría ocasionar una descarga eléctrica o un incendio, o algún daño al calentador.
- Para prevenir fuegos posibles, no bloquee las áreas de entrada o escape del calentador de manera alguna. No use el calentador sobre superficies suaves, tales como una cama o donde las aperturas puedan quedar bloqueadas
- Un calentador tiene partes encendidas o que producen chispas en su interior. No lo use en áreas donde exista gasolina, pintura, líquidos inflamables o gases almacenados.
- Mantenga los materiales inflamables lejos del calentador.
- Use este calentador solamente como se describe en este manual. Cualquier otro uso no recomendado por el fabricante podría causar un incendio, una descarga eléctrica o lesiones personales.
- Evite el uso de cables de extensión porque el cable de extensión podría calentarse excesivamente y causar el riesgo de un incendio. Sin embargo, si usted se ve obligado a usar un cable de extensión, el cable debe ser de calibre No. 14 AWG en tamaño y con una tolerancia mínima de 1875 vatios.
- Este calentador consume 12,5 amperios durante su operación. Para evitar la sobrecarga de algún circuito, no conecte el calentador en un circuito que ya tiene la carga de otros electrodomésticos en funcionamiento.
- Es normal sentir el enchufe caliente cuando se le toca; sin embargo, un ajuste flojo entre el tomacorriente de corriente continua y el enchufe podría causar sobrecalentamiento y distorsión en el enchufe. Póngase en contacto con un electricista calificado para cambiar cualquier tomacorriente que esté flojo o desgastado o si el enchufe se calienta demasiado.
- La salida de este calentador podría variar y su temperatura podría intensificarse lo suficiente como para causar quemaduras en la piel. No recomendamos que este calentador sea usado por personas que tienen pieles sensibles al calor o que no tienen la habilidad de reaccionar ante una potencial quemadura.
- Nunca desconecte su calentador de habitación portátil tirando del cable eléctrico. Siempre agarre el enchufe con firmeza y tire de él directamente hacia afuera desde el tomacorriente.
- Apague el calentador portátil, permita que se enfríe y luego desconéctelo antes de limpiarlo.
- GE no apoya ningún servicio del calentador de habitación portátil. Nosotros recomendamos que usted no intente proporcionar servicio al calentador usted mismo.

GUARDE ESTAS INSTRUCCIONES

Las funciones y el aspecto podrían variar.



Control del calentador portátil

Control remoto

(en algunos modelos)

Controles



- 1 Timer (Sincronizador) (en algunos modelos)**
 Cuando el calentador está encendido, puede ajustarse para que se apague automáticamente dentro de 1/2 (0,5) a 9½ (9,5) horas.

 1. Presione la tecla **Timer**. La pantalla comenzará a destellar.
 2. Presione la tecla **+ o -** para programar la hora en que desee que la unidad se detenga. (Cada vez que usted toque las teclas **+ o -**, la hora programada avanzará por 1/2 hora entre 0 y 9½ horas.)

Después de ingresadas las configuraciones, la pantalla volverá a indicar la temperatura ambiente.

Para cancelar el sincronizador, presione la tecla **Timer** y presione la tecla de decrease (reducir) hasta que 0.0 muestra en la pantalla.

NOTA: Si el **sincronizador** se ajustó antes un corte de energía, éste deberá volver a configurarse después del restablecimiento de la misma.
- 2 Pantalla**
 Muestra la temperatura de la habitación. Muestra la temperatura escogida mientras se ajusta la temperatura a los modos LO (Bajo) o HI (Alto). Muestra si está colocado en el modo caliente LO (Bajo), HI (Alto) o ventilador. Muestra el tiempo restante en el sincronizador.

NOTA: La pantalla cambiará para mostrar la temperatura de la habitación después de que

se hayan escogido las opciones. Para recordar la temperatura escogida, presione los botones de Increase (aumentar) o Decrease (reducir).

- 3 Botón de increase (+) (aumentar)**
 Usar para aumentar la temperatura escogida (cuando se está en el modo de calor) o para aumentar la hora en que desee que la sincronizador se detenga.
- 4 Botón de decrease (-) (reducir)**
 Usar para reducir la temperatura escogida (cuando se está en el modo de calor), para reducir la hora en que desee que la sincronizador se detenga o para cancelar (0.0) el sincronizador.
- 5 Botón de power (potencia)**
 Presione para encender el calentador. Se encenderá en el modo Standby. La pantalla mostrará la temperatura de la habitación.
 Presiónelo otra vez para apagar el calentador.
- 6 Botón de oscillate (oscilación) (en algunos modelos)**
 Encienda para proporcionar circulación del aire de lado a lado de manera continua.
 Para la dirección fija de lado a lado, encienda hasta que la dirección deseada se obtenga, entonces coloque el botón en apagado.
- 7 Botón de modo**
 Presione para ajustar al modo caliente LO (Bajo), HI (Alto) o al modo de ventilador o regrese al modo de standby.

Modo de calor

Cuando en el modo LO (Bajo) o HI (Alto), use los botones Increase (aumentar) o Decrease (reducir) para escoger la temperatura deseada en incrementos de 1°F entre los 40° F y 90° F.

Se usa un termostato para mantener la temperatura de la habitación. El calentador hará un ciclo entre encendido

y apagado para mantener la habitación a la temperatura escogida. Coloque el termostato en una temperatura más alta y el aire de la habitación se calentará más. Coloque el termostato en una temperatura más baja y la temperatura del aire de la habitación se calentará menos.

Modo de ventilador

Use el modo de ventilador para proporcionar circulación de aire sin calentar.

Debido a que el ajuste del ventilador no proporciona calentamiento, no se mostrará ninguna temperatura en esta selección.

Los controles del calentador de habitación portátil. (cont.)

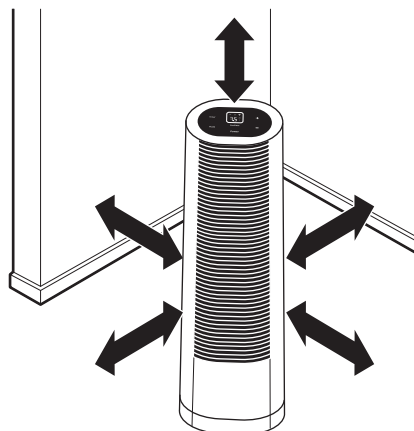
Control remoto (en algunos modelos)

- Para asegurar la operación apropiada, dirija el control remoto hacia el frente del calentador.
- La señal del control remoto tiene un alcance máximo de aproximadamente 10 pies (3 m).
- Asegúrese de que no hay nada entre el calentador y el control remoto que pueda bloquear la señal.
- Asegúrese de que las baterías son frescas y que están instaladas correctamente—Ver la sección *Cuidado y limpieza*.

Calentador de habitación portátil.

Cómo escoger una localización

- No use en exteriores.
- Este calentador está diseñado exclusivamente para aplicaciones residenciales de interior. No debe usarse para aplicaciones comerciales ni industriales.
- Para evitar un posible incendio, no bloquee las entradas o escapes del calentador de ninguna manera. No use sobre superficies suaves, como una cama, donde las aperturas se podrían bloquear.
- Coloque siempre el calentador en una superficie plana y nivelada. No lo coloque encima de muebles ni en otros lugares de los que pudiera caerse, desplazando o rompiendo las piezas en su interior. Esto podría provocar un incendio o una descarga eléctrica.
- Mantenga los materiales combustibles tales como muebles, almohadas, ropa de cama, papeles, ropas y cortinas por lo menos a 3 pies (0,9 m) del frente del calentador y también mantenga estos objetos alejados de los lados y de la parte posterior del calentador.
- No use en áreas donde se usen o almacene gasolina, pintura, líquidos inflamables o gases.
- Mantenga los materiales inflamables lejos del calentador.
- Este calentador consume 12,5 amperios durante su operación. Para evitar la sobrecarga de algún circuito, no conecte el calentador en un circuito que ya tiene la carga de otros electrodomésticos en funcionamiento.
- Cierre todas las puertas, ventanas y otras aperturas hacia el exterior.



El aspecto podría variar.

Siempre mantenga 3 pies (0,9 m) de huelgo mínimo en todos los lados del calentador.

NOTA: Siempre use la manija para mover este calentador.

- Este calentador no tiene la intención de usarse en baños, áreas de lavado y localizaciones exteriores o de alta humedad similares. Nunca coloque un calentador donde se pueda caer al interior de una tina de baño o a cualquier otro contenedor lleno de agua.
- El calentador se debe operar en un área cerrada para ser más efectivo.

Ventilaciones de entrada y de escape

Asegúrese de nunca colocar el calentador donde la entrada o el escape queden bloqueados ni coloque nunca ningún objeto cerca de la entrada o escape.

Siempre mantenga 3 pies (0,9 m) de huelgo mínimo en todos los lados del calentador.

Si se bloquea la entrada o el escape, el calentador se podría apagar automáticamente. Coloque el calentador en otro lugar o remueva el objeto que está causando el bloqueo, espere aproximadamente 15 minutos y reinicie el calentador.

Interruptor para los casos en que el calentador se voltee (en algunos modelos)

Asegúrese de nunca bloquear o dejar que el calentador se voltee. Sin embargo, si el calentador se volteara accidentalmente, tiene un interruptor que lo apagará automáticamente.

⚠ PRECAUCIÓN: Si el calentador se volteara, use la manija para poderlo de pie, espere aproximadamente 5 minutos y se encenderá automáticamente en la última opción escogida.

Cuidado y limpieza del calentador de habitación portátil.

ge.com

Apague el calentador portátil, permita que se enfríe completamente y entonces desconéctelo antes de limpiarlo.

Caja

Para limpiar la caja:

Limpie la superficie exterior del calentador con un paño limpio, suave y seco. No use un paño mojado para su limpieza.

No use lejía, ni productos químicos o abrasivos, ya que podrían dañar la pintura del aparato.

⚠ ADVERTENCIA: Nunca sumerja el calentador en agua.

Filtro trasero de ventilación *(en algunos modelos)*

Limpie el filtro trasero de ventilación cuando esté visiblemente sucio o polvoriento. Utilice una aspiradora para remover el polvillo y la suciedad pasándola sobre la superficie de la parrilla.

NOTA: El filtro trasero de ventilación no es desmontable y sólo debe limpiarse con una aspiradora.

Control remoto *(en algunos modelos)*

Para cambiar las baterías:

1. Deslice la cubierta de las baterías en el posterior del control remoto.
2. Remueva las baterías antiguas.
3. Introduzca baterías nuevas, colocándolas de modo que las polaridades (+ y -) coincidan con las marcas del compartimento de las baterías.
4. Deslice otra vez la cubierta en su posición.

NOTA: Cambie las baterías viejas por baterías del mismo tamaño. Remueva las baterías del control remoto si usted no se dispone a usar el sistema por un período de tiempo extenso.

⚠ PRECAUCIÓN: no mezcle baterías antiguas y nuevas; cambie las baterías de forma conjunta. Deshágase de las antiguas baterías de forma segura. Mantenga las baterías fuera del alcance de los niños.

Almacenamiento por lapsos extensos

Conserve y use la caja y el embalaje original cuando guarde el calentador durante largos periodos de tiempo. Guarde el calentador en un lugar fresco y seco.

Seguridad

Operación

Cuidado y limpieza

Solucionar problemas

Soporte al consumidor

Solucionar problemas.



¡Ahorre dinero y tiempo!

Seguridad

Operación

Cuidado y limpieza

Solucionar problemas

SopORTE al consumidor

Problema	Causas posibles	Qué hacer
El calentador no enciende	El calentador no está conectado.	• Asegúrese de que el enchufe del calentador está enchufado completamente.
	El fusible/circuito se aterrizó.	• Inspeccione el fusible/circuito de la casa y reemplácelo o reajuste el interruptor.
	Ocurrió una interrupción en suministro eléctrico.	• Si ocurre una interrupción en el circuito eléctrico, apague el calentador. Cuando hayan restaurado el suministro eléctrico, encienda de nuevo el calentador.
El calentador dejó de funcionar	El dispositivo de interrupción de corriente se ha activado.	• Permita que se enfríe, presione el botón RESET ubicado en el cable de alimentación y encienda de nuevo el calentador. • Si el botón RESET no se mantiene en su lugar, no utilice más el calentador y comuníquese con un técnico calificado.
	Ocurrió una interrupción o hubo una suspensión del suministro eléctrico.	• Cuando hayan restaurado el suministro eléctrico, encienda de nuevo el calentador.
	El calentador se volteó.	• Ver la sección <i>Interruptor para los casos en que el calentador se voltee (en algunos modelos)</i> .
El calentador no calienta como debería	El dispositivo de interrupción de corriente se ha activado.	• Permita que se enfríe, presione el botón RESET ubicado en el cable de alimentación y encienda de nuevo el calentador. • Si el botón RESET no se mantiene en su lugar, no utilice más el calentador y comuníquese con un técnico calificado.
	El flujo de aire está restringido.	• Asegúrese de que no hay cortinas, persianas o muebles bloqueando la entrada o el escape del calentador. Asegúrese de que hay por lo menos 3 pies (0,9 m) de espacio en todos los lados de la unidad.
	Es posible que el control de temperatura no esté ajustado correctamente.	• En el modo de calor LO (Bajo) o HI (Alto) , presione el botón de Increase (aumentar) .
El control remoto (en algunos modelos) no está funcionando	Es posible que la habitación estuviera fría.	• Al principio, cuando se enciende el calentador, usted necesita permitir que transcurra un poco de tiempo para que la habitación se caliente.
	Las baterías están insertadas incorrectamente.	• Inspeccione la posición de las baterías. Deberían estar insertadas en la dirección opuesta (+) y (-).
La característica TIMER (SINCRONIZADOR) no funciona correctamente	Las baterías están muertas.	• Cambie las baterías.
	Ha ocurrido un corte o interrupción de la energía.	• Si el Timer (Sincronizador) se ajustó antes del corte de energía, éste deberá volver a configurarse después del restablecimiento de la misma.

Garantía de calentador de habitación portátil de GE—garantía limitada de un año.



Grape aquí su recibo.
Se requiere facilitar prueba de la fecha de compra original para hacer un reclamo de garantía.

Por el período de: **Nosotros reemplazaremos:**

Un año limitado

A partir de la fecha de la compra original

Unidad de reemplazo para cualquier producto que falle debido a defectos en los materiales o en el proceso de fabricación. La unidad de intercambio está garantizada para el resto del período de un año de garantía original del producto.

Para hacer un reclamo de garantía:

- Empaque su unidad apropiadamente. Recomendamos usar el cartón original y los materiales de empaquetado.
- Regrese el producto al local de ventas donde usted lo compró.
- Incluya en el paquete una copia del recibo de venta u otra evidencia de la fecha original de la compra. Además imprima su nombre y dirección y una descripción del defecto.

Lo que no está cubierto:

- Instrucciones al cliente. El Manual del propietario proporciona información acerca de las instrucciones de operación y de los controles del usuario.
- Localización inapropiada. Si usted tiene problemas de localización o si el calentador no es de la capacidad de calentamiento apropiada para el uso extendido, póngase en contacto con un distribuidor o con un instalador. Usted es responsable de proporcionar las instalaciones de una conexión eléctrica adecuada.
- Fallo del producto resultante de modificaciones al producto o debido a uso irrazonable incluyendo no proporcionar mantenimiento razonable y necesario.
- Reemplazo de fusibles de la casa o reajuste del sistema de circuitos.
- Daño al producto causado por voltaje inapropiado hacia el equipo, accidentes, incendios, inundaciones o actos de la naturaleza de fuerza mayor.
- Daños incidentales o consecuenciales causados por defectos posibles con este calentador.

EXCLUSIÓN DE GARANTÍAS IMPLÍCITAS—Su único y exclusivo derecho es el cambio del producto, tal y como se indica en esta Garantía limitada. Cualquier garantía implícita, incluyendo las garantías implícitas de comerciabilidad o adecuación para un fin determinado, están limitadas a un año o el período de tiempo más breve permitido por la ley.

Esta garantía se extiende al comprador original y cualquier comprador posterior de productos comprados para uso residencial dentro de Estados Unidos.

Algunos estados no permiten la exclusión o las limitaciones de daños incidentales o consecuenciales. Esta garantía da derechos legales específicos, y usted podría tener otros derechos que variarán de estado a estado. Para saber cuáles son sus derechos legales, consulte a la oficina de asuntos del consumidor local o la oficina del Attorney General en su localidad.

Exclusión de garantías implicadas: Excepto donde está prohibido o restringido por la ley, no hay garantías, expresas, orales o estatutarias que extiendan más allá de la descripción específica, incluyendo específicamente las garantías implicadas de comerciabilidad o propiedad para un propósito particular.

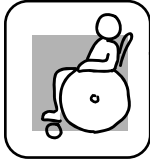
Soporte al consumidor.



Página Web de GE Appliances

ge.com

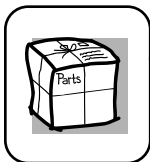
¿Tiene alguna pregunta sobre su electrodoméstico? ¡Pruebe la página Web de GE Appliances 24 horas al día, cualquier día del año! Para mayor conveniencia y servicio más rápido, ya puede descargar los Manuales de los Propietarios, o incluso pedir piezas hacer una cita en línea.



Real Life Design Studio (Estudio de diseño para la vida real)

ge.com

GE apoya el concepto de Diseño Universal—productos, servicios y ambientes que pueden usar gente de todas las edades, tamaños y capacidades. Reconocemos la necesidad de diseñar para una gran gama de habilidades y dificultades físicas y mentales. Para más detalles sobre las aplicaciones de GE Diseño Universal, incluyendo ideas de diseño para la cocina para personas con discapacidades, mire nuestra página Web hoy mismo. Para personas con dificultades auditivas, favor de llamar al 800.TDD.GEAC (800.833.4322).



Piezas y accesorios

ge.com

Aquellos individuos con la calificación necesaria para reparar sus propios electrodomésticos pueden pedir que se les manden las piezas o accesorios directamente a sus hogares (aceptamos las tarjetas VISA, MasterCard y Discover). Haga su pedido en línea hoy, 24 horas cada día o llamar por teléfono al 800.626.2002 durante horas normales de oficina.

Las instrucciones descritas en este manual cubren los procedimientos a seguir por cualquier usuario. GE no está no apoya que se le proporcione ningún servicio al acondicionador de aire. Vehementemente recomendamos que usted no intente proporcionar servicio al acondicionador de aire usted mismo.



Póngase en contacto con nosotros

ge.com

Si no está satisfecho con el servicio que recibe de GE, póngase en contacto con nosotros en nuestra página Web indicando todos los detalles así como su número de teléfono o escribanos a:

General Manager, Customer Relations
GE Appliances, Appliance Park
Louisville, KY 40225