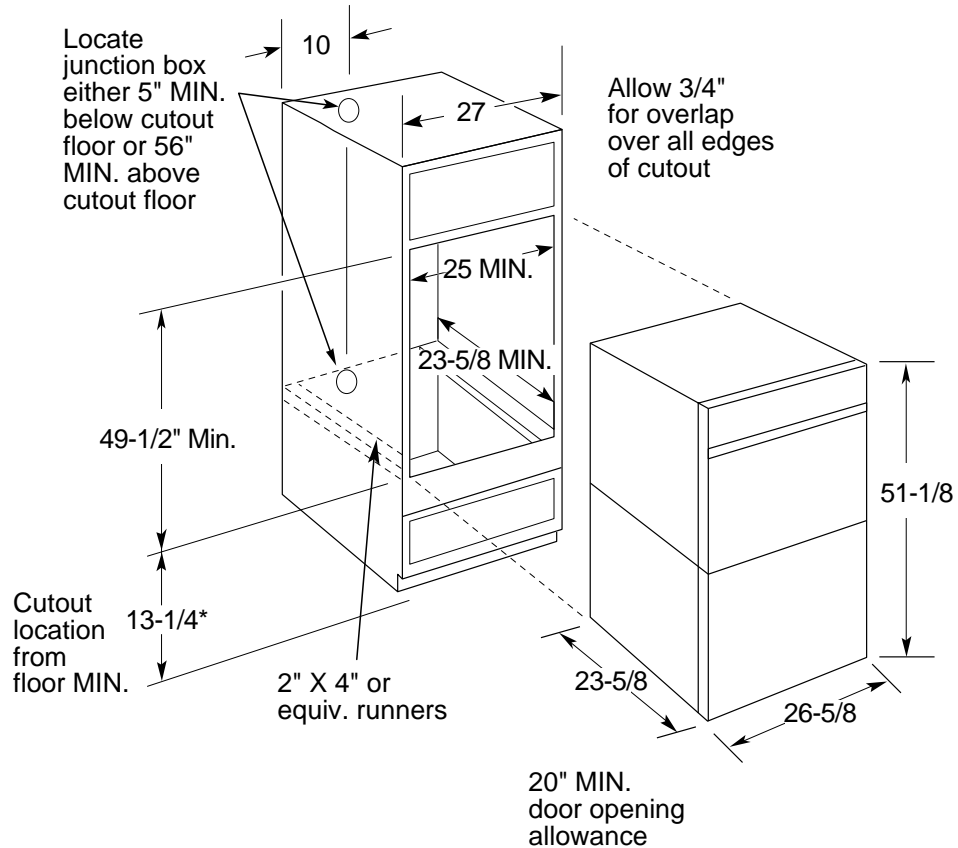




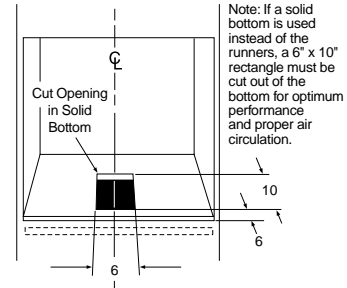
GE Appliances

JKP27WAWW - GE 27" Double Wall Ovens

Dimensions (in inches)



*Cutout location from floor (min.). Consult installation instructions for special installation applications.



KW Rating	
240V	7.1
208V	5.3
Breaker Size	
30 Amps†	

†Note: Check local codes for required breaker size

Installation Information: Before installing, consult installation instructions [Pub. No. 31-10200] packed with product for current dimensional data.

Note: Cabinets installed adjacent to wall ovens must have an adhesion spec of at least 194°

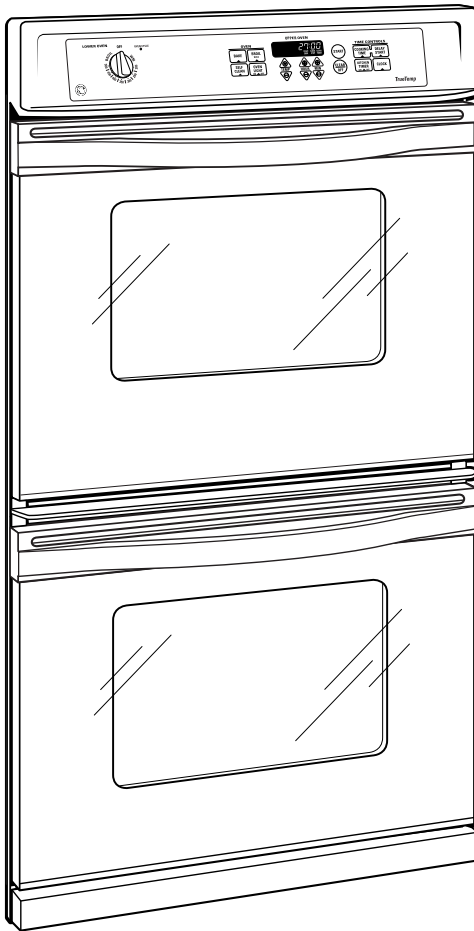
For answers to your Monogram®, GE Profile Performance Series™, GE Profile™ or GE appliance questions, call GE Answer Center® service, 800.626.2000.





GE Appliances

JKP27WAWW - GE 27" Double Wall Ovens



Features and Benefits

- TrueTemp™ System
- Upper Oven:
 - Large Capacity Self-Clean Oven with Delay Clean Option
 - 2 Oven Racks / 4 Embossed Rack Positions
 - SmartSet Electronic Oven Controls
 - Delay Time Bake Option with Cook and Hold
 - Auto Oven Shut-Off with Override
 - Variable Broil
- Lower Oven:
 - Large Capacity Standard Clean Oven
 - Rotary Controls
 - 2 Oven Racks / 4 Embossed Rack Positions
- Electronic Clock and Kitchen Timer
- Broiler Pan with Grid
- Frameless Glass Oven Doors with Big View Windows
- Sure Grip Designer-Style Handles
- 27" Oven Cabinet Width Required
- Model JKP27WAWW - White on white
- Model JKP27BABB - Black on black