

Café™ 30" Slide-In Front Control Dual-Fuel Convection Range with Warming Drawer

C2S900P2MS1

CAFÉ

DISTINCT BY DESIGN™



FEATURES & BENEFITS

Expansive six-burner cooktop helps you entertain with ease - Entertaining for large groups is easy with the industry's first six burner, edge-to-edge cooktop that can accommodate cookware of all sizes and a cast-iron integrated griddle that provides enough room to perfectly flip crab cakes, arepas and other crowd favorites

An attractive appearance at all times - Every detail of your kitchen is designed to delight, thanks to a sleek backlit glass touch control panel that visually disappears when not in use and wakes up when prompted

Share favorite creations with your favorite people - Create an unforgettable dinner, using a 21K tri-ring burner to do everything from searing scallops to simmering a lemon caper white wine sauce and a 15K power boil burner to boil water quickly for al dente angel hair pasta

Treat yourself to the best of both worlds - Get the precision you need to pull off a multi-course dinner party with Dual Fuel, which boasts a gas-powered cooktop for precise heat control and electric True European Convection with Precise Air in the oven for even baking results.

Never scrub, smooth-glide racks - Easily remove heavy dishes with a roller rack that is specially designed to glide smoothly and stay in the oven during the self-clean cycle, so you never have to handle cumbersome racks again

Create a look that matches your personal style - Select any combination of premium finishes and hardware options to create a stunning look customized to any owner's taste

Prepare foods to perfect doneness - Get roasts and meats just right with a temperature probe that lets you monitor progress without opening the oven door

WIFI-ENABLED FEATURES

Built-In WiFi, Powered by SmartHQ App - Manage all aspects of your kitchen with the help of the SmartHQ™ App or your voice assistant

Personalized Features + Upgrades - Usher in the latest features by downloading cooking upgrades right to your oven, putting Air Fry and more in your repertoire

No-Preheat Air Fry - Cook healthier, crispier versions of your favorite foods in less time, thanks to an air fryer right in your oven that doesn't require preheating, a basket or a special tray

APPEARANCE

Cooktop Burner Grate Color	Matte Black
Installation	Power Cord Not Included
Oven Door Features	Big Clear View Oven Window
Handle	Professional Style; Customizable; Consumer Removable
Handle Design	Café

FEATURES

Configuration	Range with Warming Drawer
Cooking Technology	Convection
Cooking System	True European Precise Air Reversing
Oven Cleaning Type	Self-Clean with Steam Clean Option
Burner - Left Front	21,000 BTU Tri-ring Burner
Burner - Left Rear	5,000 BTU Precise Simmer
Burner - Right Front	15,000 BTU
Burner - Right Rear	12,000 BTU
Burner - Center	9,500 BTU Front / 9,500 BTU Rear
Cooktop Burner Type	Sealed
Cooktop Surface	Deep Recessed Porcelain-Enamel Gray
Dishwasher Safe Knobs	Yes
Control Location	Front controls
Control Type	Backlit Glass Touch
Valves (Degree of Turn)	270
WiFi Enabled Features	No-Preheat Air Fry Voice Assistants (Google and Alexa) Scan-to-Cook Remote Control Remote Notifications Clock Sync
Oven Control Features	Audible Preheat Signal Automatic Oven Timer (Time Bake) Auto Oven Shut-Off Auto Self Clean Certified Sabbath Mode Chef Connect Control Lock Capability Delay Bake Option (Time Bake) Delay Clean Option Digipad Numeric Entry Electronic Clock and Timer Front Controls In-Oven Broiling Temperature Probe Self-Clean Cool Down Time Display
Oven Cooking Modes	Baked Goods Convection Bake Convection Roast Frozen Pizza Multi Rack Frozen Pizza Single Rack (No Preheat) Frozen Snacks Multi Rack Frozen Snacks Single Rack (No Preheat) Proof Warming
Cooktop Burner Grate Features	8-Pass Broil Element
Cooktop Burner Grate Material	Heavy-Cast Edge-to-Edge Grates Cast-Iron
Cleaning Time	Variable with Delay Clean Option
Self-Clean Oven Door Lock	Automatic
Oven Rack Features	2 Self-Clean Oven Racks 1 Roller Rack 6 Rack Positions
Fuel Type	240V Electric and Natural Gas
Ignition System	Electronic w/Auto Reignition
Leveling System	4 Leveling Legs
Style	Commercial
Oven Interior	1 Incandescent Hidden Bake Black
Connected Capabilities	Amazon Alexa The Google Assistant IFTTT Nest Drop Innit DiGiorno
Capacity	
Total Capacity (cubic feet)	5.7 cu ft

Café™ 30" Slide-In Front Control Dual-Fuel Convection Range with Warming Drawer

C2S900P2MS1

CAFÉ

DISTINCT BY DESIGN™

ACCESSORIES

Grates	Included Center Grate
Grill	Optional; Integrated Cast Iron; JXCGRILL1
LP Conversion Kit	Included
Trim Kit	Optional; JXFILLR1DD; JXFILLR1SS
Griddle	Included; Integrated Cast Iron

WEIGHTS & DIMENSIONS

Cabinet Opening	30 in
Depth with Door Open	47-1/2 in
Approximate Shipping Weight	244 lb
Net Weight	224 lb
Height to Top of Rear Vent Trim	37-3/8 in
Overall Height	37-3/8 in
Height to Cooking Surface (in.)	36-1/4 +/- 1/4
Overall Width	29-7/8 in
Cabinet Width	30 in
Overall Depth	29-1/2 in
Depth Without Handle	26-7/8 in
Oven Interior Dimensions (W x H x D) (in.)	24 x 19-7/8 x 20-5/8

POWER / RATINGS

Amp Rating at 208V	30
Amp Rating at 240V	30
Bake/Broil Wattage - Main Oven	2850/4000W
Convection Wattage	2500W
Top Burner BTU Rating - LP (000's BTU's)	(1) 18.0 Tri-Ring; (1) 15.0; (1) 12.0; (2) 9.5; (1) 5.0
Top Burner BTU Rating - Nat. Gas (000's BTU's)	(1) 21.0 Tri-Ring; (1) 15.0; (1) 12.0; (2) 9.5; (1) 5.0;
Volts/Hertz/Amps	208/240V; 60Hz; 30A
Power Connection	Power Cord - Not Included

WARRANTY

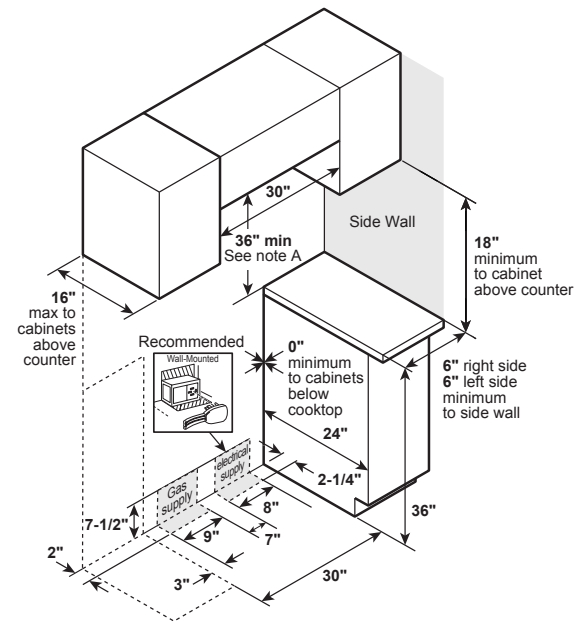
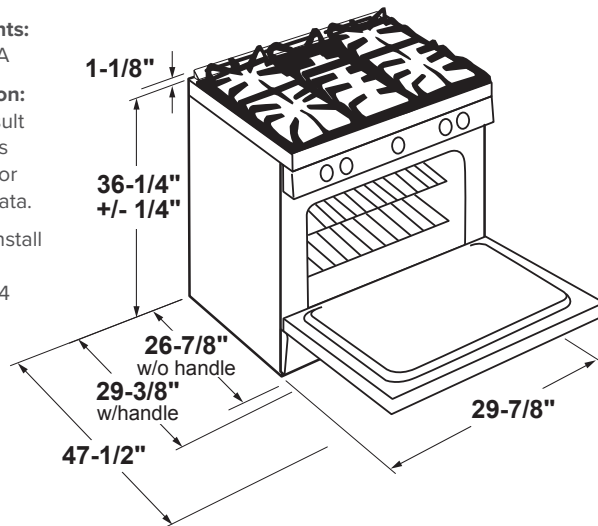
Parts warranty	Limited 1-year entire appliance
Labor warranty	Limited 1-year entire appliance

DIMENSIONS

Electrical Requirements:
240v/208v; 60Hz, 30A

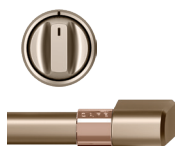
Installation information:
Before installing, consult installation instructions packed with product for current dimensional data.

For all installations, install the required rear trim to back of range with 4 screws provided.

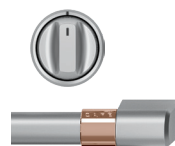


Note A: 36" Minimum to bare cabinet, see installation instructions for heights less than 36"

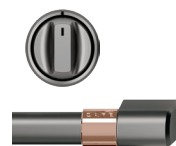
ADDITIONAL ACCESSORIES



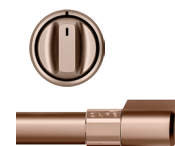
CXFCGHKPMBZ
Brushed Bronze
2 handles; 6 knobs



CXFCGHKPMSS
Brushed Stainless
2 handles; 6 knobs



CXFCGHKPMBT
Brushed Black
2 handles; 6 knobs



CXFCGHKPMCU
Brushed Copper
2 handles; 6 knobs