

CDT836P2MS1

GE Cafe™ Series Stainless Steel Interior Dishwasher with Hidden Controls

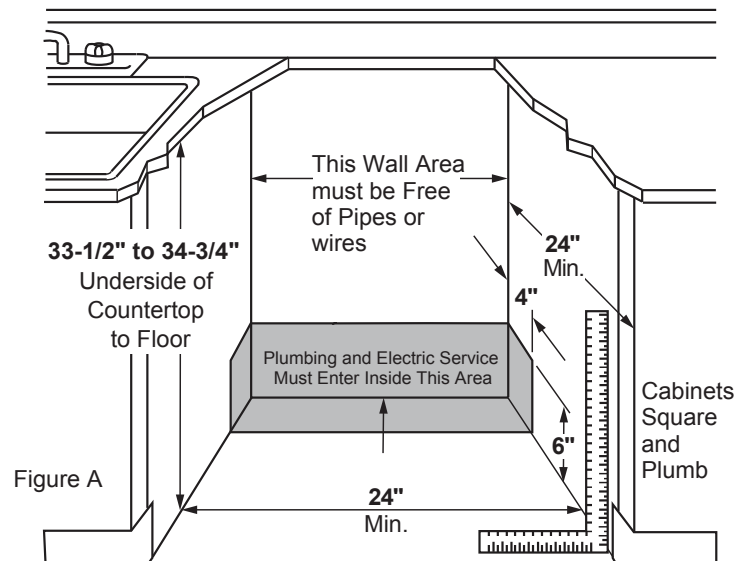
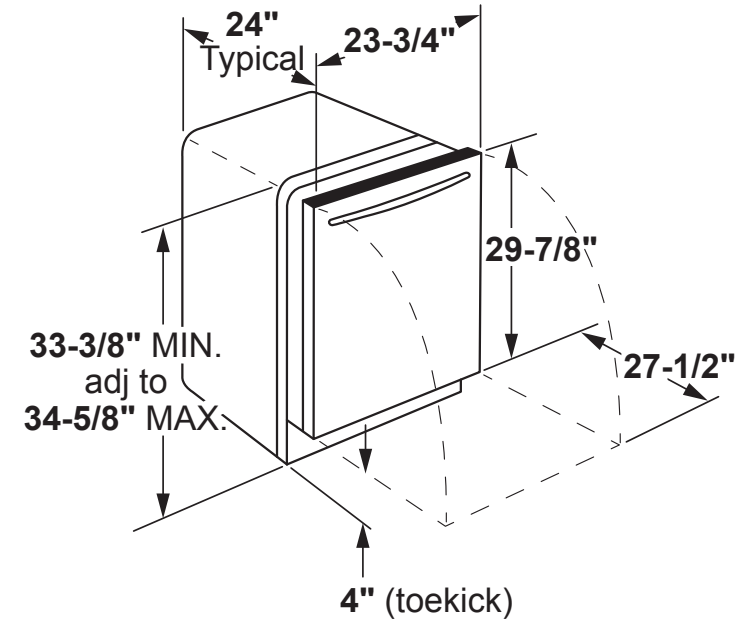
DIMENSIONS AND INSTALLATION INFORMATION (IN INCHES)

ELECTRICAL RATING

Voltage AC.....	120
Hertz.....	60
Total connected load amperage.....	7.2
Calrod® heater watts max.....	415/800

For use on adequately wired 120-volt, 15-amp circuit having 2-wire service with a separate ground wire. This appliance must be grounded for safe operation.

INSTALLATION INFORMATION: Before installing, consult installation instructions packed with product for current dimensional data.



For answers to your Monogram, GE Cafe™ Series, GE Profile™ Series or GE Appliances product questions, visit our website at geappliances.com or call GE Answer Center® Service, 800.626.2000.



Listed by Underwriters Laboratories



As an ENERGY STAR® partner, GE has determined that this product meets the ENERGY STAR guidelines for energy efficiency.

CDT836P2MS1

GE Cafe™ Series Stainless Steel Interior Dishwasher with Hidden Controls

FEATURES AND BENEFITS

Advanced Wash System with more than 140 Cleaning Jets – Set a stunning table with dishes that sparkle thanks to the industry’s most Advanced Wash System with over 140 cleaning jets that deliver complete coverage to every inch of the dishwasher

Deep Clean Silverware Jets – Spotted silverware has no place at your table, thanks to Deep Clean Silverware Jets that ensure every utensil comes out looking immaculate

Bottle Jets – Vases, canisters and bottles are always clean and ready for your table thanks to the targeted washing power of Bottle Jets

Reversing quad blade wash arm – Get dishes impressively clean with the revolutionary reversing quad-blade lower wash arm and its 25 spray jets to hit items from every angle

Easy touch adjustable upper rack with 2 Stem Safe shelves – Create more room for platters, baking sheets, stemware and more with an adjustable upper rack that glides up or down 2-inches with one easy touch

Hidden vent with fan dry – Plates, silverware and glassware are ready to go from dishwasher to the table thanks to a hidden vent with fan dry

Top control with LCD display – Sleek and easy to operate, the top control design and LCD display keeps buttons out of sight while still within reach

Side Jets – Achieve a complete clean with powerful side jets that cascade water to fill the dishwasher and washes soils away

Full-extension smooth-glide upper rack – Loading and unloading is smooth and simple with a full-extension upper rack that glides out with just a gentle pull

45 dBA – Run the dishwasher without interrupting the mood with ultra-quiet 45 dBA operations

Lower rack adjustable tines – Configure the lower rack however you please to fit anything from a large colander to a teacup saucer with adjustable, multi-position, fold-down tines

Wash Zones – Wash a true half-load, in either the upper or lower rack, without sacrificing cycles or full-load wash options with wash zones

Model CDT836P2MS1 – Stainless steel

