

# Café™ 30" Slide-In Front Control Radiant and Convection Range

CES700P4MW2 / CES700P3MD1 / CES700P2MS1

# CAFÉ

DISTINCT BY DESIGN™



ALSO AVAILABLE IN



CES700P2MS1  
Stainless Steel with Brushed Stainless handles and knobs



CES700P4MW2  
Matte White with Brushed Bronze handles and knobs



## FEATURES & BENEFITS

Seamless glass surface streamlines and simplifies cooking - A sleek look is yours with an edge-to-edge glass cooktop that provides a seamless, easy-to-clean surface with more usable cooking space for five course meals

The perfect match for pots and pans of all sizes - Tailor your burner size to your cookware with a 12"/9"/6" element with Power Boil

Precise control delivers consistently delicious results - Achieve perfectly even desserts with accurate heat circulation thanks to True European Convection with Precise Air

An attractive appearance at all times - Every detail of your kitchen is designed to delight, thanks to a sleek backlit glass touch control panel that visually disappears when not in use and wakes up when prompted

Create a look that matches your personal style - Select any combination of premium finishes and hardware options to create a stunning look customized to any owner's taste

Allow your appliances to interact with one another - Create a chef-like experience with Chef Connect, which can synchronize your appliance clocks and surface lights and vent when a range burner is in use, and even your microwave and range clocks

Tough racks simplify loading and unloading - Easily access everything from heavy roasts to delicate desserts with heavy duty roller racks that glide smoothly on ball bearings and can stand up to the heat of self-clean

When you're updating your kitchen, attention to detail is a priority. That's why Café 30" slide-in ranges are guaranteed for an exact fit or Café Appliances will pay up to \$300 toward modifications.

Prepare foods to perfect doneness - Get roasts and meats just right with a temperature probe that lets you monitor progress without opening the oven door

## WIFI-ENABLED FEATURES

Built-In WiFi, Powered by SmartHQ App - Manage all aspects of your kitchen with the help of the SmartHQ™ App or your voice assistant

Personalized Features + Upgrades - Usher in the latest features by downloading cooking upgrades right to your oven, putting Air Fry and more in your repertoire

No-Preheat Air Fry - Cook healthier, crispier versions of your favorite foods in less time, thanks to an air fryer right in your oven that doesn't require preheating, a basket or a special tray

## APPEARANCE

Oven Door Features	Big View Oven Window Easy clean oven door Full-Wrapped Matte Black
Handle	Professional Style Customizable Consumer Removable
Handle Design	Café
Textured Steel Side Panels	Yes

## FEATURES

Configuration	Range with Warming Drawer
Cooking System	True European Convection with Precise Air
Cooking Technology	Convection
Oven Cleaning Type	Self-Clean Steam Clean
Cooktop Burner Type	Radiant Smoothtop
Cooktop Surface	Black Ceramic Glass
Control Location	Front controls
Control Type	Digital Temperature Display with Electronic Touchpad
WiFi Enabled Features	No-Preheat Air Fry Remote Control Remote Notifications Scan-to-Cook (Oven) Timers (App) Clock Sync Voice Assistants (Google and Alexa)
Oven Control Features	Audible Preheat Signal Auto Oven Shut-Off with Override Auto Recipe Conversion Auto Self Clean Certified Sabbath Mode Chef Connect Control Lock Capability C° or F° Programmable Delay Bake Option (Time Bake) Delay Clean Option Electronic Clock & Kitchen Timer Fast Preheat Hi / Low Broil Oven "ON" Light Self-Clean Cool Down Time Display Temperature Probe
Oven Cooking Modes	Baked Goods Convection Bake Convection Roast Frozen Pizza Multi Rack Frozen Pizza Single Rack (No Preheat) Frozen Snacks Multi Rack Frozen Snacks Single Rack (No Preheat) Proof Warming 8-Pass Broil Element
Self-Clean Oven Door Lock	Automatic
Oven Rack Features	2 Self-Clean Heavy-Duty Oven Racks; 6 Rack Positions
Oven Interior	Black Gloss Finish Interior Oven Light
Connected Capabilities	Amazon Alexa The Google Assistant IFTTT Nest Drop Innit DiGiorno
Element - Left Front	8"/5" 1900W
Element - Left Rear	8" 2000W
Element - Right Front	12"/9"/6" 3600W Power Boil
Element - Right Rear	6" 1200W
Element - Center	6" 80W Warming Zone
Hot Surface Indicator Lights	1
Heating Element "ON" Indicator Light	Yes
Infinite Heat Controls	Yes
Warming Drawer Features	Removable Full-Width

## CAPACITY

Total Capacity (cubic feet)	5.7 cu ft
-----------------------------	-----------

## ACCESSORIES

Trim Kit	Optional JXFILLR1BB
----------	---------------------

# Café™ 30" Slide-In Front Control Radiant and Convection Range

# CAFÉ

DISTINCT BY DESIGN™

CES700P4MW2 / CES700P3MD1 / CES700P2MS1

## WEIGHTS & DIMENSIONS

Depth with Door Open	47-1/2 in
Approximate Shipping Weight	226 lb
Net Weight	206 lb
Height to Top of Rear Vent Trim	37-3/8 in
Overall Height	37-3/8 in
Height to Cooking Surface (in.)	36-1/4 +/- 1/4
Overall Width	29-7/8 in
Cabinet Width	30 in
Overall Depth	29-1/2 in
Depth without Handle	26-7/8 in
Oven Interior Dimensions (W x H x D) (in.)	24 x 19-7/8 x 20-5/8

## POWER / RATINGS

Amp Rating at 208V	40
Amp Rating at 240V	40
Convection Wattage	2500W
Bake Wattage	2850W
Broiler Wattage	4000W
KW Rating at 208V	10.4
KW Rating at 240V	13.8

## WARRANTY

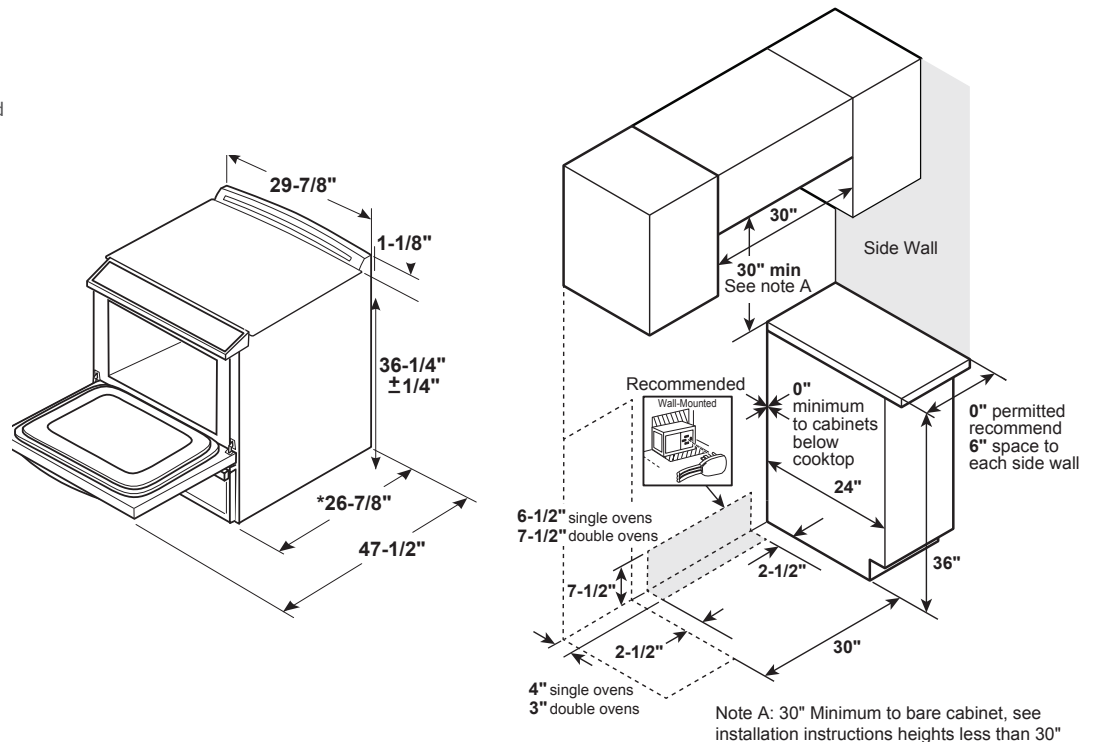
Parts warranty	Limited 1-year entire appliance
Labor warranty	Limited 1-year entire appliance

## DIMENSIONS

**Receptacle Locations:** Locally approved flexible service cord or conduit must be used because terminals are not accessible after range installation. See shaded area in drawing for location of electrical outlet box. Recommended outlet locations allow range to be installed directly against rear wall.

**Note:** This appliance has been approved for 0" spacing to adjacent surfaces above the cooktop. However, a 6" minimum spacing to surfaces less than 15" above the cooktop and adjacent cabinet is recommended to reduce exposure to steam, grease splatter and heat.

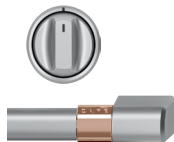
**Installation Information:** Before installing, consult installation instructions for current dimensional data and additional requirements.



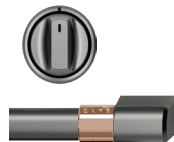
## ADDITIONAL ACCESSORIES



CXFCEHKPMBZ  
Brushed Bronze  
2 handles  
6 knobs



CXFCEHKPMSS  
Brushed Stainless  
2 handles, 6 knobs



CXFCEHKPMBT  
Brushed Black  
2 handles, 6 knobs



CXFCEHKPMCU  
Brushed Copper  
2 handles, 6 knobs