

# CHP9536SJ

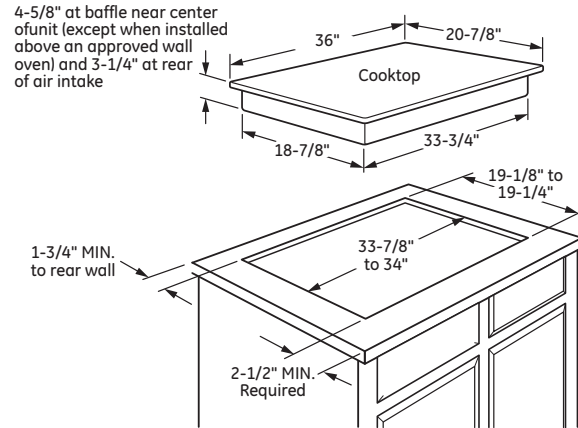
## GE Café™ Series 36" Built-In Touch Control Induction Cooktop

### DIMENSIONS AND INSTALLATION INFORMATION (IN INCHES)

**IMPORTANT:** Requires a 3" free area between the bottom of the cooktop to any combustible material, i.e., shelving. Free area not required when installing wall oven underneath cooktop. Refer to installation instructions. Requires a 15" minimum from cooktop to adjacent overhead cabinets. Units are furnished with a 48" flexible armored cable.

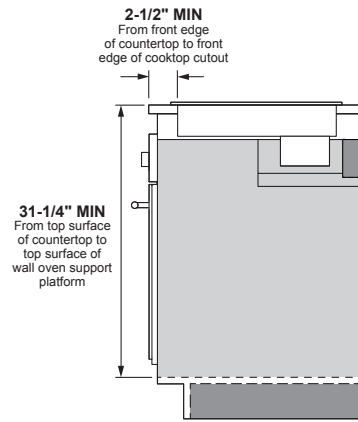
**NOTE:** 36" induction cooktops are approved for use over select GE 30" Single Wall Ovens and Warming Drawers. Refer to cooktop and wall oven/warming drawer installation instructions packed with product for current dimensional data. If installed with a GE Telescopic Downdraft System, consult both the cooktop and downdraft installation instructions packed with product before installing. Cooktop gas/electric supply may need to be re-routed to install downdraft. The countertop cutout requires 23-1/2" minimum flat countertop surface and 25" minimum total countertop depth. In addition, other clearances to front edge of the countertop must be considered. **Before installing, consult installation instructions packed with product for current dimensional data.**

### APPROXIMATE COOKING DIMENSIONS

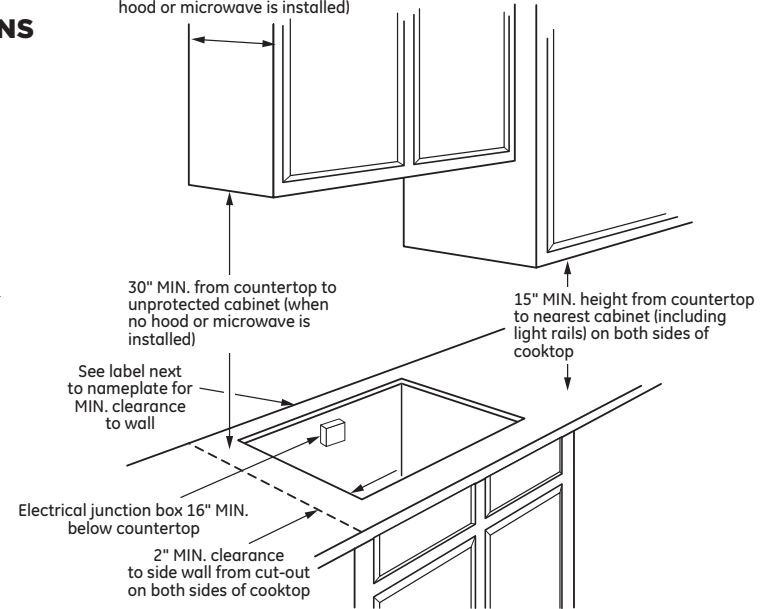


To insure accuracy, it is best to make a template when cutting the opening in the counter

### INSTALLATION ABOVE A WALL OVEN



13" MAX. depth of unprotected overhead cabinets (when no hood or microwave is installed)



### KW RATING

240V	11.1
208V	9.6
<b>AMPERAGE</b>	
240V	50 Amps <sup>†</sup>
208V	50 Amps <sup>†</sup>

**†NOTE:** Check local codes for required breaker size.



For answers to your Monogram, GE Café™ Series, GE Profile™ Series or GE Appliances product questions, visit our website at [geappliances.com](http://geappliances.com) or call GE Answer Center® Service, 800.626.2000.



# CHP9536SJ

## GE Café™ Series 36" Built-In Touch Control Induction Cooktop

### FEATURES AND BENEFITS

Five Induction elements – Enjoy a new level of rapid, precise heating with a cool-to-the-touch surface that's easy to clean

Glide touch controls – Precisely control heat instantly and easily with one swipe

11" 3,700-watt induction element – Rapidly boil water with GE's most powerful induction element

SyncBurners – Control two 7" elements simultaneously to evenly heat large cookware or griddles

Stainless Steel Clad Aluminum Griddle – Achieve even results with this lightweight griddle, tailored to fit GE SyncBurners

Multi-element timer – Manage up to five pans at once with individual timers for each element

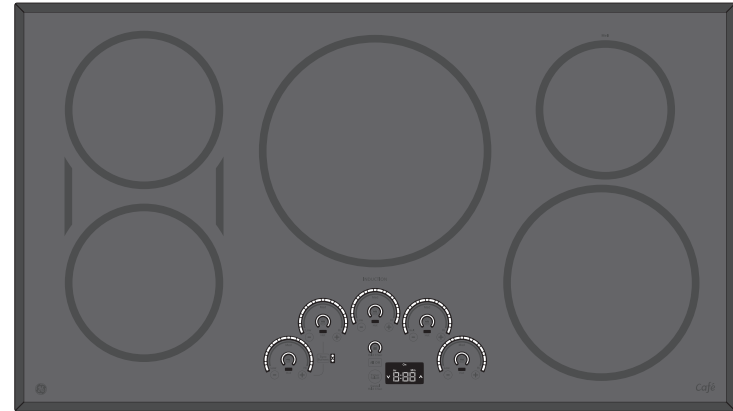
Control lock capability – Protects against unintended activation

Custom Settings – Personalize your cooktop settings to fit your cooking style

Pan presence & size sensor – Cook efficiently with elements that heat to the size of your pan and shut off when no pan is present

White LED display with beveled gray glass surface – Enjoy a premium look that blends in with modern kitchen finishes

Model CHP9536SJSS – Stainless steel



### OPTIONAL PRECISION COOKING KIT

Achieve restaurant quality results with a probe that wirelessly controls the temperature of your food. Ideal for Sous Vide, Slow Cooking, making candy, etc., or for any other cooking that requires precise control of temperature over time. Order part number JXSOUSV1 from your GE Dealer.

### GUARANTEED FIT

Replacing a similar cooktop from GE or another brand? GE cooktops are guaranteed for an exact fit to make replacement easy

Visit [geappliances.com](http://geappliances.com) for more info

