

# GDF530PGM/PSM/PMM

## GE® Dishwasher with Front Controls

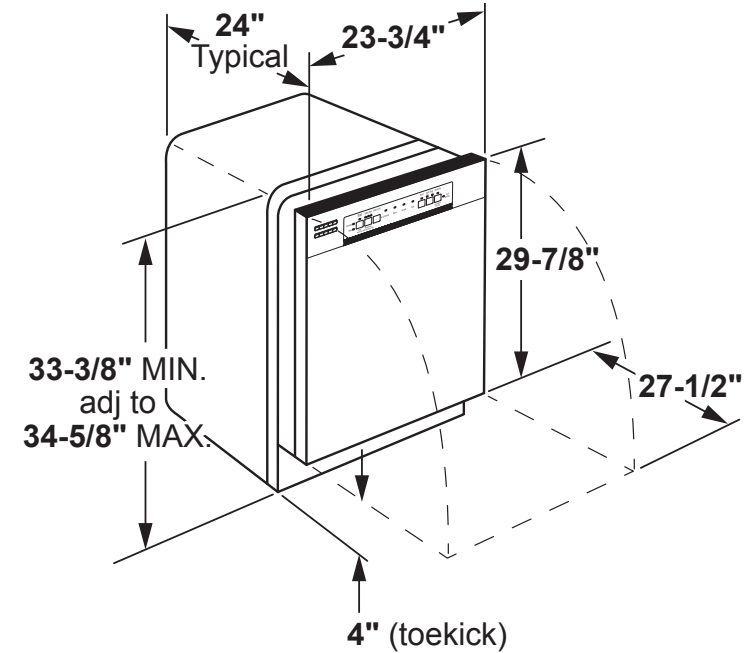
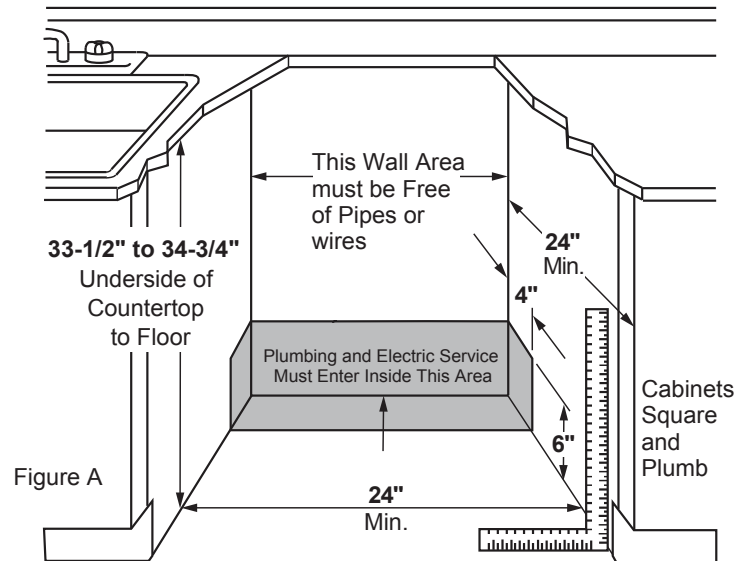
### DIMENSIONS AND INSTALLATION INFORMATION (IN INCHES)

#### ELECTRICAL RATING

Voltage AC.....	120
Hertz.....	60
Total connected load amperage.....	7.1
Calrod® heater watts max.....	800/500

For use on adequately wired 120-volt, 15-amp circuit having 2-wire service with a separate ground wire. This appliance must be grounded for safe operation.

**INSTALLATION INFORMATION:** Before installing, consult installation instructions packed with product for current dimensional data.



For answers to your Monogram, GE Café™ Series, GE Profile™ Series or GE Appliances product questions, visit our website at [geappliances.com](http://geappliances.com) or call GE Answer Center® Service, 800.626.2000.



Certified to NSF  
Standard 184 for  
sanitization



Listed by  
Underwriters  
Laboratories



As an ENERGY STAR® partner, GE has determined that this product meets the ENERGY STAR guidelines for energy efficiency.

Specification Revised 6/21

# GDF530PGM/PSM/PMM

## GE® Dishwasher with Front Controls

### FEATURES AND BENEFITS

**Dry Boost** – Gets hard-to-dry items up to 3 times dryer than standard dry cycles

**Active Flood Protect** – An internal sensor prevents the dishwasher from overflowing, so you have peace of mind with every cycle

**Steam + Sani** – Loosens tough soils before any cycle virtually eliminating the need for soaking or pre-rinsing dishes. Plus a High-temperature rinse sanitizes and reduces 99.999% of bacteria found on dishes

**Piranha Hard Food Disposer** – To ensure consistently clean items, this stainless steel blade rotates at 3,600 RPM to pulverize food particles and helps to prevent large particles from clogging the wash arms

**1 Hr Wash** – Enjoy a quality clean when you're short on time

**AutoSense cycle** – Automatically adjusts to soil level to maximize energy savings and ensure clean dishes

**Adjustable Upper Rack** – Fitting plates up to 10½" and other tall items in the upper rack is possible with an adjustment

dBA54

Model GDF530PSMSS – Stainless steel

Model GDF530PGMWW – White

Model GDF530PGMBB – Black

Model GDF530PGMCC – Bisque

Model GDF530PMMES – Slate

