

GDF640HGM/HMM/HSM

GE® Stainless Steel Interior Dishwasher with Front Controls

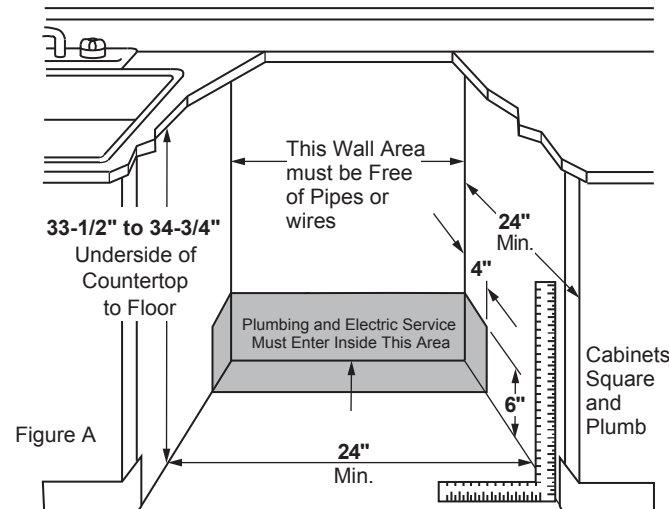
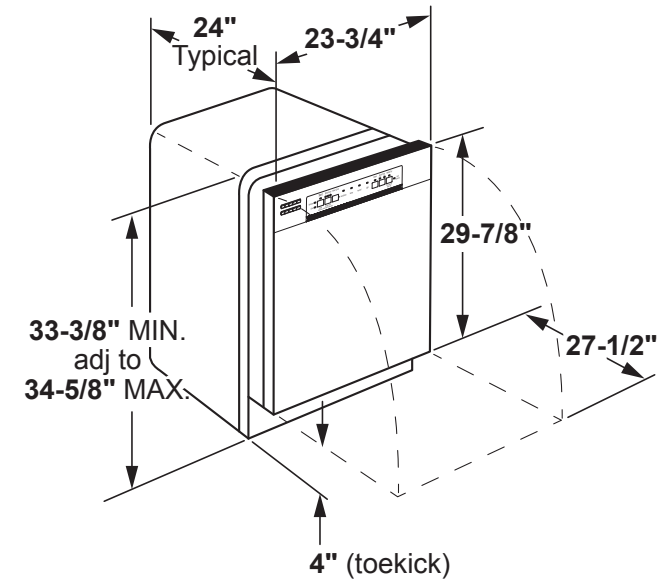
DIMENSIONS AND INSTALLATION INFORMATION (IN INCHES)

ELECTRICAL RATING

Voltage AC.....	120
Hertz.....	60
Total connected load amperage.....	7.1
Calrod® heater watts max.....	800/500

For use on adequately wired 120-volt, 15-amp circuit having 2-wire service with a separate ground wire. This appliance must be grounded for safe operation.

INSTALLATION INFORMATION: Before installing, consult installation instructions packed with product for current dimensional data.



For answers to your GE Profile™ Series or GE Appliances product questions, visit our website at geappliances.com or call GE Answer Center® Service, 800.626.2000.



Certified to NSF Standard 184 for sanitation



Listed by Underwriters Laboratories



As an ENERGY STAR® partner, GE has determined that this product meets the ENERGY STAR guidelines for energy efficiency.

Specification Created 4/20

GDF640HGM/HMM/HSM

GE® Stainless Steel Interior Dishwasher with Front Controls

FEATURES AND BENEFITS

3rd Rack – Easily clean an entire flatware collection, knives and small utensils with an additional rack across the top of the dishwasher

Dry Boost™ – Gets hard-to-dry items up to 3 times drier than heated dry cycles *Compared to heated dry option

Active Flood Protect – An internal sensor prevents the dishwasher from overflowing, so you have peace of mind with every cycle (Available June 2020)

4 Bottle Wash Jets – Clean hard-to-reach areas inside tall items with up to 4 dedicated jets integrated into the upper rack that shower water deep inside for the ultimate clean

Wash Zones – Wash a true half-load in either the upper or lower rack without sacrificing cycles and options available on a full wash

Three-level 600 Series Wash System – Get full wash coverage from three pressurized wash zones

Steam Sanitizing Wash – A sanitize setting reduces 99.999% of bacteria found on dishes, and a steam setting loosens tough soils, so there's no need to pre-rinse dishes

Dedicated Silverware Jets – Get table-ready silverware thanks to powerful jets that focus on silverware baskets

Piranha Hard Food Disposer – To ensure consistently clean items, this stainless steel blade rotates at 3,600 RPM to pulverize food particles and helps to prevent large particles from clogging the wash arms

Adjustable Upper Rack – Fitting plates up to 10 1/2" and other tall items in the upper rack is possible with an adjustment

1 Hr Wash – Enjoy a quality clean when you're short on time

Model GDF640HSMSS – Stainless steel

Model GDF640HGMWW – White

Model GDF640HGMBB – Black

Model GDF640HMMES – Slate

