

# GDT530PSP/PMP/PGP

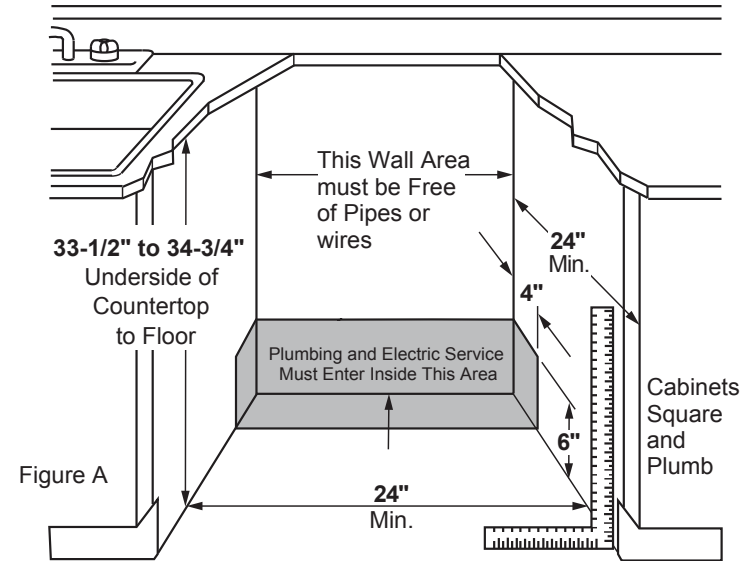
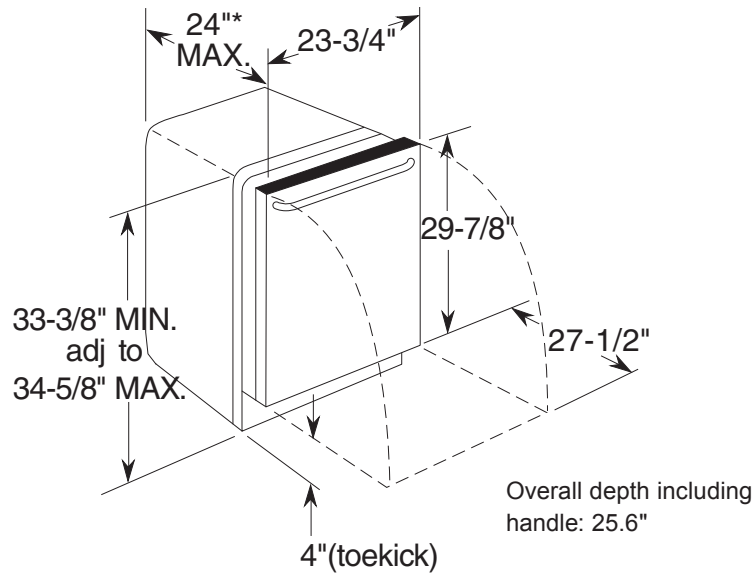
## GE® Dishwasher with Hidden Controls

### DIMENSIONS AND INSTALLATION INFORMATION (IN INCHES)

#### ELECTRICAL RATING

Voltage AC.....	120
Hertz.....	60
Total connected load amperage.....	7.1
Calrod® heater watts.....	800/500

For use on adequately wired 120-volt, 15-amp circuit having 2-wire service with a separate ground wire. This appliance must be grounded for safe operation.



For answers to your Monogram, GE Café™ Series, GE Profile™ Series or GE Appliances product questions, visit our website at [geappliances.com](http://geappliances.com) or call GE Answer Center® Service, 800.626.2000.



Certified to NSF Standard 184 for sanitation



Listed by Underwriters Laboratories



As an ENERGY STAR® partner, GE has determined that this product meets the ENERGY STAR guidelines for energy efficiency.

Specification Revised 4/20

# GDT530PSP/PMP/PGP

## GE® Dishwasher with Hidden Controls

### FEATURES AND BENEFITS

Dry Boost™ – Gets hard-to-dry items up to 3 times drier than heated dry cycles \*Compared to heated dry option

Steam + Sani – Loosens tough soils before any cycle virtually eliminating the need for soaking or pre-rinsing dishes. Plus a High-temperature rinse sanitizes and reduces 99.999% of bacteria found on dishes

Active Flood Protect – An internal sensor prevents the dishwasher from overflowing, so you have peace of mind with every cycle (Available June 2020)

1 Hr Wash – Enjoy a quality clean when you're short on time

AutoSense cycle – Automatically adjusts to soil level to maximize energy savings and ensure clean dishes

Sanitize Cycle – High-temperature rinse sanitizes and reduces 99.999% of bacteria found on dishes

Dedicated Silverware Jets – Get table-ready silverware thanks to powerful jets that focus on silverware baskets

Piranha Hard Food Disposer – To ensure consistently clean items, this stainless steel blade rotates at 3,600 RPM to pulverize food particles and helps to prevent large particles from clogging the wash arms

Nylon Racks – Durable racks are designed to resist rust and secure dishes

Adjustable Upper Rack – Fitting plates up to 10½" and other tall items in the upper rack is possible with an adjustment

1-12 hour Delay Start – Wash dishes at your convenience

54 dBA – Quiet, but powerful and efficient cleaning

16 place setting capacity – For optimal capacity

Approximate Dimensions: 34 H x 23 ¾ W x 24 D

Limited 1-year entire appliance warranty

Model GDT530PMPES – Slate

Model GDT535PGPBB – Black

Model GDT530PSPSS – Stainless Steel

Model GDT530PGPWW – White

