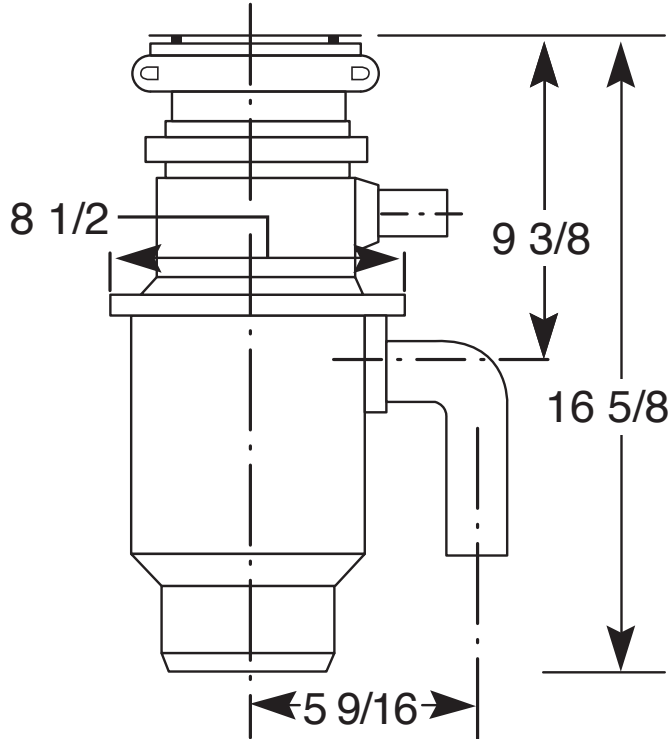


# GFB760N

## GE® 3/4 Horsepower Batch-Feed Disposer

### DISPOSALL® FOOD WASTE DISPOSER DIMENSIONS (IN INCHES)



INLET/OUTLET DIAMETERS	
Dishwasher inlet diameter (in.)	1
Drain outlet diameter (in.)	1-1/2

POWER/RATINGS	
Power Connection	Direct Wire
Volts/Hertz/Amps	120 V/60 Hz/6.0 A



For answers to your GE Profile™ Series or GE Appliances product questions, visit our website at [geappliances.com](http://geappliances.com) or call GE Answer Center® Service, 800.626.2000.



Specification Revised 4/19

# GFB760N

## GE® 3/4 Horsepower Batch-Feed Disposer

### FEATURES AND BENEFITS

3/4 Horsepower Motor

Super-Capacity, Batch-Feed Disposer

Over 2,700 RPM Grinding Action\*

Stainless Steel Jam-Resistant, Dual-Swivel Impellers

EZ Mount installation – 3-bolt mount adapter kit included in box

Direct Wire Power Connection

Sound Reduction Technology

Cold Rolled Carbon Steel Armature Shaft Material

Sink Stopper

Manual Reset Overload Protector

Dishwasher Drain Connector

Stainless Steel Sink Flange

Stainless Steel Turntable

2 Level Precutter

Model GFB760N

\*Based on RPM testing of cleared GE and competitive models

