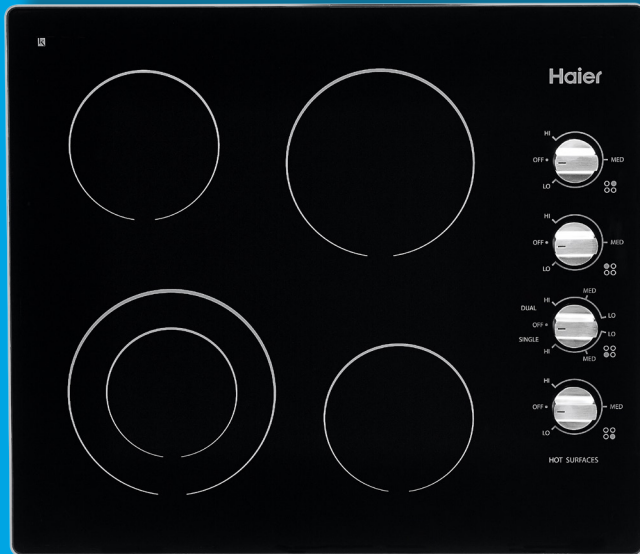


24" Electric Radiant Cooktop

HCC2320AES

Available



Unit Specifications

Width	24"
Depth	21"
Height	3 1/8"
Weight	27 lb.
UPC	688057373980

More Easy-To-Use Features

- Four Elements with Different Sizes and Temperature Levels

Front Left Dual Element

- Size 7 3/4" – 4 3/4"
- Power 1,900W/800W

Rear Left Element

- Size 5 1/2"
- Power 1,200W

Rear Right Element

- Size 7"
- Power 1,800W

Front Right Element

- Size 5 1/2"
- Power 1,200W

- Hot Surface Indicator

Signature Features

Brushed Stainless Trim

Provides a sophisticated finish that complements every kitchen

Smooth Ceramic Glass Cooking Surface

Features an easy-to-clean surface that makes mealtime more effortless

Heavy Duty Metal Knobs

Combine high-end appearance and simple functionality

Dual Left Front Element

Enables the use of variously sized cookware on one element

Warranty

- 2 Year Warranty (Parts and Labor)

Available Finishes

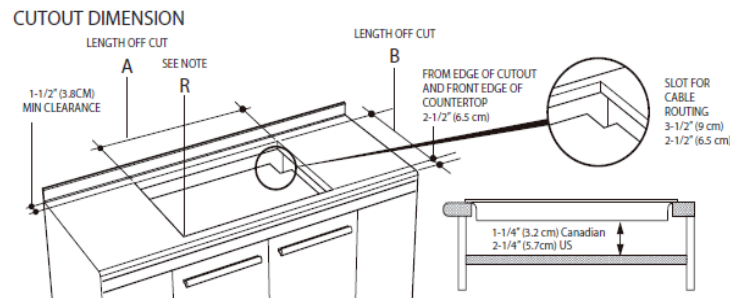


Black Ceramic Glass

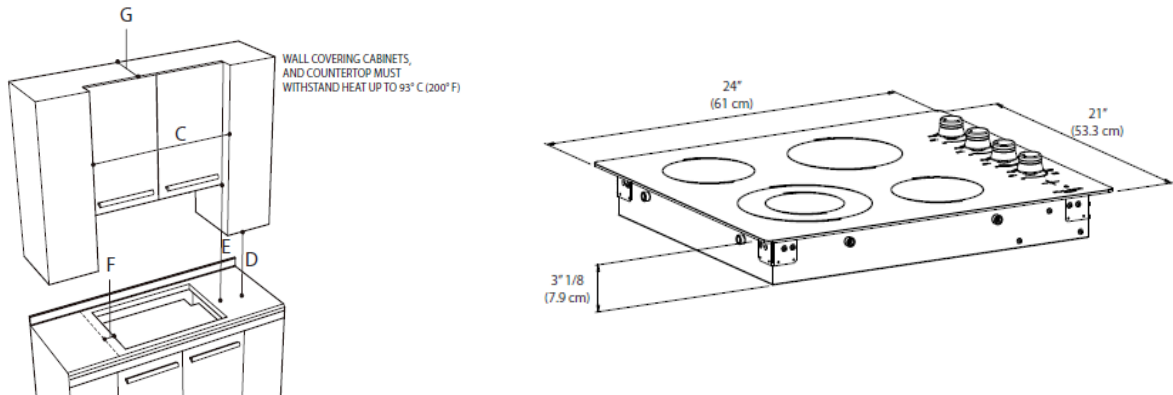
Letter	Cutout Dimension	in.
A	Cutout Width	Min 22 5/8" Max 22 13/16"
B	Cutout Depth	Min 19 1/4" Max 19 9/16"
C	Opening Between Cabinets	Min 24"
D	Height from countertop to nearest cabinet	Min 18"
E	Clearance from countertop to overhead surface	Min 30"
F	Clearance from cutout to side wall	Min 2"
G	Depth of overhead cabinets	Min 13"

Overall Packaging Details	
Packaging	lb./in.
Gross Weight	30 lb.
Dimensions	W 27 1/2"
	D 23 3/4"
	H 7 1/2"
Power/Ratings (208/240V, 60Hz)	
kW/Amps Ratings at 240V/60Hz	6.100kW/ 25.42Amps
kW/Amps Ratings at 208V/60Hz	4.582kW/ 22.03Amps

Product Technical Illustration



CUTOUT REQUIREMENTS



General Appliance Information

Please read all installation details and instructions before use.

Contact Us

For questions regarding this product please refer to our website at haieramerica.com or call our customer service center at 877-337-3639.

