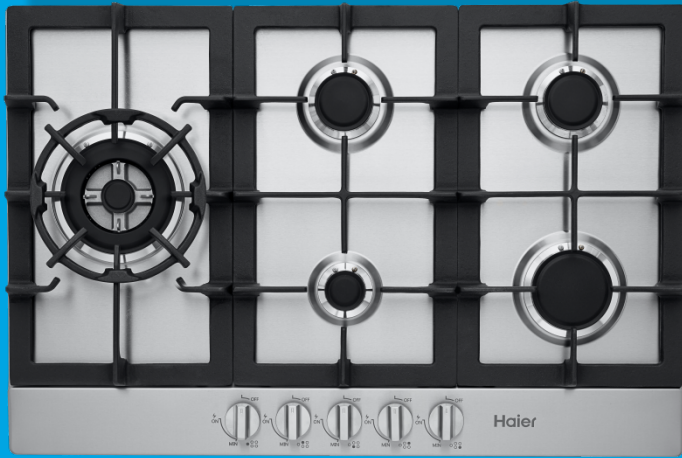


## 30" Gas Cooktop

HCC3230AGS



### Signature Features

#### Stainless Steel Finish

Features a clean, modern aesthetic that elevates any kitchen

#### Triple Ring Burner

Delivers intense heat for high output cooking performance

#### Heavy Duty Continuous Cast Iron Grates

Allow easy movement of cookware while Providing even heat distribution with better heat retention

#### Heavy Duty Metal Knobs

Combine high-end appearance and simple functionality

Available

### Unit Specifications

Width	30 5/16"
Depth	20"
Height	2 1/2"
Weight	36 lb.
UPC	688057374086

### More Easy-To-Use Features

- Brass Burners
- Electronic Ignition
- Conversion Kit Included
- Two Semi-Rapid Burners
- One Auxiliary Burner
- Wok Ring Included
- Five Sealed Burners

#### Left Burner:

- Max. 13,000 BTU/hr

#### Rear Right Burner

- Max. 5,800 BTU/hr

#### Front Right Burner

- Max. 10,250 BTU/hr

#### Front Center Burner

- Max. 3,400 BTU/hr

#### Rear Center Burner

- Max. 5,800 BTU/hr

### Warranty

- 2 Year Warranty (Parts and Labor)

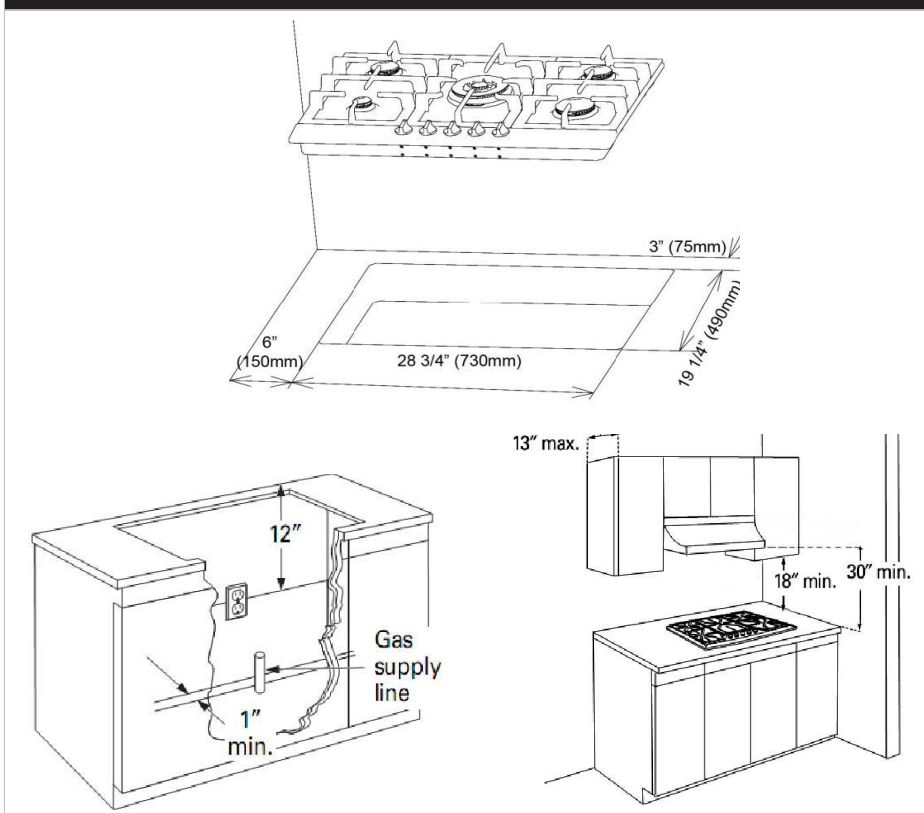
### Available Finishes



Stainless Steel

Cutout Dimension		in.
Cutout Width		28 3/4"
Cutout Depth		19 1/4"
Distance from front of cabinet to cooktop		Min. 18"
Distance from front of cabinet to ventilation		Min. 30"
Overall Packaging Details		
Packaging		lb./in.
Gross Weight		42 lb.
Dimensions	W	32.02"
	D	22.59"
	H	6.48"
Power Requirements		
Electrical Rating	120V, 60Hz	
Max Power (BTU/h)	38,250 (BTU/h)	

### Product Technical Illustration



### General Appliance Information

Please read all installation details and instructions before use.

### Contact Us

For questions regarding this product please refer to our website at [haieramerica.com](http://haieramerica.com) or call our customer service center at 877-337-3639.

