

## 36" Electric Radiant Cooktop

HCC6320AES

Available Q3 2015



### Unit Specifications

Width	36"
Depth	21"
Height	2. 3/16"
Weight	35 lb.
UPC	688057374000

### More Easy-To-Use Features

- Five Elements with Different Sizes and Temperature Levels

#### Front Left Dual Element

- Size 9" – 5"
- Power 2,500W/1,100W

#### Rear Left Element

- Size 6"
- Power 1,200W

#### Center Dual Element

- Size 11" – 8"
- Power 2,700W/1,800W

#### Rear Right Element

- Size 7"
- Power 1,800W

#### Front Right Element

- Size 6"
- Power 1,200W

- Hot Surface Indicator

### Signature Features

#### Brushed Stainless Trim

Provides a sophisticated finish that complements every kitchen

#### Smooth Ceramic Glass Cooking Surface

Features an easy-to-clean surface that makes mealtime more effortless

#### Heavy Duty Metal Knobs

Combine high-end appearance and simple functionality

#### Dual front left and Center Elements

Enable the use of variously sized cookware on one element

### Warranty

- 2 Year Warranty (Parts and Labor)

### Available Finishes

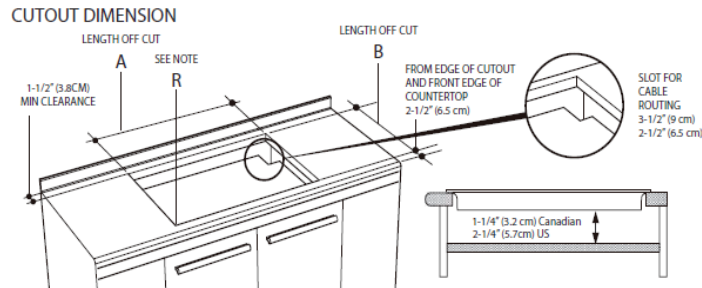


Black Ceramic Glass

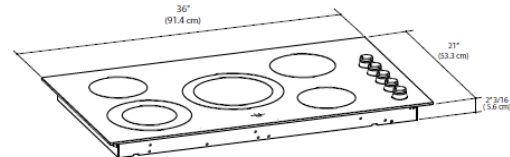
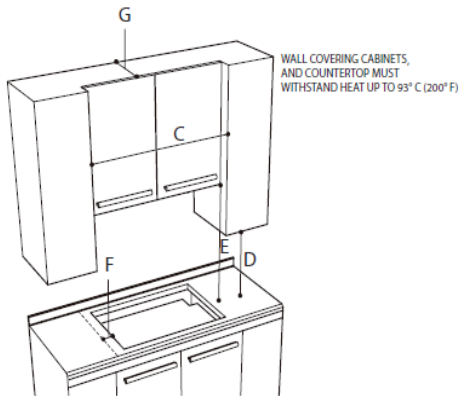
Letter	Cutout Dimension	in.
A	Cutout Width	Min 34 1/16" Max 34 5/16"
B	Cutout Depth	Min 19 1/4" Max 19 5/8"
C	Opening Between Cabinets	Min 24"
D	Height from countertop to nearest cabinet	Min 18"
E	Clearance from countertop to overhead surface	Min 30"
F	Clearance from cutout to side wall	Min 2"
G	Depth of overhead cabinets	Min 13"

Overall Packaging Details	
Packaging	lb./in.
Gross Weight	39 lb.
Dimensions	<b>W</b> 39 1/4" <b>D</b> 23 1/2" <b>H</b> 6 1/2"
Power/Ratings (208/240V, 60Hz)	
kW/Amps Ratings at 240V/60Hz	9.400kW/ 39.17Amps
kW/Amps Ratings at 208V/60Hz	7.060kW/ 33.94Amps

### Product Technical Illustration



### CUTOUT REQUIREMENTS



### General Appliance Information

Please read all installation details and instructions before use.

### Contact Us

For questions regarding this product please refer to our website at [haieramerica.com](http://haieramerica.com) or call our customer service center at 877-337-3639.

