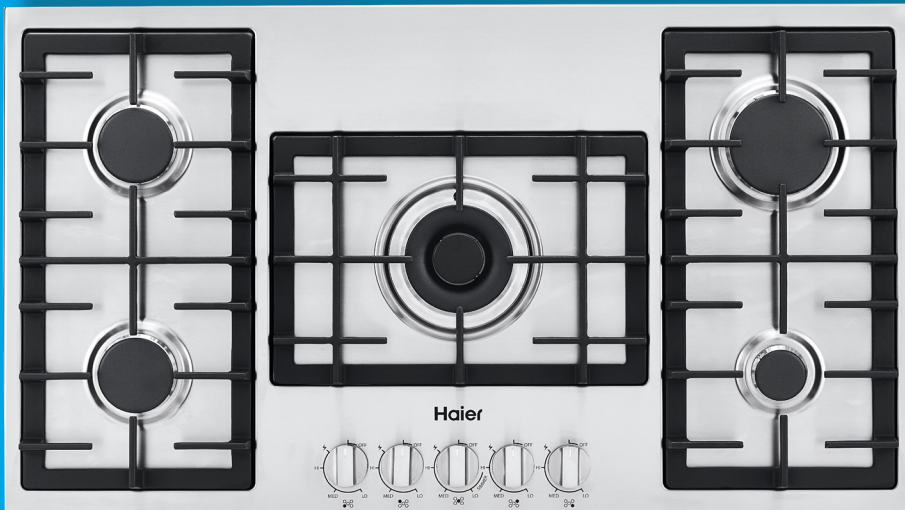


36" Gas Cooktop

HCC6430AGS

Available Q3 2015



Unit Specifications

Width	36"
Depth	20 1/16"
Height	3 15/16"
Weight	50 lb.
UPC	688057374031

More Easy-To-Use Features

- Electric Flame Ignition and Re-Ignition
- Flame-Out Sensing
- Conversion Kit Included
- Five Sealed Burners

Front Left Burner:

- Max. 6,300 BTU/hr –
- Min. 1,300 BTU/hr

Rear Left Burner

- Max. 9,000 BTU/hr –
- Min. 1,300 BTU/hr

Middle Burner

- Max. 18,000 BTU/hr –
- Min. 700 BTU/hr

Rear Right Burner

- Max. 12,000 BTU/hr –
- Min. 2,200 BTU/hr

Front Right Burner

- Max. 4,000 BTU/hr –
- Min. 1,000 BTU/hr

Signature Features

Stainless Steel Finish

Features a clean, modern aesthetic that elevates any kitchen

Dual Burner

Allows the flexibility to boil at a rapid rate or simmer at low heat

Heavy Duty Cast Iron Grates

Provide even heat distribution with better heat retention

Heavy Duty Metal Knobs

Combine high-end appearance and simple functionality

Warranty

- 2 Year Warranty (Parts and Labor)

Available Finishes



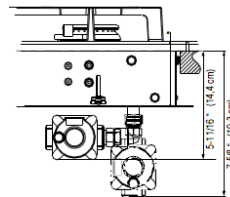
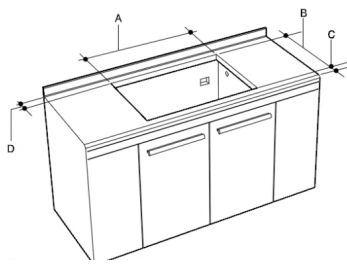
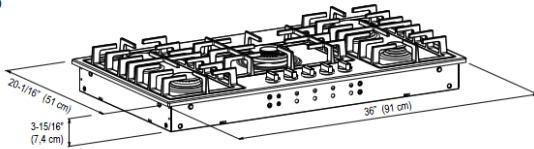
Stainless Steel

Letter	Cutout Dimension	in.
A	Cutout Width	Min 34 7/8" Max 35"
B	Cutout Depth	Min 19 5/16" Max 19 3/8"
C	Distance from front of cabinet to cooktop	2 1/2"
D	Distance from back of cabinet to cooktop	Min 3"

Overall Packaging Details	
Packaging	lb./in.
Gross Weight	55 lb.
Dimensions	W 39 3/4"
	D 23 5/8"
	H 8 1/4"
Power/Ratings (208/240V, 60Hz)	
Electrical Rating	120V, 60Hz
Max Power (BTU/h)	49,300 (BTU/h)

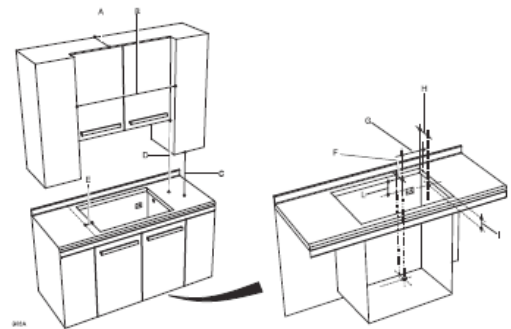
Product Technical Illustration

36"



*** NOTE:**

- If cabinet has a drawer, a 5-1/4" (13.35 cm) depth clearance from the top of the countertop to the top of the drawer (or other obstruction) in base cabinet is required. The drawer depth may need to be shortened to avoid interfering with the regulator.
- 24" (61 cm) min. clearance if bottom of wood or metal cabinets is protected by not less than 1/4" (0.6 cm) flame retardant millboard covered with not less than No. 28 MSG sheet steel 0.015" (0.04 cm) stainless steel, or 0.024" (0.06 cm) aluminum or 0.020" (0.05 cm) copper. 30" (76.2 cm) min. clearance between top of cooking platform and bottom of unprotected wood or metal cabinet.



- A 13" (33 cm) Depth of unprotected overhead cabinets.
- B 24" (61.0 cm) MIN. (Model 24").
30" (76.2 cm) MIN. (Model 30").
36" (91.4 cm) MIN. (Model 36").
- C 18" (47.7 cm) MIN. Height from countertop to nearest cabinet on either side of unit.
- D 30" (76.2 cm) MIN. (see Note*) Clearance from countertop to unprotected overhead surface.
- E 5" (12.7 cm) min. Clearance from cut out to side wall on the left and right of the unit.
- F From the back corner of cut-out to hole center 2-9/32" (5.8 cm).
- G From the right corner of cut-out to hole center 2-19/32" (6.6 cm).
- H From the back corner of cut-out to hole center 2-9/32" (5.8 cm). Opening with oven under cooktop.
- I From the top of countertop to hole center 4-25/32" (12.2 cm). Opening with oven under cooktop.
- L Electric outlet from bottom of counter top and adjacent to the cabinet side 12" (30.5 cm).
- Hole 1-1/8" (3 cm).

*** NOTE:**

- If cabinet has a drawer, a 5-1/4" (13.35 cm) depth clearance from the top of the countertop to the top of the drawer (or other obstruction) in base cabinet is required. The drawer depth may need to be shortened to avoid interfering with the regulator.
- 24" (61 cm) min. clearance if bottom of wood or metal cabinets is protected by not less than 1/4" (0.6 cm) flame retardant millboard covered with not less than No. 28 MSG sheet steel 0.015" (0.04 cm) stainless steel, or 0.024" (0.06 cm) aluminum or 0.020" (0.05 cm) copper. 30" (76.2 cm) min. clearance between top of cooking platform and bottom of unprotected wood or metal cabinet.

General Appliance Information

Please read all installation details and instructions before use.

Contact Us

For questions regarding this product please refer to our website at haieramerica.com or call our customer service center at 877-337-3639.

