

## 36" 3.8 Cubic Foot Dual Fuel Freestanding Range

HCR6250ADS



Available

### Unit Specifications

Width	35.43"
Depth	25"
Height	35.43"
Weight	182 lb.
UPC	688057374109

### More Easy-To-Use Features

- Stainless Steel Sides
- Electronic Control
- Digital Clock with Automatic Cut-off Timer
- One Rapid Burner
- Two Semi-rapid Burners
- One Auxiliary Burner
- Removable Interior Glass Door
- 1,960W Concealed Bake Element
- 3,158W Broil Element
- Seven Heating Methods:
  - Defrost
  - Convection Bake
  - Convection Broil
  - High Broil
  - Low Broil
  - Pizza
  - Bake
- Two Grilling Racks and a Baking Tray Included
- Wok Ring Included
- Back Guard Included

### Signature Features

#### True European Convection

Includes 2 rear fans with two 1,250W heating elements to distribute hot air throughout the oven for fast, more even baking

#### Triple Ring Burner

Delivers intense heat for high output cooking performance

#### Heavy Duty Continuous Cast Iron Grates

Allow easy movement of cookware while Providing even heat distribution with better heat retention

#### Halogen Interior Lighting

Distributes bright, clear light throughout the oven

### Warranty

- 2 Year Warranty (Parts and Labor)

### Available Finishes



Stainless Steel

[haieramerica.com](http://haieramerica.com)

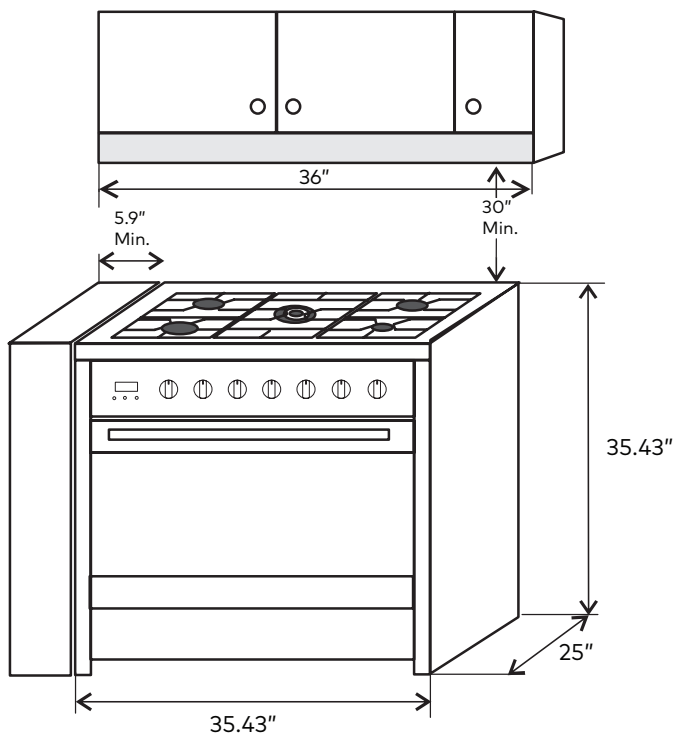
### Overall Packaging Details

Packaging	lb./in.	
Gross Weight	205 lb	
Dimensions	<b>W</b>	36.94"
	<b>D</b>	27.51"
	<b>H</b>	36.94"

### Power Requirements

Electrical Rating	208/240V, 60Hz
-------------------	----------------

### Product Technical Illustration



\* Leveling legs included in accessory package in smaller box.

### General Appliance Information

Please read all installation details and instructions before use.

### Contact Us

For questions regarding this product please refer to our website at [haieramerica.com](http://haieramerica.com) or call our customer service center at 877-337-3639.

