

## 30" Single 5.0 Cubic Foot True European Convection Oven

HCW3260AES

Available Q3 2016



Product image does not represent final photography.

### Signature Features

#### Stainless Steel Finish

Features a clean, modern aesthetic that elevates any kitchen

#### True European Convection

Includes a rear fan and a third 2,500-watt heating element to distribute hot air throughout the oven for faster, more even baking

#### Defrost Mode

Circulates air around the oven cavity, safely defrosting frozen foods in half the time

#### 2,000W Concealed Bake Element

Sits beneath a smooth surface for easier cleanup

### Unit Specifications

Width	29 7/8"
Depth	23 1/2"
Height	28 7/16"
Weight	169 lb.
UPC	688057374406

### More Easy-To-Use Features

- Halogen Interior Lighting
- Seven Cooking Modes
  - Bake, Broil, Warm, Proof, Convection Bake, Convection Broil, Convection Roast
- Convection Recipe Conversion
- TFT Display
- Probe Cooking
- Sabbath Mode
- Bread Proofing
- Glass-Touch Electronic Controls
- Two Racks with Four Possible Positions
- 3,600W Broil Element
- Enameled Grill Set Included

### Warranty

- 2 Year Warranty (Parts and Labor)

### Available Finishes



Stainless Steel

Letter	Cutout Dimension (in.)	Undercounter (w/o Cooktop)	In Cabinet
A	Width	28 5/8"	28 5/8"
B	Height	27 1/2"	27 1/2"
C	Depth	24"	24"
D	Top of Cutout to Bottom of Upper Cabinet Door	N/A	11/2"
E	Bottom of Cutout to Floor	5 1/4"	32"
F	Bottom of Cutout to Top of Cabinet Door	N/A	11/2"
G	Overlap of Oven with Sides of Cutout	11/16"	11/16"

### Overall Packaging Details

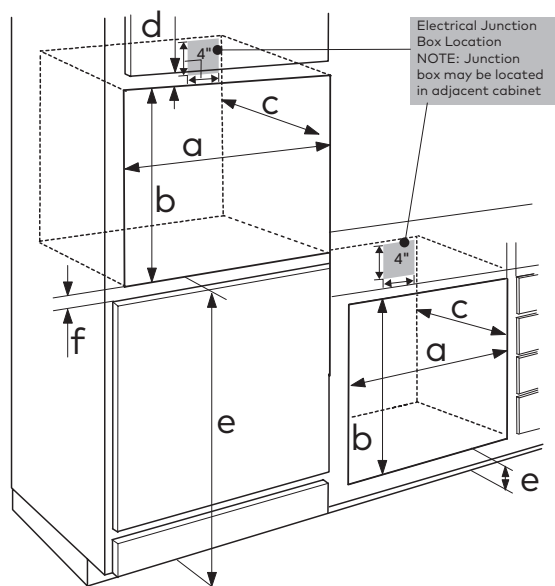
Packaging	<b>lb./in.</b>	
Gross Weight	181 lb.	
Dimensions	<b>W</b>	33 5/8"
	<b>D</b>	30 1/2"
	<b>H</b>	33 5/8"

### Power Requirements

Electrical Rating	208/240V, 60Hz
-------------------	----------------

### Product Technical Illustration

#### Single Oven - Installed in Cabinet and Installed Undercounter



### General Appliance Information

Please read all installation details and instructions before use.

### Contact Us

For questions regarding this product please refer to our website at [haieramerica.com](http://haieramerica.com) or call our customer service center at 877-337-3639.

