

# Haier

## 18.1 Cubic Foot ENERGY STAR® Top Mount Refrigerator

HRT18F2APP

Available



### Unit Specifications

|        |  |
|--------|--|
| Width  | 29.20"   |
| Depth  | 33"  |
| Height | 65.60"   |
| Weight | 195 lbs.   |
| UPC    | 688057309392 (White)<br>688057309408 (Black)<br>688057309415 (Stainless) |

### More Easy-To-Use Features

- Tri-Light LED Lighting
- Full Width Adjustable Spill Proof Glass
- Two Half Width Adjustable Spill Proof Glass
- Half Width Deli Drawer
- Two Clear Humidity Crispers
- Full Width Clear Gallon Bin
- Four Half Width Clear 2-Liter Bins
- Clear Dairy Bin
- Full Width Freezer Spill Proof Glass
- Full Width Freezer Clear Bin
- Two Half Width Freezer Clear Bins
- Factory Installed Icemaker
- Smooth Reversible Door
- Energy Star®
- Designed, Engineered and Assembled in the USA

### Signature Features

#### Three Levels of LED Lighting

Longer-lasting and uses less energy than incandescent lighting while providing clear bright light on your food items

#### Factory Installed Ice Maker

Provides the convenience of automatic ice at any moment

#### Adjustable Spill Proof Glass Shelves

Allows flexible storage solutions and hold liquid spills for easy cleanup

#### 4-Sided Clear Door Bins

Accommodates small to large items and contains spills while freeing up precious shelf space

### Warranty

- 1 Year Warranty (Parts and Labor)

- 5 Year Sealed System

### Available Finishes



HRT18F2APP



HRT18F2APE



HRT18F2APS



© 2016 Haier America Company, LLC. All Rights Reserved. Features and specifications are subject to change without prior notice.

[haieramerica.com](http://haieramerica.com)

| Letter | Cutout Dimension               | in.    |
|--------|--------------------------------|--------|
| A      | Width                          | 29.20" |
| B      | Height of Case (Without Hinge) | 65.0"  |
| C      | Height (With Hinge Cover)      | 65.60" |
| D      | Depth of Case (Without Door)   | 27.10" |
| E      | Depth (Without Handle)         | 30.50" |
| F      | Depth (With Handle)            | 33"    |
| G      | Depth (Door at 90°)            | 57.90" |

| Overall Packaging Details |         |        |
|---------------------------|---------|--------|
| Packaging                 | lb./in. |        |
| Gross Weight              | 208 lb. |        |
| Dimensions                | W       | 31.75" |
|                           | D       | 32.75" |
|                           | H       | 67.63" |

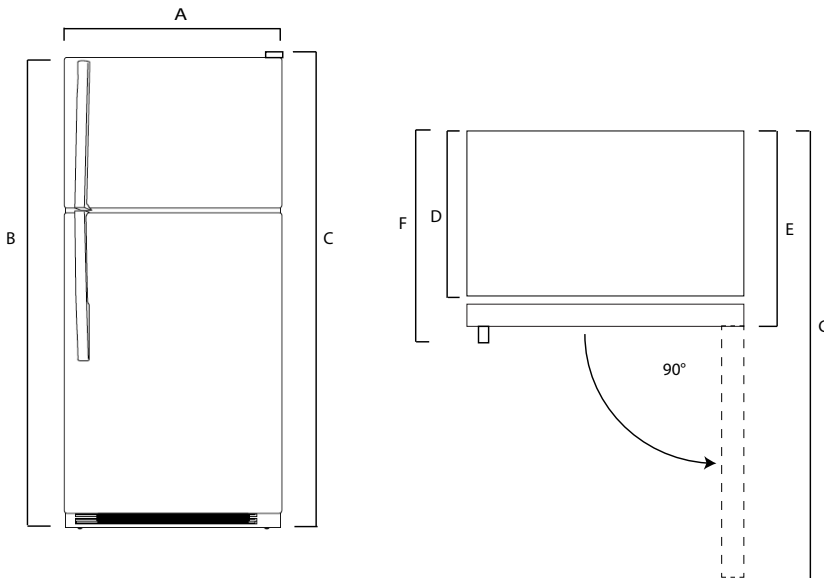
### Required Air Clearances

|       |    |
|-------|----|
| Top   | 1" |
| Back  | 2" |
| Sides | 1" |

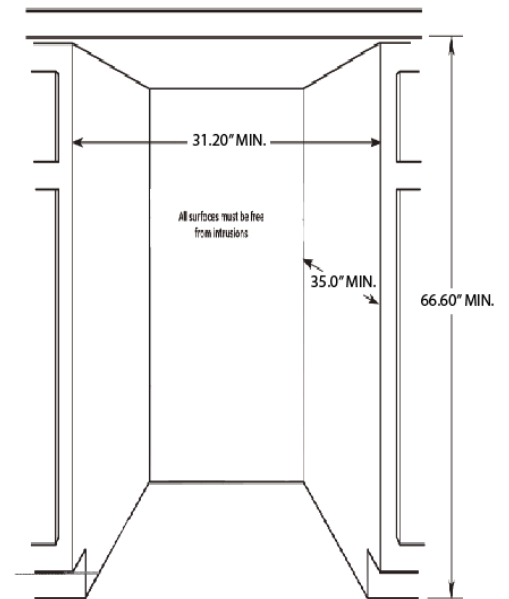
### Power/Ratings

|                   |            |
|-------------------|------------|
| Electrical Rating | 115V, 60Hz |
| Energy Use        | 452kWh     |

### Product Technical Illustration



### CABINET OPENING DIMENSIONS



### General Appliance Information

Please read all installation details and instructions before use.

### Contact Us

For questions regarding this product please refer to our website at [haieramerica.com](http://haieramerica.com) or call our customer service center at 877-337-3639.

