

## 18.1 Cubic Foot Top Mount Refrigerator

HRT18R2APP

Available



### Unit Specifications

Width	29.20"
Depth	33"
Height	65.60"
Weight	195 lbs.
UPC	688057309361 (White) 688057309378 (Black)

### More Easy-To-Use Features

- Tri-Light LED Lighting
- Full Width Adjustable Spill Proof Glass
- Clear Humidity Crispers
- Full Width Clear Gallon Bin
- Full Width Clear 2-Liter Bins
- Clear Dairy Bin
- Full Width Freezer Spill Proof Glass
- Full Width Clear Freezer Bins
- Ice Maker Ready
- Smooth Reversible
- ADA Compliant
- Designed, Engineered and Assembled in the USA

### Signature Features

#### LED Lighting

Longer-lasting and uses less energy than incandescent lighting while providing clear bright light on your food items

#### Clear Humidity Controlled Crispers

Provide the ideal environment for storing your fruits and vegetables while optimizing food preservation

#### Adjustable Spill Proof Glass Shelves

Allows flexible storage solutions and hold liquid spills for easy cleanup

#### 4-Sided Clear Door Bins

Accommodate small to large items and contain spills while freeing up precious shelf space

### Warranty

- 1 Year Warranty (Parts and Labor)
- 5 Year Sealed System

### Available Finishes



HRT18R2APP



HRT18R2APE

ADA

Letter	Cutout Dimension	in.
A	Width	29.20"
B	Height of Case (Without Hinge)	65.0"
C	Height (With Hinge Cover)	65.60"
D	Depth of Case (Without Door)	27.10"
E	Depth (Without Handle)	30.50"
F	Depth (With Handle)	33"
G	Depth (Door at 90°)	57.90"

### Overall Packaging Details

Packaging	lb./in.
Gross Weight	208 lb.
Dimensions	<b>W</b> 31.75"
	<b>D</b> 32.75"
	<b>H</b> 67.63"

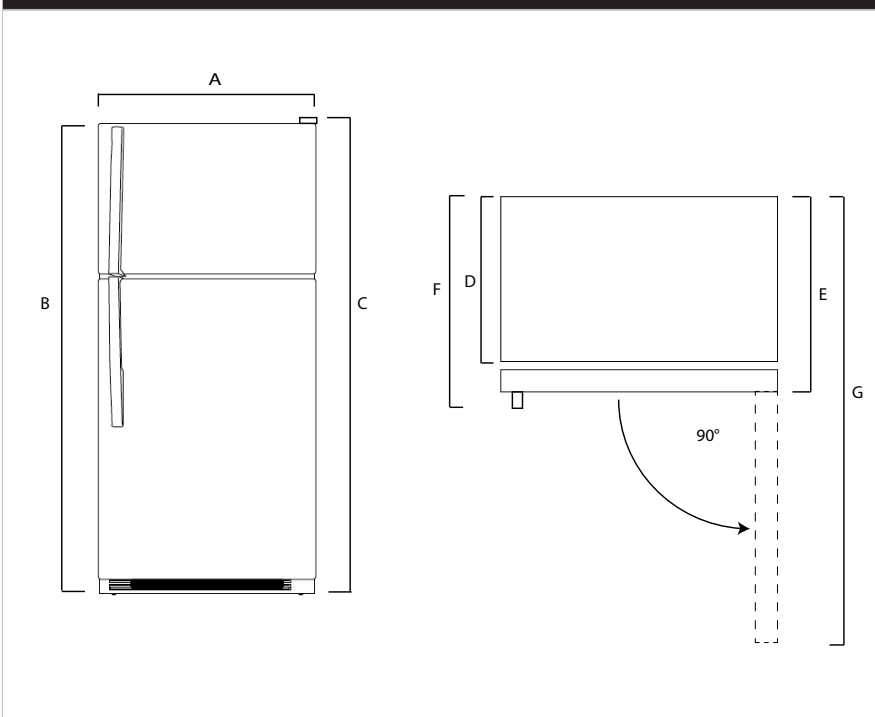
### Required Air Clearances

Top	1"
Back	2"
Sides	1"

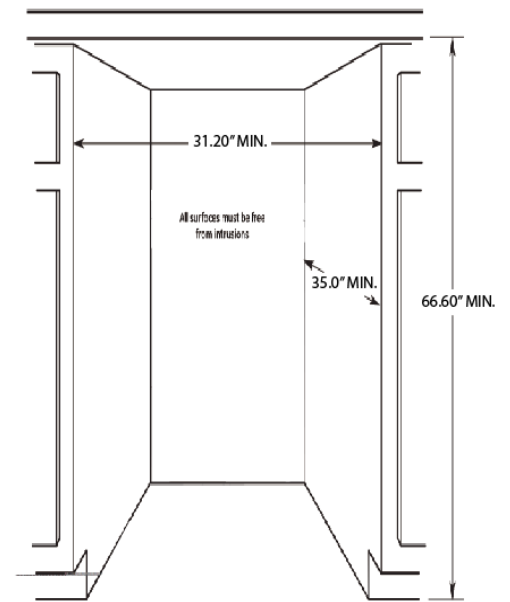
### Power/Ratings

Electrical Rating	115V, 60Hz
Energy Use	409kWh

### Product Technical Illustration



### CABINET OPENING DIMENSIONS



### General Appliance Information

Please read all installation details and instructions before use.

### Contact Us

For questions regarding this product please refer to our website at [haieramerica.com](http://haieramerica.com) or call our customer service center at 877-337-3639.

