

18.1 Cubic Foot Top-Mount Refrigerator

HRT18RCPW



Available Q1 2017

Unit Specifications

Width	29.2 "
Depth	33"
Height	65.60"
Weight	195 lbs.
UPC	688057309996 (White) 688057500003 (Black)

More Easy-To-Use Features

- Adjustable Spillproof Glass Shelves
- Clear Crispers
- Encapsulated Clear Door Bins
- Full-Width, Clear Gallon Bin and 2-Liter Bins
- Clear Dairy Bin
- Adjustable Wire Freezer Shelf
- Full-Width, Opaque Freezer Bins
- Ice-Maker-Ready

Warranty

- 1 Year Warranty (Parts and Labor)

Signature Features

Adjustable Spill-Proof Glass Shelves

Fridge and freezer shelves organize food storage and hold spills for easy clean up

Adjustable Wire Freezer Shelf

Provides the flexibility to organize your frozen food items

Available Finishes



HRT18RCPW



HRT18RCPB

Letter	Cutout Dimensions	in.
A	Width	29.2"
B	Height of Case (Without Hinge)	65.0"
C	Height (With Hinge Cover)	65.60"
D	Depth of Case (Without Door)	27"
E	Depth (Without Handle)	30.50"
F	Depth (With Handle)	33"
G	Depth (Door at 90°)	58"

Required Air Clearances

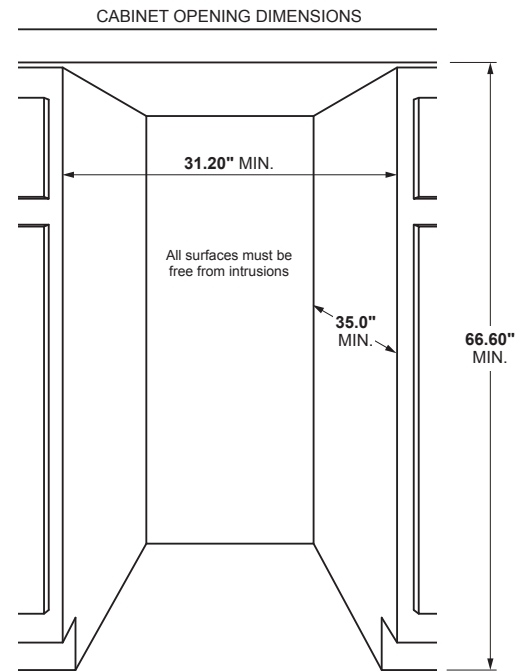
Top	1"
Back	2"
Sides	1"

Power/Ratings

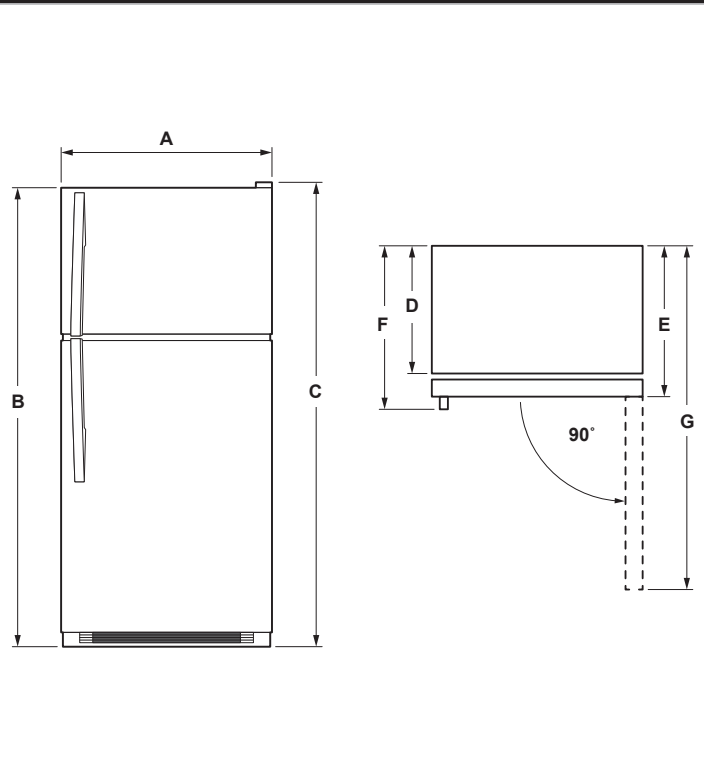
Electrical Rating	115V, 60Hz
-------------------	------------

Overall Packaging Details

Packaging	lb./in.	
Gross Weight	208 lbs.	
Dimensions	W	31.75"
	D	32.75"
	H	67.63"



Product Technical Illustration



General Appliance Information

Please read all installation details and instructions before use.

Contact Us

For questions regarding this product please refer to our website at haieramerica.com or call our customer service center at 877-337-3639.

