

15" Built-In or Freestanding Wine Cellar

HVCE15DBH



Signature Features

LED Electronic Control Display

Electronic temperature controls allow for precise temperature settings in one-degree increments

Glide Out Rack

Glide out racks allow for easier bottle removal and improved label viewing

Available

Unit Specifications

Width	14 7/8"
Depth	22 1/8"
Height	34 1/4"
Weight	94.8 lbs.
UPC	688057381664 (Black) 688057381589 (Stainless)

More Easy-To-Use Features

- 26 Bottle Capacity
- Electronic Temperature Control with LED Display
- Automatic Settings for Red and White Wines
- LED Display for Temperature Read-Out
- 5 Glide-Out Chrome Storage Racks with Wood Trim
- 1 Chrome Storage Bottom Rack
- Soft Interior Light
- Full-View Blue Gray Tint Double Pane Glass Door with Brushed Aluminum Door Trim
- Auto Door Stop
- Reversible Door
- Grip Handle

Limited Warranty

- 1 Year Warranty (Parts and Labor)

Available Finishes



HVCE15DBH



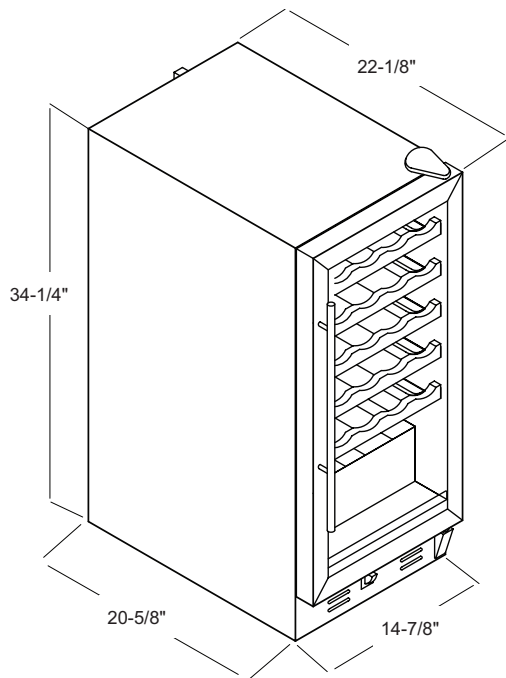
HVCE15BBH

Letter	Cutout Dimension	in.
A	Height	35"
B	Depth	24"
C	Width	15"

Overall Packaging Details	
Packaging	lb./in.
Gross Weight	105.8 lbs.
Dimensions	W 17 3/4"
	D 26 1/2"
	H 36 1/8"

Power Requirements	
Electrical Rating	115V, 60Hz

Product Technical Illustration



General Appliance Information

Please read all installation details and instructions before use.

Contact Us

For questions regarding this product please refer to our website at haieramerica.com or call our customer service center at 877-337-3639.

